

AVCO

Alloy Valves and Control

GATE VALVE 1226 SERIES



Size

1/2" - 2" Full Port
200 PSI

End Connections

NPT
Socket Weld

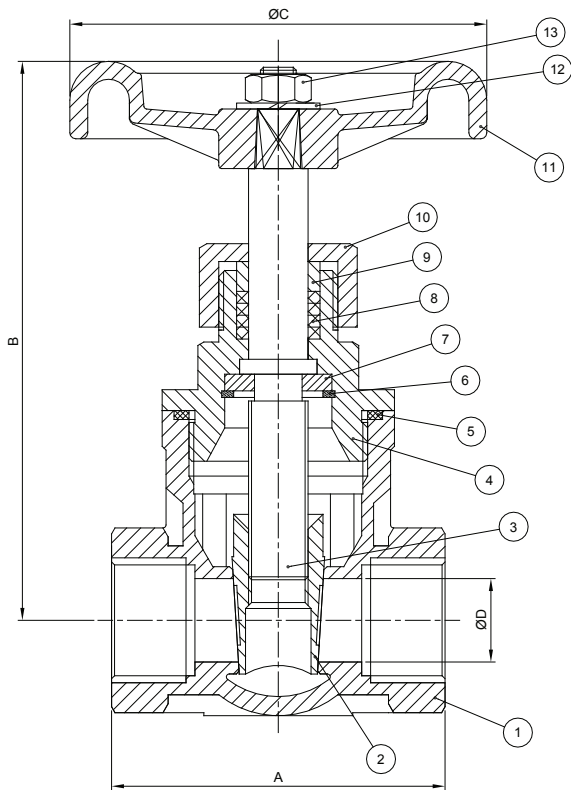
Valve Materials

316 Stainless Steel

Service Applications

Chemical
Dry/Liquid Chlorine
Food Processing
Hydraulic
Oxygen
Steam
Thermal Fluids
Vacuum
Water/Oil/Gas

Alloy Valves and Control



Features

Inside Screw & Screwed Bonnet
Wedge Type Disc
Intergrated Seats
Non-rising Stem
Hand Wheel
316 SS

Item	Parts	Material
1	Body	CF8M
2	Wedge Disc	CF8M
3	Stem	SS 304
4	Bonnet	CF8M
5	Bonnet Gasket	PTFE
6	Bushing	SS
7	Retainer Ring	SS
8	Packing	PTFE
9	Packing Gland	SS 304
10	Gland Nut	CF8M
11	Hand Wheel	CARBON STEEL
12	Washer	SS
13	Nut	SS

Size	1/2" (in)	3/4" (in)	1" (in)	1 1/4" (in)	1 1/2" (in)	2" (in)
A	2.17	2.28	2.56	2.87	3.00	3.54
B	3.90	4.13	4.53	5.12	5.79	6.61
C	2.80	2.80	2.80	3.07	3.82	4.21
D	0.59	0.79	0.98	1.26	1.57	1.97

HOW TO ORDER

2"	1	2	2	6
Size	Series	Pressure Rating	End Connection	Body Material
1/2" 3/4" 1" 1 1/4" 1 1/2" 2"	1-Gate valve	2-200 PSI	2-FNPT 3-SW	6-316 SS

Copyright © Alloy Valves and Control, Inc. All rights reserved. No Part of this brochure maybe used or reproduced in any manner whatsoever without written permission of AVCO.

This brochure is general in nature and manufacturer reserves the right to alter dimensions , Materials or make design improvements.

3210 S. Susan St, Santa Ana, CA 92704 Tel (714)427-0877 Fax (714) 427-6392 Web-site: www.avcovalve.com