

AVCO

Alloy Valves and Control

BALL VALVES 900 DM SERIES



Size

1/2" - 8" (Full Port)

End Connections

150# Flanged
PN16 Flanged

Valve Materials

Carbon Steel
316 Stainless Steel

Ball and Stem Materials

304 Stainless Steel
316 Stainless Steel

Seat Materials

15% Glass Filled Teflon

Direct Mount

ISO 5211 Compatible

Service Applications

Chemical
Food Processing
Oxygen
Steam
Thermal Fluids
Vacuum
Water/Oil/Gas

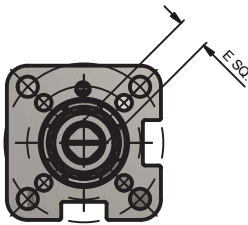
Applicable Standards

ASME B16.34
API 598
API 607
API 608
ISO 5211

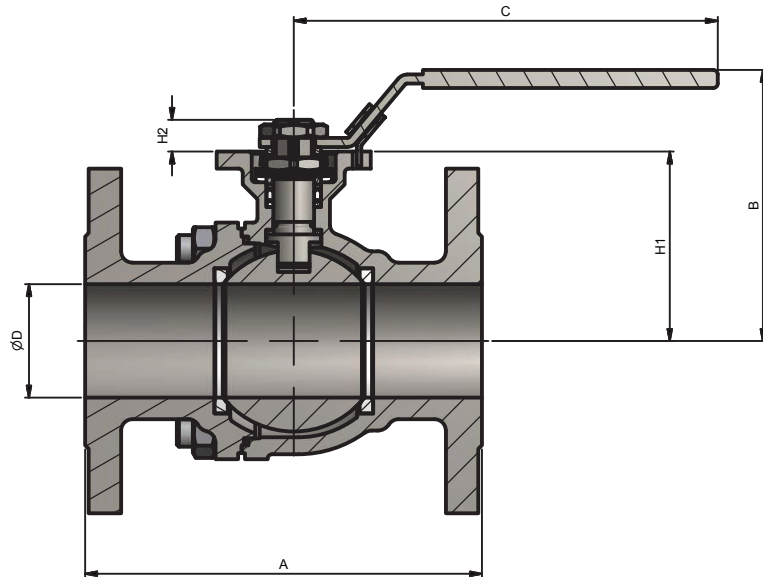
Alloy Valves and Control

1/2" THRU 8"

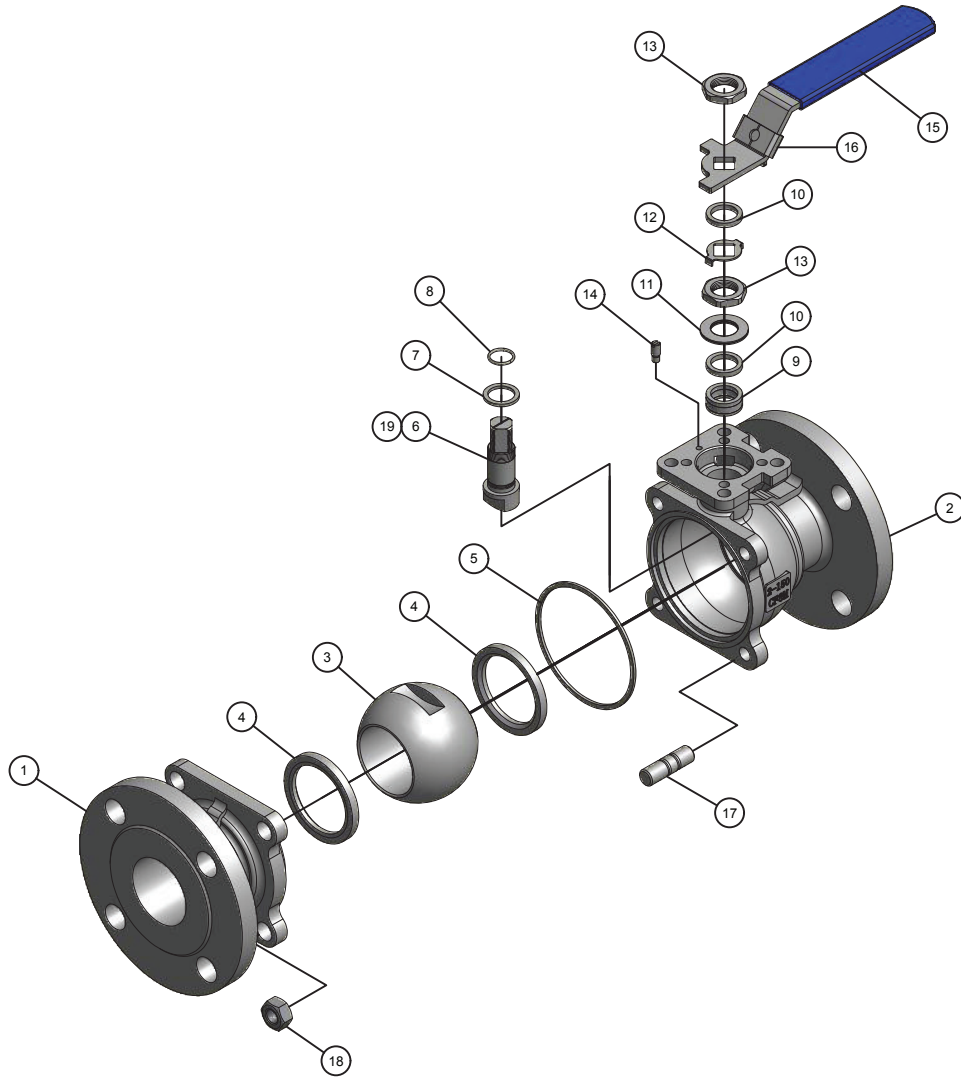
Full Port
150# & PN16 Flanged
ISO 5211 Direct Mount Pad
Adjustable Packing
Anti-Static
Blow-out Proof Stem
Locking Handle as Standard



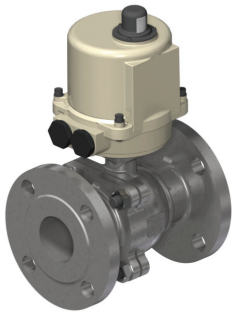
ISO Mounting Pad Detail



SIZE	A (mm)		B (mm)	C (mm)	D (mm)	E (mm)	H1 (mm)	H2 (mm)	ISO 5211
	150#	PN16							
1/2"	108	115	76	120	15	9	48.5	8	F03/F04
3/4"	117	120	81	120	20	9	53.5	8	F03/F04
1"	127	125	90	160	25	11	63.5	10	F04/F05
1 1/4"	140	130	102	160	32	11	71	10	F04/F05
1 1/2"	165	140	114.5	185	38	14	77.5	14	F05/F07
2"	178	150	122	185	50	14	85	14	F05/F07
2 1/2"	190	170	168	250	65	17	100	16	F07/F10
3"	203	180	178	250	78	17	110	16	F07/F10
4"	229	190	198	310	100	19	130	18	F07/F10
5"	356	325	234	500	125	22	165	23	F12/F14
6"	394	350	288	645	150	27	172	28	F12/F14
8"	457	400	376	900	200	27	260	28	F12/F14

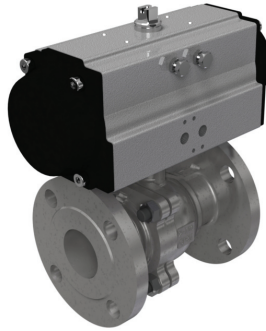


Item	Part	Carbon Steel	Stainless Steel	Item	Part	Carbon Steel	Stainless Steel
1	End Cap	WCB	CF8M	13	Stem Nut	304 SS	304 SS
2	Body	WCB	CF8M	14	Stop Pin	304 SS	304 SS
3	Ball	304 SS	316 SS	15	Handle/Sleeve	304 SS/Plastic	304 SS/Plastic
4	Seat	15% Glass Filled PTFE	15% Glass Filled PTFE	16	Handle Lock	304 SS	304 SS
5	Body Seal	PTFE	PTFE	17	Body Stud	ASTM A193-B8	ASTM A193-B8
6	Stem	304 SS	316 SS	18	Body Nut	ASTM A194-8	ASTM A194-8
7	Thrust Washer	PTFE	PTFE	19	Anti-Static Device	304 SS	304 SS
8	O-Ring	Viton	Viton				
9	Packing	PTFE	PTFE				
10	Gland Ring	304 SS	304 SS				
11	Disc Spring Washer	304 SS	304 SS				
12	Lock Washer	304 SS	304 SS				



Electric Actuator

120/230 VAC
12/24 VDC
NEMA 4/7
Positioners 4-20 mA
Reversing
Telemetry
Battery Back-up
Spring Return



Pneumatic Actuator

Double Acting
Spring Return
Solenoid Valves
Limit Switches
Positioners 3-15 PSI
Positioners 4-20 mA
Intelligent Positioner
Dec clutchable Manual Override



Manual Valves

Spring Return
Stem Extensions
Fusible Link
Lock Device
Gear Operators

HOW TO ORDER

9	3	3	R	T	150	100
Series	Body & End Material	Ball & Stem Material	Seat Material	Seal Material	End Style	Size
900 Series 2 Piece Direct Mount Economy Full Port Flanged Ball Valve	1 - Carbon Steel 3 - 316 SS	3 - Stainless Steel	R - 15% Glass PTFE	T - Teflon (PTFE)	150 - 150# Flange PN16 - PN16 Flange	050 - 1/2" 075 - 3/4" 100 - 1" 125 - 1 1/4" 150 - 1 1/2" 200 - 2" 250 - 2 1/2" 300 - 3" 400 - 4" 500 - 5" 600 - 6" 800 - 8"

Copyright © 2016 Alloy Valves and Control Inc. All rights reserved. No part of this brochure may be used or reproduced in any manner whatsoever without written permission from AVCO

This brochure is general in nature and we reserve the right to alter dimensions, materials or make design improvements.