

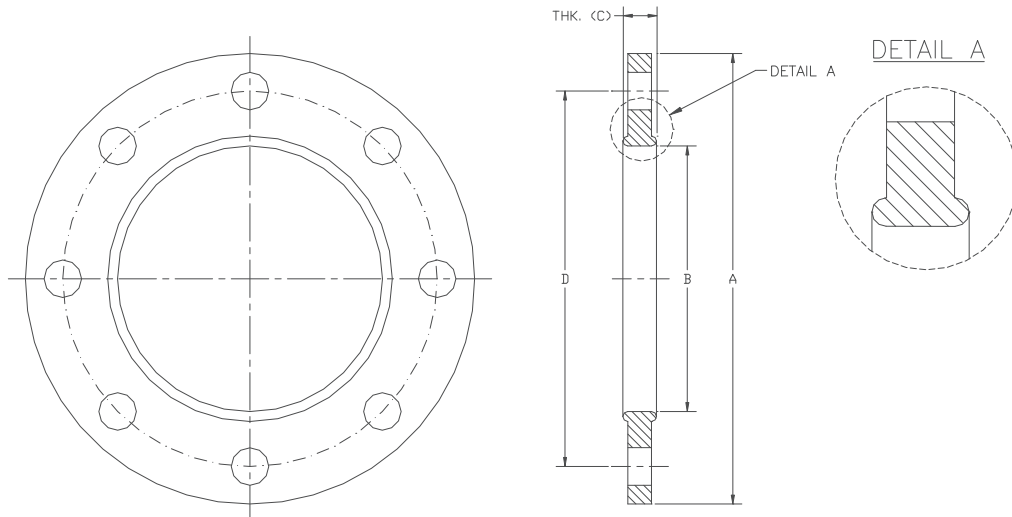


KC Multi-Ring Products, Inc.
"Sealing today's leaks with tomorrow's technology"

ANSI—Springer™ Steel Backing Flange

For use with non-metallic Metric piping (PVDF, polypropylene, etc.), IR Butt-Weld and Socket Fusion Type Flange Adapter. * Bolt holes drilled in accordance with ANSI B16.5 class150 bolt pattern. (Requires the use of hardened SAE washers.)

Pipe Size mm	Pipe Size * inches	Part #	A	B	C	D	Bolt Holes	
							Number	Dia. In.
20	1/2"	ACS.F02.0CS	3.50	1.100	0.545	2.375	4	0.625
25	3/4"	ACS.F02.5CS	3.88	1.308	0.545	2.750	4	0.625
32	1"	ACS.F03.2CS	4.25	1.638	0.545	3.125	4	0.625
40	1-1/4"	ACS.F04.0CS	4.63	1.988	0.545	3.500	4	0.625
50	1-1/2"	ACS.F05.0CS	5.00	2.440	0.660	3.875	4	0.625
63	2"	ACS.F06.3CS	6.00	3.030	0.685	4.750	4	0.750
75	2-1/2"	ACS.F07.5CS	7.00	3.600	0.685	5.500	4	0.750
90	3"	ACS.F09.0CS	7.50	4.340	0.685	6.000	4	0.750
110	4"	ACS.F11.0CS	9.00	5.170	0.760	7.500	8	0.750
125	5"	ACS.F12.5CS	9.00	5.294	0.760	7.500	8	0.750
160	6"	ACS.F16.0CS	11.00	6.950	0.810	9.500	8	0.875
200	8"	ACS.F20.0CS	13.50	9.230	0.910	11.750	8	0.875
225	8"	ACS.F22.5CS	13.50	9.350	0.910	11.750	8	0.875
250	10"	ACS.F25.0CS	16.00	11.250	0.935	14.250	12	1.000
315	12"	ACS.F31.5CS	19.00	13.300	1.060	17.000	12	1.000
355	14"	ACS.F35.5CS	21.00	14.810	1.185	18.750	12	1.125
400	16"	ACS.F40.0CS	23.50	16.900	1.310	21.250	16	1.125
450	20"	ACS.F45.0CS	27.50	20.340	1.435	25.000	20	1.250
500	20"	ACS.F50.0CS	27.50	20.990	1.560	25.000	20	1.250



Backward compatible with beveled style rings.

SAMPLE SPECIFICATION
Patented KC Multi-Ring® thermoplastic-coated AC backing rings, KC Multi-Ring Products, Inc., sole source.
ANSI class 150 bolt pattern.

Our backing flanges are covered under US Patent #5,716,083 and Others Pending. Contact KC Multi-Ring Products, Inc. for sizes and materials not listed.