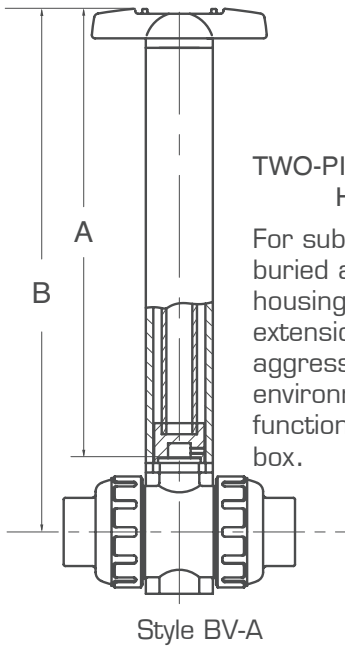
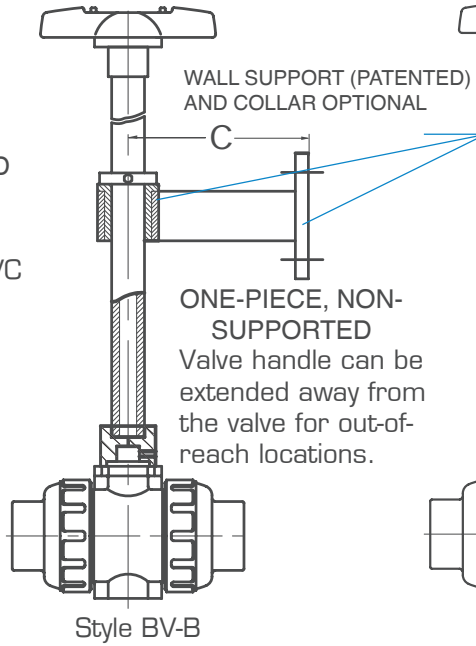


Ball Valve Stem Extensions and Options

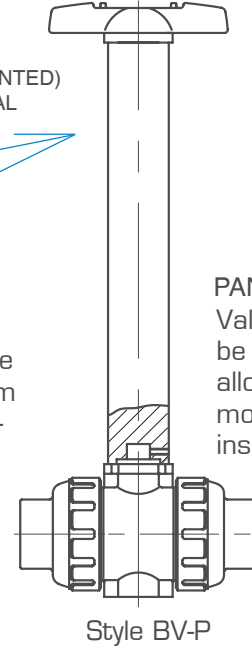
Stem Extensions



TWO-PIECE STEM AND HOUSING
For submerged or buried applications. PVC housing protects stem extensions from aggressive environments or functions as a valve box.



ONE-PIECE, NON-SUPPORTED
Valve handle can be extended away from the valve for out-of-reach locations.



PANEL MOUNT
Valve handle can be extended to allow for panel mount and pipe insulation

All stem extension tolerances +/- 1 inch

Please use Stem Extension Work Sheet on Page 21 when ordering any stem extension Panel Mount

P-Series Manual Limit Switch

VALVE HANDLE IS EXTENDED FOR PANEL MOUNT (STYLE BV-P) APPLICATION. PLEASE SPECIFY LENGTH OF EXTENSION
1/2"-3" MIN LENGTH IS 2"
2-1/2"-3" MIN LENGTH IS 4"
12" MAX. LENGTH.



COMPACT TYPE 4X LIMIT SWITCH FOR REMOTE POSITION INDICATION OF MANUAL VALVES. INCLUDES 2-SPDT MECHANICAL SWITCHES, TERMINAL STRIP, VISUAL BEACON, ENCLOSURE, FACTORY MOUNT AND TESTING.



Remote Operating Nuts

2" SQUARE OPERATING NUTS OR "T" OPERATING NUTS MAY BE INSTALLED ON ANY BALL VALVE. THEY ARE USED FOR REMOTE OPERATION OF A VALVE WITH AN EXTENDED WRENCH.



Westlock Manual Limit Switch

TYPE 4X OR 7 LIMIT SWITCH FOR REMOTE POSITION INDICATION OF MANUAL VALVES INCLUDES 2-SPDT MECHANICAL SWITCHES, TERMINAL STRIP, VISUAL BEACON, ENCLOSURE, FACTORY MOUNTING & TESTING.



Stem Extensions Data Sheet

Stem Extension Work Sheet

Please copy this sheet and send it to us at 800-787-6861 with every stem extension order.

1. Customer Name _____ Order No. _____

2. Valve Size _____

Ball Valves Type-21 Type-23

Butterfly Valves Type-57 Type-56 Type-75
 Lever or Gear

Diaphragm Valves Type-14 Type-15 Type G

Gate Valves

3. Extension Style Letter _____

4. Extension Length _____ft. _____ in.
Dimension A or B

5. Special Instructions

No Stem Extension Orders will be processed without completed Stem Extension Work Sheet.

Note: All actuator extensions will be measured from the bottom of the actuator for Dimension A or Dimension B.

All stem extensions except Panel Mount extensions are +/- 1" on overall length.
Panel Mount extensions are +/- 1/4"