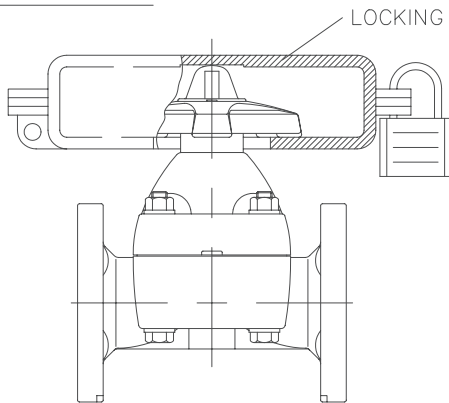
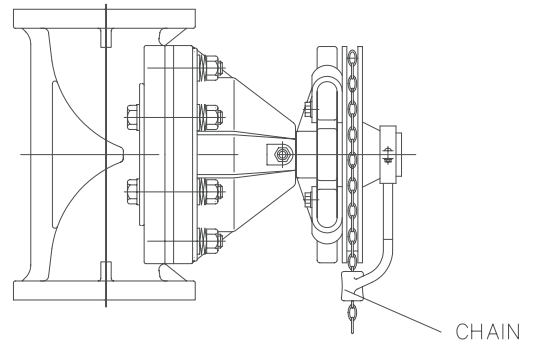


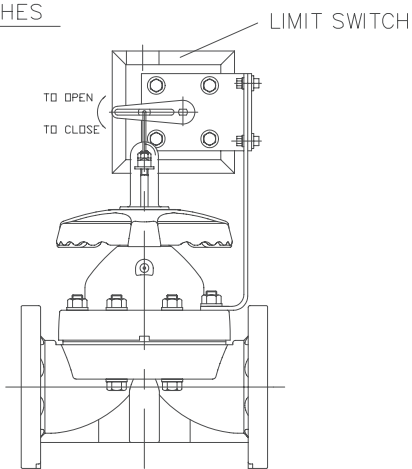
□ LOCKING HANDLES



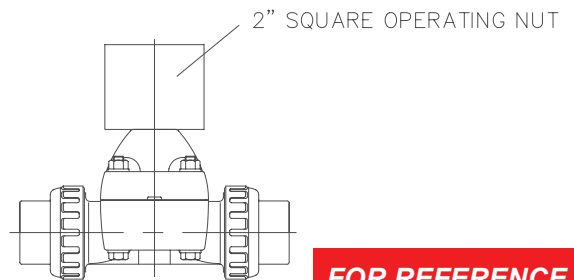
□ CHAIN OPERATORS



□ LIMIT SWITCHES




□ OPERATING NUT



FOR REFERENCE ONLY
ASAHI/AMERICA

NOTE. The shape and appearance of assembly differ a little with nominal size compared to this drawing.

THIS DRAWING AND ALL INFORMATION HEREON IS THE PROPERTY OF ASAHI/AMERICA. ANY COPYING, REPRODUCTION OR UNAUTHORIZED USE IS FORBIDDEN WITHOUT WRITTEN CONSENT.		ASAHI/AMERICA ISO 9001 CERTIFIED 35 GREEN STREET, P.O. BOX 653, MALDEN, MA.											
<table border="1"> <thead> <tr> <th>NAME</th> <th>DATE</th> </tr> </thead> <tbody> <tr> <td>DR KENICHI MIYAZAKI</td> <td>9/27/01</td> </tr> <tr> <td>APPD DAVE HURLEY</td> <td>9/27/01</td> </tr> <tr> <td>PROD LEO LESTER</td> <td>9/27/01</td> </tr> </tbody> </table>		NAME	DATE	DR KENICHI MIYAZAKI	9/27/01	APPD DAVE HURLEY	9/27/01	PROD LEO LESTER	9/27/01	DIAPHRAGM VALVE REMOTE OPERATORS 1/2" THRU. 10"		SIZE	REV
NAME	DATE												
DR KENICHI MIYAZAKI	9/27/01												
APPD DAVE HURLEY	9/27/01												
PROD LEO LESTER	9/27/01												
WO#/SO# FILE		A	DWG. NO. 0068DI	A									
SCALE NTS			SHEET 1 OF 1										