



**Wafer Check Valves**

**Specifications**

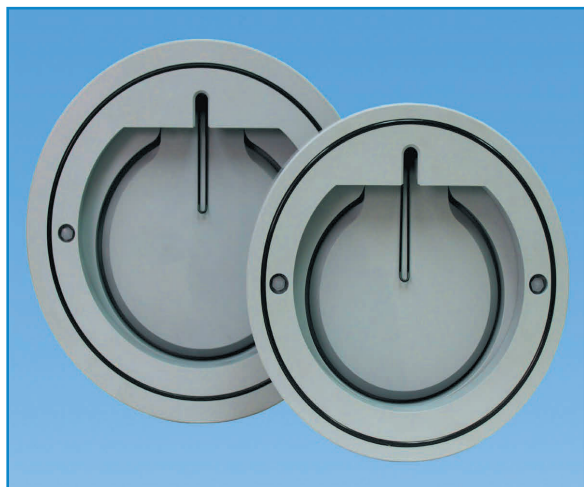
**Size Range:** 3" - 12"  
**Models:** Wafer Style ANSI  
**Bodies:** PVC  
**Seals:** EPDM or FKM

**Standard Features (Sizes 3" - 12")**

- PVC body with EPDM or FKM seals
- Slim profile permits easy installation
- Wafer style fits between two mating flanges
- Face-to-face meets ASME/ANSI B16.10
- No spacer required
- No pipe interference with disc
- Vertical or horizontal installation
- No external shaft
- Excellent chemical resistance
- Max pressure:       150psi 3"-8"  
                              85psi 10" and 12"
- Max temperature: 120°F

**Options**

- SWP-B (stainless steel) spring ETFE coated
- DIN or JIS bolt pattern



**Parts List (Sizes 3" - 12")**

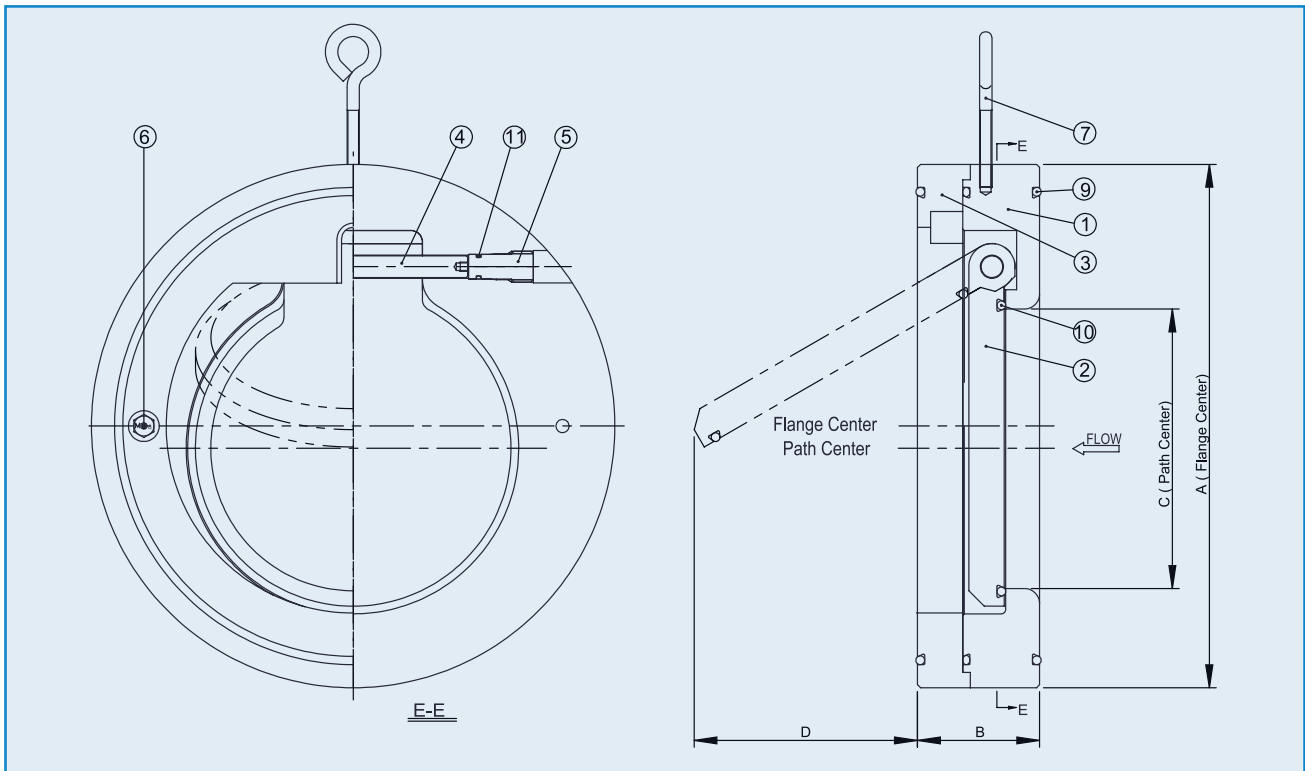
PARTS			
NO.	DESCRIPTION	PCS.	MATERIAL
1	Body	1	PVC
2	Disc	1	PVC
3	Stopper	1	PVC
4	Shaft	1	PVC
5	Shaft Plug	1	PVC
6	AV Bolt	2	PVC
7	I Bolt	1	SS400
8*	Spring	1	SWP-B W/ETFE Coating
9	O-Ring (A)	3	EPDM/FKM
10	O-Ring (B)	1	EPDM/FKM
11	O-Ring (C)	1	EPDM/FKM

\* Item # 8 used on spring type valve only.

**Sample Specification**

All wafer check valves shall be of solid thermoplastic construction, having no metal that comes in contact with the media. Valves shall incorporate a single disc design suitable for either horizontal or vertical installations. Valves shall be wafer style conforming to ASME/ANSI B16.1 face-to-face dimensions for 150 lb. flanges. Valves shall be round body design with all O-ring seals of either EPDM or FKM and accept as an option an SWP-B ETFE coated spring for use in vertical applications. PVC shall conform to ASTM D1784 Cell Classification 12454. Valves shall be rated to 150psi (3"- 8") and 85psi (10" and 12") at 70° F, as manufactured by Asahi/America, Inc.

# Wafer Check Valve



**Dimensions (in.)**

**Pressure vs. Temperature Weights (lbs.)**  
(psi. water. non-shock)

NOMINAL SIZE		Wafer ANSI Class 150			
INCH	mm	A	B	C	D
3	80	5.67	2.00	1.85	1.37
4	100	6.89	2.24	2.05	1.89
6	150	8.74	2.76	3.62	3.02
8	200	10.98	2.87	5.20	4.80
10	250	13.39	3.12	6.97	6.45
12	300	16.14	3.38	8.54	7.67

NOMINAL SIZE		PVC EPDM/FKM 30 F - 120 F
INCH	mm	
3	80	150
4	100	150
6	150	150
8	200	150
10	250	85
12	300	85

NOMINAL SIZE		WT (LBS.)
INCH	mm	
3	80	2
4	100	4
6	150	6
8	200	10
10	250	16
12	300	25

Note: Dimensions are identical for spring type.

## Minimum Opening Pressures Minimum Sealing Pressures Cv Values

NOMINAL SIZE		Minimum Opening Pressures (PSI)			
		Without Spring		With Spring	
INCH	MM	Horizontal	Vertical	Horizontal	Vertical
3	80	0.01	0.1	0.01	0.2
4	100	0.01	0.1	0.01	0.2
6	150	0.01	0.1	0.01	0.2
8	200	0.01	0.1	0.01	0.2
10	250	0.01	0.1	0.01	0.2
12	300	0.01	0.1	0.01	0.2

NOMINAL SIZE		Minimum Sealing Pressures (PSI)			
		Without Spring		With Spring	
INCH	MM	Horizontal	Vertical	Horizontal	Vertical
3	80	3.0	3.0	3.0	3.0
4	100	1.0	1.0	1.0	1.0
6	150	1.0	1.0	1.0	1.0
8	200	1.0	1.0	1.0	1.0
10	250	1.0	1.0	1.0	1.0
12	300	1.0	1.0	1.0	1.0

NOMINAL SIZE		Cv
INCH	mm	
3	80	137
4	100	200
6	150	663
8	200	1225
10	250	1750
12	300	2620