

# CONNECT WITH CONFIDENCE™

CATALOG #58 EFFECTIVE OCTOBER 31, 2016

2017



# CONNECT WITH

## FEATURES

- Heavy-duty glass reinforced polypropylene.
- Clear or black polypropylene bowl.
- Polypropylene ribbed 316 stainless steel screens.
- EPDM gaskets standard.
- Convenient color coded screens for easy mesh size identification. (Refer to chart below)



MINI T STRAINER			
PART NO	DESCRIPTION	MAX PSI	QTY
LSTM050-30	1/2" Mini T Strainer w/Black Bowl 30 Mesh	200	1
LSTM050-50	1/2" Mini T Strainer w/Black Bowl 50 Mesh	200	1
LSTM050-80	1/2" Mini T Strainer w/Black Bowl 80 Mesh	200	1
LSTM050-100	1/2" Mini T Strainer w/Black Bowl 100 Mesh	200	1
LSTM075-30	3/4" Mini T Strainer w/Black Bowl 30 Mesh	200	1
LSTM075-50	3/4" Mini T Strainer w/Black Bowl 50 Mesh	200	1
LSTM075-80	3/4" Mini T Strainer w/Black Bowl 80 Mesh	200	1
LSTM075-100	3/4" Mini T Strainer w/Black Bowl 80 Mesh	200	1

MINI T STRAINER W/CLEAR BOWLS			
PART NO	DESCRIPTION	MAX PSI	QTY
LSTM050-30C	1/2" Mini T Strainer w/Clear Bowl 30 Mesh	200	1
LSTM050-50C	1/2" Mini T Strainer w/Clear Bowl 50 Mesh	200	1
LSTM050-80C	3/4" Mini T Strainer w/Clear Bowl 80 Mesh	200	1
LSTM050-100C	3/4" Mini T Strainer w/Clear Bowl 100 Mesh	200	1
LSTM075-30C	3/4" Mini T Strainer w/Clear Bowl 30 Mesh	200	1
LSTM075-50C	3/4" Mini T Strainer w/Clear Bowl 50 Mesh	200	1
LSTM075-80C	3/4" Mini T Strainer w/Clear Bowl 80 Mesh	200	1
LSTM075-100C	3/4" Mini T Strainer w/Clear Bowl 80 Mesh	200	1

## FEATURES

- Made of steel tube construction for stability.
- Powder coated finish for durability.



2" PUMP ROLL CAGE		
PART NO	DESCRIPTION	QTY
PRC200	Pump Roll Cage fits all 2" Poly Pumps	1

MANIFOLD MINI T STRAINERS			
PART NO	DESCRIPTION	MAX PSI	QTY
MLSTM100-30	1" Manifold Mini T Strainer 30 Mesh	300	1
MLSTM100-50	1" Manifold Mini T Strainer 50 Mesh	300	1
MLSTM100-80	1" Manifold Mini T Strainer 80 Mesh	300	1
MLSTM100-100	1" Manifold Mini T Strainer 100 Mesh	300	1

MANIFOLD MINI T STRAINER W/CLEAR BOWLS			
PART NO	DESCRIPTION	MAX PSI	QTY
MLSTM100-30C	1" Manifold Mini T Strainer w/Clear Bowl 30 Mesh	300	1
MLSTM100-50C	1" Manifold Mini T Strainer w/Clear Bowl 50 Mesh	300	1
MLSTM100-80C	1" Manifold Mini T Strainer w/Clear Bowl 80 Mesh	300	1
MLSTM100-100C	1" Manifold Mini T Strainer w/Clear Bowl 100 Mesh	300	1

SCREENS	
MESH SIZE	RIB COLOR
30 MESH	FLAME RED
50 MESH	GENETIAN BLUE
80 MESH	ZINC YELLOW
100 MESH	TRAFFIC GREEN

## FEATURES

- Stainless steel bolts.
- Glass reinforced polypropylene.
- All PTFE seals.



DRY POPPET STUBBY VALVE			
PART NO	DESCRIPTION	MAX PSI	QTY
VSMT200DPC	2" NPT x 1" Dry Poppet Stubby Valve	100	1



# CONFIDENCE™

## FEATURES

- Durable cast iron construction.
- Dynamically balanced impeller.
- Replaceable inlet and outlet flanges.
- Graphite loaded silicon carbide seal with stainless steel cup and spring with FKM (viton type) rubber.
- Pump end separated from engine.
- Large weep holes between pump end and engine.
- "V" Shaped for quicker priming.

**CAUTION-WARNING:** Please do not run pump dry, restrict or reduce port sizes, or dead head pump. This could cause component failure to pump.

**DO NOT USE WITH FLAMMABLE LIQUIDS.**



333 SERIES CAST IRON PUMP ONLY C-FACE ADAPTER			
PART NO	DESCRIPTION	HP	QTY
333POICF	3" Cast Iron Pump Only w/1 3/8" Shaft & 5 Vane Impeller Unassembled for 215TC Frame	N/A	1



316 SS HOSE BARB THREADED TEE			
PART NO	DESCRIPTION	MAX PSI	QTY
HBT075-050SS	3/4" Hose Barb x 3/4" Hose Barb x 1/2" Male Thread Hose Barb Tee	300	1

## FEATURES

- One piece construction.
- 5 lb spring.
- Glass reinforced polypropylene.
- 316 stainless steel springs.
- EPDM gasket.



CHECK VALVES				
PART NO	DESCRIPTION	MAX PSI	PIPE SIZE	QTY
CV050	1/2" Check Valve	300	1/2"	1

## FEATURES

- 12 Volt DC operated.
- 3 Second per quarter turn cycle time.
- FKM (viton type) seals.
- PTFE self-lubricating stem bushings and seats cannot stick or bind.
- Precision molded in polypropylene. Polypropylene is reinforced with fiberglass for additional strength.
- Self-aligning ball moves freely against the PTFE seats for smooth operation. The valve opens and closes with very little pressure on the handle.
- Stainless steel ball and stem.



MANIFOLD BOLTED 5 WAY ELECTRIC VALVE					
PART NO	DESCRIPTION	MAX PSI	PIPE SIZE	OPENING THRU BALL	QTY
MEV225CF	2" Full Port Electric Flange 5 Way Valve	300	2"	2"	1

# INDEX

VALVES



ELECTRIC VALVES



MANIFOLD FLANGE CONNECTIONS



DRY-DISCONNECTS



IBC/TANK ACC.



IBC/TANK ACCESSORIES



CAM LEVER COUPLINGS



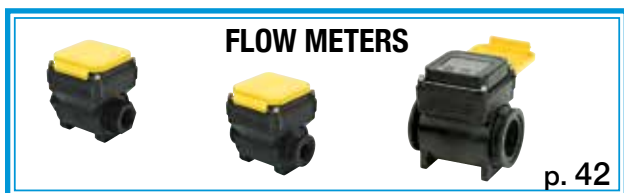
PIPE FITTINGS



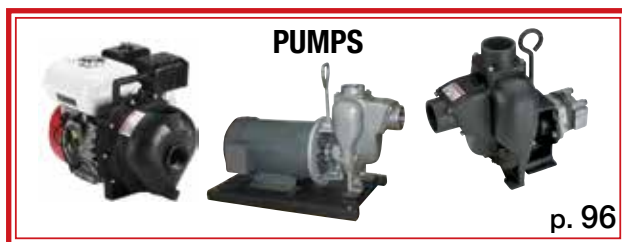
PIPE FITTINGS



LINE STRAINERS



PUMPS





## FEATURES

- 90° rotating handle.
- Precision molded polypropylene is reinforced with fiberglass for additional strength.
- Standard FKM (viton type) seats and O-rings.



LV050SLV



LV038MTV

LV038050MTV

LV050100MTV

POLY MICRO VALVES					
PART NO	DESCRIPTION	MAX PSI	THREAD SIZE	OPENING THRU BALL	QTY
LV025V	1/4" Female NPT Micro Valve	300	1/4"	3/8"	1
LV038V	3/8" Female NPT Micro Valve	300	3/8"	3/8"	1
LV050V	1/2" Female NPT Micro Valve	300	1/2"	15/32"	1
LV050SLV	1/2" Side Load Micro Valve	300	1/2"	1/2"	1

POLY MICRO VALVES					
PART NO	DESCRIPTION	MAX PSI	THREAD SIZE	OPENING THRU BALL	QTY
LV025MTV	1/4" Female x Male NPT Micro Valve	300	1/4"	3/8"	1
LV038MTV	3/8" Female x Male NPT Micro Valve	300	3/8"	3/8"	1
LV038050MTV	3/8" Female x 1/2" Male NPT Micro Valve	300	3/8"x1/2"	3/8"	1
LV050MTV	1/2" Female x Male NPT Micro Valve	300	1/2"	15/32"	1
LV050100MTV	1/2" Female x 1" Male NPT Micro Valve	300	1/2"	15/32"	1



POLY MICRO VALVES					
PART NO	DESCRIPTION	MAX PSI	THREAD SIZE	OPENING THRU BALL	QTY
LVHB025V	1/4" Hose Barb Micro Valve	300	1/4"	3/8"	1
LVHB038V	3/8" Hose Barb Micro Valve	300	3/8"	3/8"	1
LVHB050V	1/2" Hose Barb Micro Valve	300	1/2"	3/8"	1
LVHB075V	3/4" Hose Barb Micro Valve	300	3/4"	15/32"	1



LVHB038050MTV

LVHB075MTV

LVHB075100MTV



The brand "John Guest" is a registered trademark of John Guest International Limited.



POLY MICRO VALVES					
PART NO	DESCRIPTION	MAX PSI	THREAD SIZE	OPENING THRU BALL	QTY
LVPL025V	1/4" Female Push Lock Micro Valve	150	1/4"	3/8"	1
LVPL038V	3/8" Female Push Lock Micro Valve	150	3/8"	3/8"	1
LVPL050V	1/2" Female Push Lock Micro Valve	150	1/2"	15/32"	1

POLY MICRO VALVES					
PART NO	DESCRIPTION	MAX PSI	THREAD SIZE	OPENING THRU BALL	QTY
LVHB038050MTV	3/8" Hose Barb x 1/2" Male NPT Micro Valve	300	1/2"	3/8"	1
LVHB075MTV	3/4" Hose Barb x 3/4" Male NPT Micro Valve	300	3/4"	1/2"	1
LVHB075100MTV	3/4" Hose Barb x 1" Male NPT Micro Valve	300	1"	15/32"	1



MLV100V

POLY MANIFOLD MICRO VALVES					
PART NO	DESCRIPTION	MAX PSI	FLANGE SIZE	OPENING THRU BALL	QTY
MLV100V	1" Manifold Micro Valve	300	1"	1/2"	1

# Polypropylene Bolted Ball Valves

## FEATURES

- FKM (viton type) seals.
- Precision molded polypropylene is reinforced with fiberglass for additional strength.
- Self-aligning ball moves freely against the PTFE seats for smooth operation. The valve opens and closes with very little pressure on the handle.
- Ball is diamond turned, after molding, to make it spherically perfect, which provides precise contact between ball and seats.
- PTFE self-lubricating stem bushings and seats cannot stick or bind.
- Stainless steel bolts.



4 BOLT VALVES							
PART NO	DESCRIPTION	MAX PSI	PIPE SIZE	OPENING THRU BALL	QTY	HANDLE REPLACEMENT	REPAIR KIT
V050	1/2" Full Port Valve	300	1/2"	3/4"	24/box	V10153A	V07200
V075	3/4" Full Port Valve	300	3/4"	3/4"	24/box	V10153A	V07200
V100	1" Standard Port Valve	225	1"	3/4"	24/box	V10153A	V07200
V100FP	1" Full Port Valve	300	1"	1"	24/box	V10153A	V10200
V125	1 1/4" Standard Port Valve	300	1 1/4"	1"	24/box	V10153A	V10200
V125FP	1 1/4" Full Port Valve	225	1 1/4"	1 1/2"	24/box	V20153	V20200
V150	1 1/2" Full Port Valve	225	1 1/2"	1 1/2"	24/box	V20153	V20200
V200	2" Standard Port Valve	225	2"	1 1/2"	24/box	V20153	V20200

## FEATURES FOR LOCKING DEVICE

- 304 Stainless steel construction.
- Installs under valve handle.
- Comes complete with handle and locking device.
- Padlock not included\*

*For faster shipping, order in box quantities.*

VALVE REPAIR KIT INCLUDES:		
1 Ball	2 Body O-Rings	1 Thrust Washer
2 Ball Seats	1 Upper Stem Bushing	1 Stem O-Ring



VL20153

LOCKING DEVICE			
PART NO	DESCRIPTION	VALVE USED	QTY
VL20153	Locking Device	V125FP, V150 & V200	1

## FEATURES FOR MOUNTING BRACKETS

- 316 Stainless steel construction.
- Straight and 90° available.



MOUNTING BRACKETS			
PART NO	DESCRIPTION	VALVE USED	QTY
V10270	Straight Mounting Bracket	V100FP & V125	1
V10271	90° Mounting Bracket	V100FP & V125	1
V25270	Straight Mounting Bracket	V125FP, V150 & V200	1
V25271	90° Mounting Bracket	V125FP, V150 & V200	1



HANDLE RISERS			
PART NO	DESCRIPTION	VALVE USED	QTY
V10153138BL	1" x 1 3/8" Handle Offset	V075BL & V100BL	1
V10153138	1" x 1 3/8" Handle Offset	V100FP, V125, V075SL & V100SL	1
V20153138BL	2" x 1 3/8" Handle Offset	MV200BL, V125BL & V150BL	1
V20153138	2" x 1 3/8" Handle Offset	V125FP, V150, V200, V125SL, V150SL	1
V25153138BL	2" FP x 1 3/8" Handle Offset	MV220BL & MV300BL	1
V25153138	2" FP x 1 3/8" Handle Offset	V200FP & V200SL	1



## FEATURES

- FKM (viton type) seals.
- PTFE self-lubricating stem bushings and seats cannot stick or bind.
- Precision molded in polypropylene.
- Polypropylene is reinforced with fiberglass for additional strength.
- Self-aligning ball moves freely against the PTFE seats for smooth operation.
- Valve opens and closes with very little pressure on the handle.
- Ball is diamond turned, after molding, to make it spherically perfect, which provides precise contact between ball and seats.
- Stainless steel bolts.



6 BOLT VALVES							
PART NO	DESCRIPTION	MAX PSI	PIPE SIZE	OPENING THRU BALL	QTY	HANDLE REPLACEMENT	REPAIR KIT
V200FP	2" Full Port Valve	225	2"	2"	8/box	V25153	V25200
V300	3" Standard Port Valve	225	3"	2½"	8/box	V25153	V30200
V300FP	3" Full Port Valve	200	3"	3"	6/box	V25153	V35200
V400	4" Standard Port Valve	100	4"	3½"	4/box	V25153	V40200

**For faster shipping, order in box quantities.**



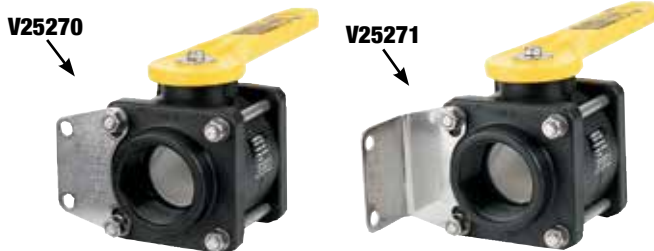
**VFMT200FP**

VALVE REPAIR KIT INCLUDES:			
1 Ball	2 Body O-Rings	1 Thrust Washer	
2 Ball Seats	1 Upper Stem Bushing	1 Stem O-Ring	

6 BOLT VALVES w/ "F" ADAPTER							
PART NO	DESCRIPTION	MAX PSI	PIPE SIZE	OPENING THRU BALL	QTY	HANDLE REPLACEMENT	REPAIR KIT
VFMT200FP	2" Full Port Valve w/"F" Adapter	225	2"	2"	6/box	V25153	V25200

## FEATURES FOR MOUNTING BRACKETS

- 316 Stainless steel construction.
- Straight and 90° available.



MOUNTING BRACKETS			
PART NO	DESCRIPTION	VALVE USED	QTY
V25270	Straight Mounting Bracket	V200FP, V300, V300FP, V400, VFMT200FP & VFMT200FPSH	1
V25271	90° Mounting Bracket	V200FP, V300, V300FP, V400, VFMT200FP & VFMT200FPSH	1

## FEATURES FOR LOCKING HANDLE

- Stainless steel hardware.
- Locks in open and closed positions.
- Locking handle replaces standard handle.\*\*
- Padlock not included.\*



**VL25153**

LOCKING HANDLE FEATURES			
PART NO	DESCRIPTION	VALVE USED	QTY
VL25153	Locking Handle	V200FP, V300, V300FP, V400, VFMT200FP & VFMT200FPSH	1

**\*\*Sold separately.**

# 2" Full Port Polypropylene Bolted Ball Valves

## FEATURES

- FKM (viton type) seals.
- Stainless steel bolts.
- PTFE self-lubricating stem bushings and seats cannot stick or bind.
- Precision molded in polypropylene.
- Polypropylene is reinforced with fiberglass for additional strength.
- Self-aligning ball moves freely against the PTFE seats for smooth operation.
- Valve opens and closes with very little pressure on the handle.
- Ball is diamond turned, after molding, to make it spherically perfect, which provides precise contact between ball and seats.



4 BOLT FULL PORT VALVES							
PART NO	DESCRIPTION	MAX PSI	PIPE SIZE	OPENING THRU BALL	QTY	HANDLE REPLACEMENT	REPAIR KIT
VFMT204FP	2" Full Port Valve Male NPT x Male Adapter	150	2"	2"	6/box	V25153	V25200
V204FP	2" Full Port Valve	150	2"	2"	8/box	V25153	VS2500

For faster shipping, order in box quantities.

# 2" Full Port ANSI Flange Bolted Ball Valves

## FEATURES

- 100% PTFE seats.
- FKM (viton type) seals.
- Glass-filled polypropylene.
- Unique compact design.
- Lightweight.



See our 2" ANSI flange gaskets on page 71!

FULL PORT ANSI FLANGE VALVES							
PART NO	DESCRIPTION	MAX PSI	PIPE SIZE	OPENING THRU BALL	QTY	HANDLE REPLACEMENT	REPAIR KIT
VSF200FPAF	2" Full Port Valve Male Adapter x 2" ANSI Flange	200	2"	2"	6/box	V25153SH	VS25200
VSMT200FPAF	2" Full Port Valve Male NPT x 2" ANSI Flange	200	2"	2"	6/box	V25153SH	VS25200



## FEATURES

- Stainless steel bolts.
- Glass reinforced polypropylene.
- Multiple design options.
- Unique patented compact design.
- Lightweight.
- All PTFE seals

VSF200



VSMT200



VSFMT200



VSFHB200



2" STANDARD PORT STUBBY VALVES							
PART NO	DESCRIPTION	MAX PSI	PIPE SIZE	OPENING THRU BALL	QTY	HANDLE REPLACEMENT	REPAIR KIT
VSF200	2" Male Adapter x 2" Female NPT	100	2"	1 1/2"	24/box	VS20152SH	VS20200
VSMT200	2" Male NPT x 2" Female NPT	100	2"	1 1/2"	24/box	VS20152SH	VS20200
VSFMT200	2" Male Adapter x 2" Male NPT	225	2"	1 1/2"	24/box	VS20152SH	VS20200
VSFHB200	2" Male Adapter x 2" Hose Barb	100	2"	1 1/2"	24/box	VS20152SH	VS20200

**For faster shipping, order in box quantities.**

VALVE REPAIR KIT INCLUDES:		
1 Ball	1 Body Gasket	1 Thrust Washer
2 Ball Seats	1 Upper Stem Bushing	1 Stem O-Ring

# 2" Full Port Stubby Ball Valves

## FEATURES

- Stainless steel bolts.
- 100% PTFE ball seats.
- Glass-filled polypropylene.
- FKM (viton type) body seals.
- Unique compact design.
- Lightweight.

VSMT204FP



VSF204FP



VS204FP



VSFMT204FP



VSFMT204HSFP



*For faster shipping, order in box quantities.*

2" FULL PORT STUBBY VALVES								
PART NO	DESCRIPTION	MAX PIPE PSI	PIPE SIZE	OPENING THRU BALL	QTY	HANDLE REPLACEMENT	REPAIR KIT	
VSMT204FP	2" Male NPT x 2" Female NPT	200	2"	2"	18/box	VS25153	VS25200	
VSF204FP	2" Male Adapter x 2" Female NPT	100	2"	2"	18/box	VS25153	VS25200	
VS204FP	2" Female NPT x 2" Female NPT	225	2"	2"	18/box	VS25153	VS25200	
VSFMT204FP	2" Male Adapter x 2" Male NPT	150	2"	2"	18/box	VS25153	VS25200	
VSFMT204HSFP	2" FP Male Adapter x 2" Male NPT w/ SS Ball, Stem & Handle	150	2"	2"	18/box	VS25153SS	VSSH25200	

## FEATURES

- Stainless steel bolts.
- Glass reinforced polypropylene.
- FKM (viton type) body seals.
- Unique patented compact design.
- Lightweight.
- All PTFE ball seats.



VSMT300



VSF300



VSFMT300

3" STANDARD PORT STUBBY VALVES								
PART NO	DESCRIPTION	MAX PSI	PIPE SIZE	OPENING THRU BALL	QTY	REPLACEMENT STRAIGHT HANDLE	REPLACEMENT SHORT HANDLE	REPAIR KIT
VSMT300	3" Female NPT x 3" Male NPT	225	3"	2½"	6/box	V25153	V25153SH	VS30200
VSF300	3" Female NPT x 3" Male Adapter	100	3"	2½"	6/box	V25153	V25153SH	VS30200
VSFMT300	3" Male NPT x 3" Male Adapter	100	3"	2½"	6/box	V25153	V25153SH	VS30200

VALVE REPAIR KIT INCLUDES:		
1 Ball	2 Body O-Rings	1 Thrust Washer
2 Ball Seats	1 Upper Stem Bushing	1 Stem O-Ring

**For faster shipping, order in box quantities.**

# 3" Full Port Stubby Ball Valves

**FEATURES**

- Stainless steel bolts.
- Glass reinforced polypropylene.
- FKM (viton type) body seals.
- Unique patented compact design.
- Lightweight.
- All PTFE ball seats.



VSFMT300FP

3" FULL PORT PORT STUBBY VALVES							
PART NO	DESCRIPTION	MAX PSI	PIPE SIZE	OPENING THRU BALL	QTY	HANDLE REPLACEMENT	REPAIR KIT
VSFMT300FP	3" FP Male Adapter x 3" Male NPT	100	3"	3"	6/box	V25153	VS35200



VSFMT300HSFP

3" FULL PORT STUBBY VALVES w/SS							
PART NO	DESCRIPTION	MAX PSI	PIPE SIZE	OPENING THRU BALL	QTY	HANDLE REPLACEMENT	REPAIR KIT
VSFMT300HSFP	3" FP Male Adapter x 3" Male NPT w/SS ball, Stem & Handle	100	3"	3"	6/box	VS30153SS	VSSH35200

VALVE REPAIR KIT INCLUDES:			
1 Ball	2 Body O-Rings	1 Thrust Washer	
2 Ball Seats	1 Upper Stem Bushing	1 Stem O-Ring	

*For faster shipping, order in box quantities.*



**FEATURES**

- Stainless steel bolts.
- Precision molded in polypropylene. Polypropylene is reinforced with fiberglass for additional strength.
- Self-aligning ball moves freely against the PTFE seats for smooth operation.
- Ball is diamond turned, after molding, to make it spherically perfect, which provides precise contact between ball and seats.
- PTFE self-lubricating stem bushings and seats.
- FKM (viton type) body seals.



3 WAY BOTTOM LOAD VALVES								
PART NO	DESCRIPTION	MAX PSI	PIPE SIZE	OPENING THRU BALL	HANDLE TYPE	QTY	HANDLE REPLACEMENT	REPAIR KIT
V075BL	3/4" 3-Way Bottom Load Poly Valve	200	3/4"	1"	T	18/box	V10353TB	V10300SL
V100BL	1" 3-Way Bottom Load Poly Valve	225	1"	1"	T	18/box	V10353TB	V10300SL
V125BL	1 1/4" 3-Way Bottom Load Poly Valve	300	1 1/4"	1 1/2"	T	12/box	V10353TB	V15300SL
V150BL	1 1/2" 3-Way Bottom Load Poly Valve	225	1 1/2"	1 1/2"	T	12/box	V10353TB	V15300SL
V200BL	2" 3-Way Bottom Load Poly Valve	200	2"	2"	Straight	8/box	V25353B	V15300SL

**BOTTOM LOAD:** Directional flow, right or left. Valve can be turned off to stop flow.



3 WAY SIDE LOAD VALVES								
PART NO	DESCRIPTION	MAX PSI	PIPE SIZE	OPENING THRU BALL	HANDLE TYPE	QTY	HANDLE REPLACEMENT	REPAIR KIT
V075SL	3/4" 3-Way Side Load Poly Valve	200	3/4"	1"	Straight	18/box	V10153A	V10300SL
V100SL	1" 3-Way Side Load Poly Valve	200	1"	1"	Straight	18/box	V10153A	V10300SL
V125SL	1 1/4" 3-Way Side Load Poly Valve	300	1 1/4"	1 1/2"	T	12/box	V20153	V15300SL
V150SL	1 1/2" 3-Way Side Load Poly Valve	225	1 1/2"	1 1/2"	T	12/box	V20153	V15300SL
V200SL	2" 3-Way Side Load Poly Valve	225	2"	2"	Straight	8/box	V25153SH	V15300SL

**SIDE LOAD:** Directional flow, right or left. Valve cannot be turned off.

**For faster shipping, order in box quantities.**

# Polypropylene Nozzle Valves

## FEATURES

- Lightweight hose end valve for convenient transfer of liquids into drums, tanks, etc.
- Angled end flange with 8" long polypropylene fill spout.
- All stainless bolts.



VA150  
VA200



VA200FP

1 1/2" & 2" POLY NOZZLE VALVES W/90° ELBOW									
PART NO	DESCRIPTION	MAX PSI	PIPE SIZE	OPENING THRU BALL	FEMALE NPT	QTY	HANDLE REPLACEMENT	REPAIR KIT	
VA150	1 1/2" Nozzle Valve w/90° Elbow	225	1 1/2" x 8"	1 1/2"	1 1/2"	12/box	V20152	V20200	
VA200	2" Nozzle Valve w/90° Elbow	200	2" x 8"	1 1/2"	2"	12/box	V20152	V20200	
VA200FP	2" FP Nozzle Valve w/90° Elbow	225	2" x 8"	2"	2"	6/box	V25152	V25200	



For use with V100,  
V100FP, UV100FP &  
SUV100FP

1" POLY DISPENSING NOZZLE							
PART NO	DESCRIPTION	MAX PSI	PIPE SIZE	OPENING THRU BALL	FEMALE NPT	QTY	
V10161	1" Poly Nozzle Pipe	N/A	1"	N/A	1"	1	

\*Note: Now sold separately.

# Poly Dispensing Nozzle

## FEATURES

- Glass reinforced polypropylene.
- 304 stainless steel handle, spring and pin.
- FKM (viton type) rubber parts only.
- Resists corrosion.



VN100

1" POLY DISPENSING NOZZLE									
PART NO	DESCRIPTION	MAX PSI	PIPE SIZE	OPENING THRU BALL	FEMALE NPT	QTY	HANDLE REPLACEMENT	REPAIR KIT	
VN100	1" Poly Dispensing Nozzle	150	1"	N/A	1"	1	VN10253	VN10200	

VALVE REPAIR KIT INCLUDES:			
1 Ball	2 Body O-Rings	1 Thrust Washer	
2 Ball Seats	1 Upper Stem Bushing	1 Stem O-Ring	



**FEATURES**

- Precision molded in glass reinforced polypropylene, for strength and chemical resistance.
- PTFE seats for smooth operation and proper sealing characteristics.
- EPDM O-rings to handle most fertilizers and many chemicals.
- Double O-rings in stem area for extra sealing protection.
- Interlocking body and end plate to allow easy thread connection when installing valves.

SINGLE UNION SPINWELD POLY VALVES						
PART NO	DESCRIPTION	MAX PSI	PIPE SIZE	OPENING THRU BALL	QTY	
SUV050FP	1/2" Full Port Union Valve	300	1/2"	1/2"	1	
SUV075FP	3/4" Full Port Union Valve	300	3/4"	3/4"	1	
SUV100FP	1" Full Port Union Valve	300	1"	1"	1	
SUV125FP	1 1/4" Full Port Union Valve	300	1 1/4"	1 1/4"	1	
SUV150FP	1 1/2" Full Port Union Valve	300	1 1/2"	1 1/2"	1	
SUV200FP	2" Full Port Union Valve	200	2"	2"	1	

MANIFOLD SINGLE UNION POLY VALVE						
PART NO	DESCRIPTION	MAX PSI	PIPE SIZE	OPENING THRU BALL	QTY	
MSUV100FP	1" Manifold Full Port Union Valve	300	1"	1"	1	



## Single Union Polypropylene Ball Valve

**FEATURES**

- Precision molded in glass reinforced polypropylene, for strength and chemical resistance.
- PTFE seats for smooth operation and proper sealing characteristics.
- Double O-rings in stem area for extra sealing protection.
- Interlocking body and end plate to allow easy thread connection when installing.

SINGLE UNION POLY VALVES						
PART NO	DESCRIPTION	STEM O-RING	MAX PSI	PIPE SIZE	OPENING THRU BALL	QTY
UV050FP	1/2" Single Union Poly Valve	EPDM	300	1/2"	3/4"	1
UV075FP	3/4" Single Union Poly Valve	EPDM	300	3/4"	3/4"	1
UV100FP	1" Single Union Poly Valve	EPDM	300	1"	1"	1
UV125FP	1 1/4" Single Union Poly Valve	EPDM	225	1 1/4"	1 1/2"	1
UV150FP	1 1/2" Single Union Poly Valve	EPDM	200	1 1/2"	1 1/2"	1
UV200FP	2" Single Union Poly Valve	EPDM	300	2"	2"	1



# Polypropylene Check Valve

## FEATURES

- One piece construction.
- Glass reinforced polypropylene.
- 316 stainless steel springs.
- EPDM gasket.



CHECK VALVES				
PART NO	DESCRIPTION	MAX PSI	PIPE SIZE	QTY
CV050	1/2" Check Valve	300	1/2"	1
CV100MT	1" Male x Female NPT	300	1"	1
CV100	1" Check Valve	300	1"	1
CV221	2" Full Port Check Valve	300	2"	1
CV300	3" Full Port Check Valve	300	3"	1

See page 44 for our manifold version.

# 316 Stainless Steel Two Piece Ball Valves

## FEATURES

- 316 stainless steel.
- Blow out proof stem.
- All valves 100% tested by air, underwater at 100 P.S.I. in open and closed positions.
- Latch locking handle performs in both open and closed positions.
- Mounting pad.
- PTFE seals and seats.
- All full port design.



316 SS FULL PORT BALL VALVES							
PART NO	DESCRIPTION	HANDLE TYPE	MAX PSI	PIPE SIZE	OPENING THRU BALL	QTY	REPAIR KIT
VSS025	1/4" SS Full Port Ball Valve	Straight	1000	1/4"	1/4"	1	VSS02500
VSS038	3/8" SS Full Port Ball Valve	Straight	1000	3/8"	3/8"	1	VSS02500
VSS050	1/2" SS Full Port Ball Valve	Straight	1000	1/2"	1/2"	1	VSS05200
VSS075	3/4" SS Full Port Ball Valve	Straight	1000	3/4"	3/4"	1	VSS07200
VSS100	1" SS Full Port Ball Valve	Straight	1000	1"	1"	1	VSS10200
VSS125	1 1/4" SS Full Port Ball Valve	Straight	1000	1 1/4"	1 1/4"	1	VSS12500
VSS150	1 1/2" SS Full Port Ball Valve	Straight	1000	1 1/2"	1 1/2"	1	VSS15200
VSS200	2" SS Full Port Ball Valve	Straight	1000	2"	2"	1	VSS25200
VSS300	3" SS Full Port Ball Valve	Straight	1000	3"	3"	1	VSS35200

# Poly Air Actuated Shutoff Valves

## FEATURES

- Open position allows full, unobstructed flow, 50-60 GPM.
- Air pressure collapses the internal rubber sleeve to provide positive shut off.
- Standard EPDM rubber bladder seal, FKM (viton type) available.
- Female NPT Threads.



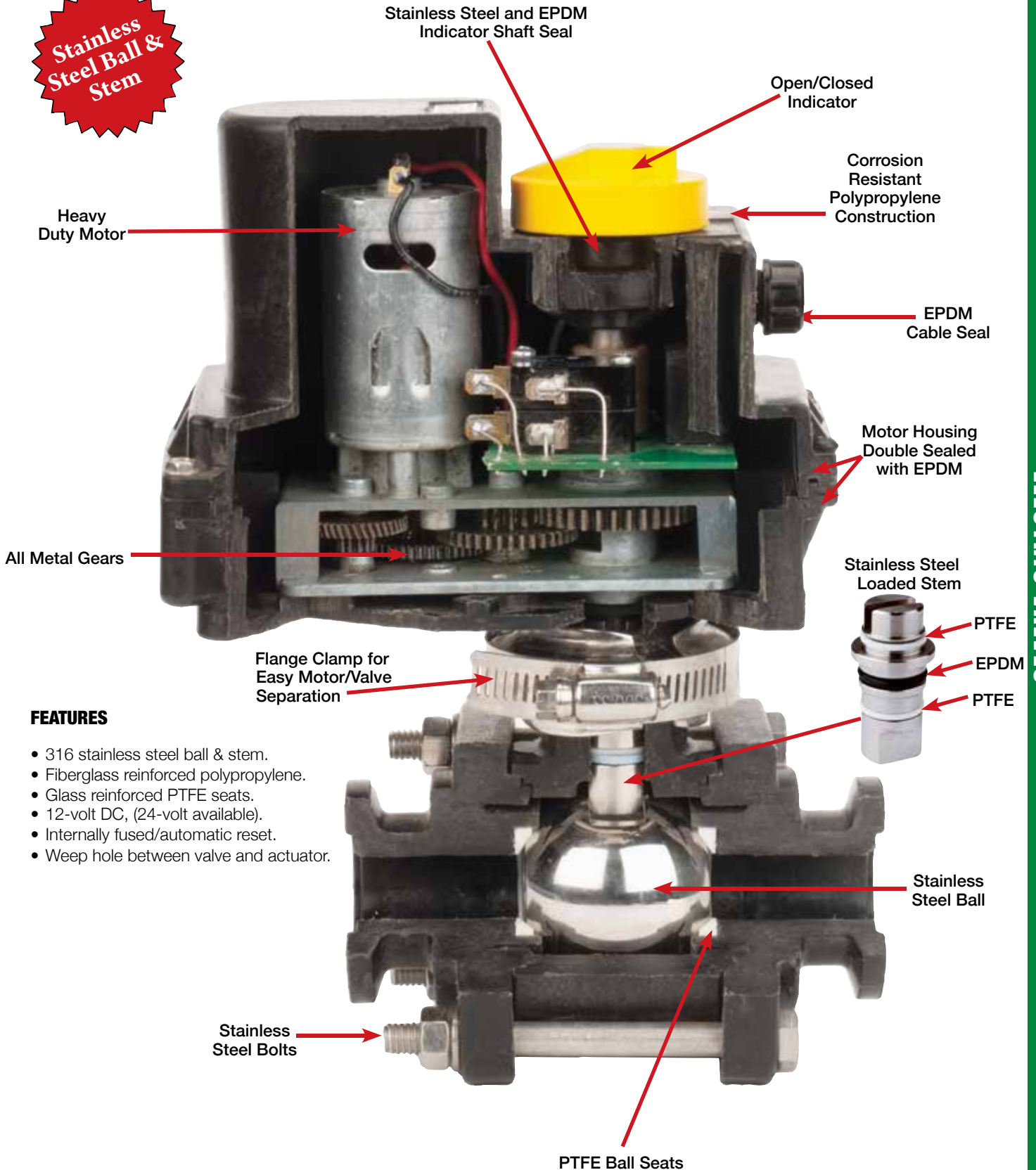
POLY PINCH VALVES						
PART NO	DESCRIPTION	GASKET	MAX PSI	PIPE SIZE	PRESSURE DIFFERENCE	QTY
PV075	3/4" x 3/4" Poly Pinch Valve	EPDM	300	3/4"	15 to 20 PSI	1
PV075V	3/4" Poly Pinch Valve	FKM	300	3/4"	15 to 20 PSI	1
PV100	1" x 1" Poly Pinch Valve	EPDM	300	1"	15 to 20 PSI	1
PV100V	1" x 1" Poly Pinch Valve	FKM	300	1"	15 to 20 PSI	1
PV100-075	1" x 3/4" Poly Pinch Valve	EPDM	300	1" x 3/4"	15 to 20 PSI	1
PV100-075V	1" x 3/4" Poly Pinch Valve	FKM	300	1" x 3/4"	15 to 20 PSI	1
PV100-075B	1" x 3/4" Poly Pinch Valve Female Coupler	EPDM	300	1" x 3/4"	15 to 20 PSI	1
PV100-075BV	1" x 3/4" Female Coupler Poly Pinch Valve	FKM	300	1" x 3/4"	15 to 20 PSI	1
PV10265	Bladder	EPDM	N/A			1
PV10265V	Bladder	FKM	N/A			1

Attention: The polypropylene air actuated valve is normally an open valve, and has a maximum liquid pressure of 70 P.S.I.

The pressure differential (pressure it takes to close valve) of the valve is 15 to 20 P.S.I.



**Stainless Steel Ball & Stem**



**FEATURES**

- 316 stainless steel ball & stem.
- Fiberglass reinforced polypropylene.
- Glass reinforced PTFE seats.
- 12-volt DC, (24-volt available).
- Internally fused/automatic reset.
- Weep hole between valve and actuator.

# LEV Series Electric Valves

## 1/4", 3/8" & 1/2"

### FEATURES

- 12 Volt DC
- Stationary current draw: less than 0.04 amps.
- Rotating current draw: less than 0.40 amps.
- Stall current: 0.75 amps
- Response time: 1/3 sec open to close
- TFM seats
- EPDM seals
- Fiberglass reinforced polypropylene.
- Integrated mounting slot
- Standard 3 wire configuration.

**JG John Guest®**  
Fitting

The brand "John Guest" is a registered trademark of John Guest International Limited.



### 1/3 Second Response Time

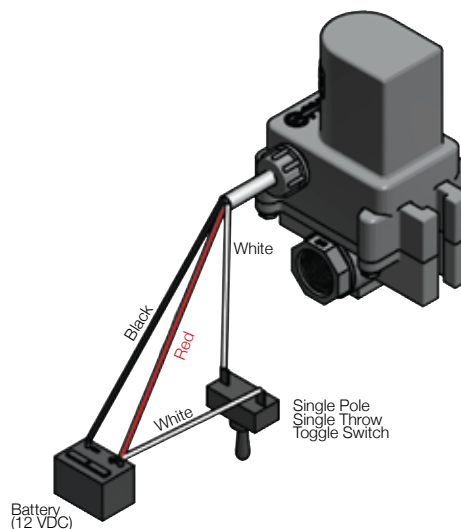
3/8"-1/2" ON/OFF ELECTRIC VALVES					
PART NO	DESCRIPTION	MAX PSI	PIPE SIZE	OPENING THRU BALL	QTY
LEV038	3/8" Full Port Electric Valve	300	3/8"	3/8"	1
LEV050	1/2" Electric Valve	300	1/2"	15/32"	1



Spray tip adapter

LEV SERIES ELECTRIC PUSH LOCK VALVES					
PART NO	DESCRIPTION	MAX PSI	PIPE SIZE	OPENING THRU BALL	QTY
LEV025PL	1/4" Electric Valve Push Lock	150	1/4"	3/8"	1
LEV038PL	3/8" Full Port Electric Valve Push Lock	150	3/8"	3/8"	1
LEV050PL	1/2" Electric Valve Push Lock	150	1/2"	15/32"	1

LEV SERIES ELECTRIC PUSH LOCK VALVES W/SPRAY TIP ADAPTER					
PART NO	DESCRIPTION	MAX PSI	PIPE SIZE	OPENING THRU BALL	QTY
LEV025PLST	1/4" Electric Valve with Spray Tip Adapter	150	1/4"	3/8"	1
LEV038PLST	3/8" Full Port Electric Valve with Spray Tip Adapter	150	3/8"	3/8"	1



# Electric Valves

## 3/4," 1," 1 1/4" Threaded

### FEATURES

- 316 stainless steel ball & stem.
- Stainless steel hardware.
- Fiberglass reinforced polypropylene.
- PTFE seats.
- FKM (viton type) or EPDM O-rings.
- 12-volt DC operated.
- 24-volt available in most models.
- Easily repairable.
- Open/closed indicator.

### 3/4 Second Response Time

3/4"-1 1/4" ON/OFF ELECTRIC VALVES					
PART NO	DESCRIPTION	MAX PSI	PIPE SIZE	OPENING THRU BALL	QTY
EV075	3/4" Full Port Electric Valve	300	3/4"	1"	1
EV100FP	1" Full Port Electric Valve	300	1"	1"	1
EV125	1 1/4" Electric Valve	300	1 1/4"	1"	1

### 4 Second Response Time

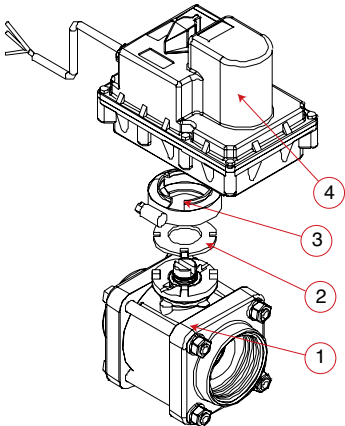
3/4"-1 1/4" REGULATING ELECTRIC VALVES					
PART NO	DESCRIPTION	MAX PSI	PIPE SIZE	OPENING THRU BALL	QTY
EVR075	3/4" Full Port Electric Valve	300	3/4"	1"	1
EVR100FP	1" Full Port Electric Valve	300	1"	1"	1
EVR125	1 1/4" Electric Valve	300	1 1/4"	1"	1

**Note: 2 wire regulating and other response times available. Contact our Sales Team for part number and availability of valves.**

#### ELECTRIC VALVE REPAIR KIT INCLUDES:

1 Gasket    1 Stem w/Seals    1 Ball Seals    1 Body O-Ring

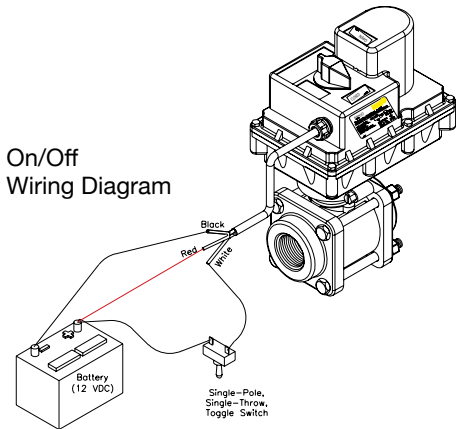
Fast repair replacement options.



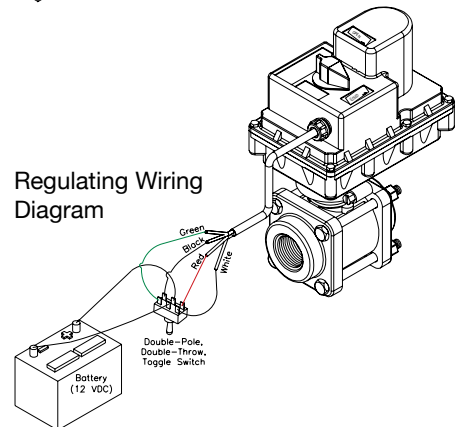
REPLACEMENT PARTS EV075-EVR075-EV100FP-EVR100FP-EV125-EVR125			
ITEM	PART NO	DESCRIPTION	QTY
1	EV075XR1	3/4" Electric Valve Sub Assembly	1
1	EV100XR1	1" Electric Valve Sub Assembly	1
1	EV125XR1	1 1/4" Electric Valve Sub Assembly	1
2	MVE004	Electric Valve Flange Gasket	1
3	FC100	1" Flange Clamp	1
4	EV3300	3/4" Second 3 Wire Motor Assembly	1
4	EVR3300	Regulating 4 Wire, 4 Second	1
KIT	EV10210	Repair Kit	1



On/Off Wiring Diagram



Regulating Wiring Diagram



# Electric Valves 1½," 2" Threaded

## FEATURES

- 316 stainless steel ball & stem.
- Stainless steel hardware.
- Fiberglass reinforced polypropylene.
- PTFE seats.
- FKM (viton type) or EPDM O-rings.
- 12-volt DC operated.
- 24-volt available in most models.
- Easily repairable.
- Open/closed indicator.

## ON/OFF Electric Valves - 1¼ Second Response Time

1½"-2" ON/OFF ELECTRIC VALVES					
PART NO	DESCRIPTION	MAX PSI	PIPE SIZE	OPENING THRU BALL	QTY
EV150	1½" Electric Valve	300	1½"	1½"	1
EV200	2" Electric Valve	300	2"	1½"	1

## REGULATING Electric Valves - 4 Second Response Time

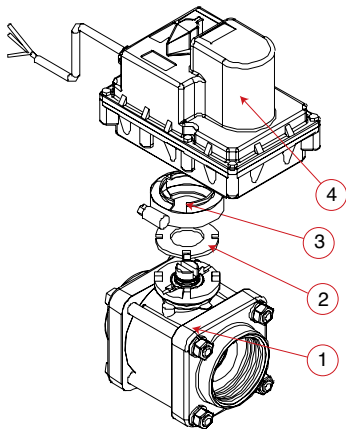
2" REGULATING ELECTRIC VALVES					
PART NO	DESCRIPTION	MAX PSI	PIPE SIZE	OPENING THRU BALL	QTY
EVR150	1½" Electric Valve	300	1½"	1½"	1

**Note: 2 wire regulating and other response times available. Contact our Sales Team for part number and availability of valves.**

### ELECTRIC VALVE REPAIR KIT INCLUDES:

1 Gasket    1 Stem w/Seals    1 Ball Seals    1 Body O-Ring

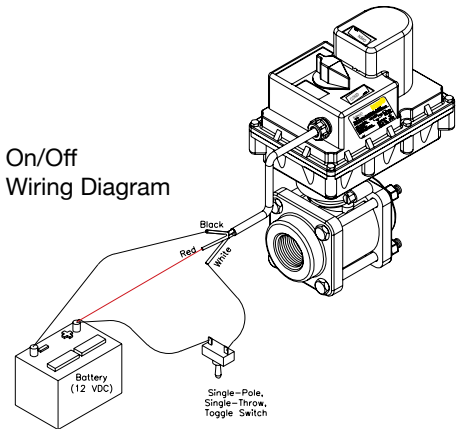
Fast repair replacement options.



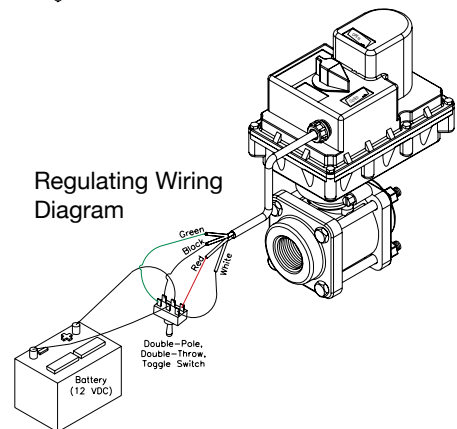
REPLACEMENT PARTS EV150-EV200-EVR150-EVR200				
ITEM	PART NO	DESCRIPTION	QTY	
1	EV150XR1	1½" Full Port Electric Valve Sub Assembly	1	
1	EV200XR1	2" Electric Valve Sub Assembly	1	
2	MVE004	Electric Valve Flange Gasket	1	
3	FC100	1" Flange Clamp	1	
4	EV4300	1¼ Second 3 Wire Motor Assembly	1	
4	EVR4300	Regulating 4 Wire, 4 Second	1	
KIT	EV20210	Repair Kit	1	



On/Off Wiring Diagram



Regulating Wiring Diagram





# Electric Valves 2" Full Port Threaded

## FEATURES

- 316 stainless steel ball & stem.
- Stainless steel hardware.
- Fiberglass reinforced polypropylene.
- PTFE seats.
- FKM (viton type) or EPDM O-rings.
- 12-volt DC operated.
- 24-volt available in most models.
- Easily repairable.
- Open/closed indicator.

## ON/OFF Electric Valves - 1¼ Second Response Time

2" FULL PORT ON/OFF ELECTRIC VALVES					
PART NO	DESCRIPTION	MAX PSI	PIPE SIZE	OPENING THRU BALL	QTY
EV204FP	2" Full Port Electric Valve	225	2"	2"	1

## REGULATING Electric Valves - 4 Second Response Time

2" FULL PORT REGULATING ELECTRIC VALVES					
PART NO	DESCRIPTION	MAX PSI	PIPE SIZE	OPENING THRU BALL	QTY
EVR204FP	2" Full Port Electric Valve	225	2"	2"	1

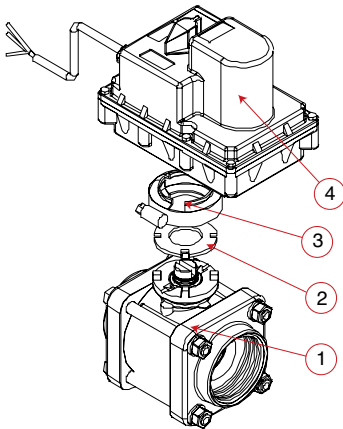
**Note: 2 wire regulating and other response times available. Contact our Sales Team for part number and availability of valves.**

### ELECTRIC VALVE REPAIR KIT INCLUDES:

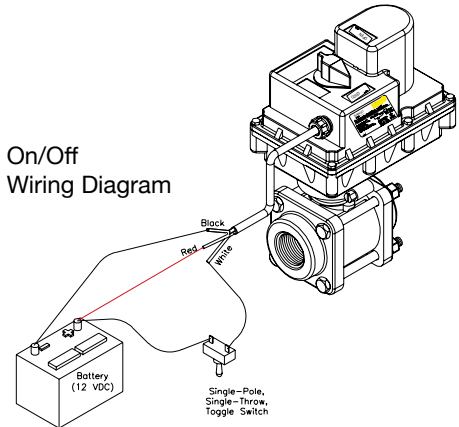
1 Gasket    1 Stem w/Seals    1 Ball Seals    1 Body O-Ring



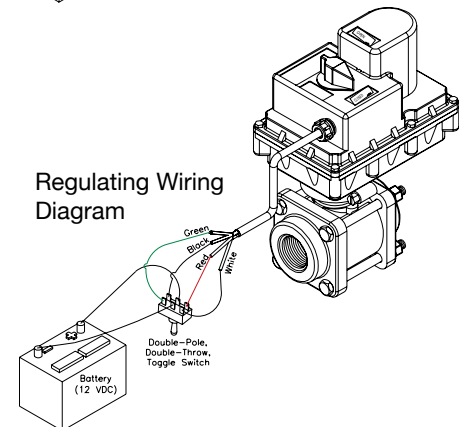
Fast repair replacement options.



On/Off Wiring Diagram



Regulating Wiring Diagram



REPLACEMENT PARTS EV204FP-EVR204FP			
ITEM	PART NO	DESCRIPTION	QTY
1	EV204XR1	2" Full Port Electric Valve Sub Assembly	1
2	MVE004	Electric Valve Flange Gasket	1
3	FC100	1" Flange Clamp	1
4	EV4300	1¼ Second 3 Wire Motor Assembly	1
4	EVR4300	Regulating 4 Wire, 4 Second	1
KIT	EV25210	Repair Kit	1



# Electric Valves 3" Full Port Threaded

## FEATURES

- Stainless steel hardware.
- Fiberglass reinforced polypropylene.
- PTFE seats.
- FKM (viton type) or EPDM O-rings.
- 12-volt DC operated (EV300FP)



## ON/OFF Electric Valves - 3 Second Response Time 3 Wire

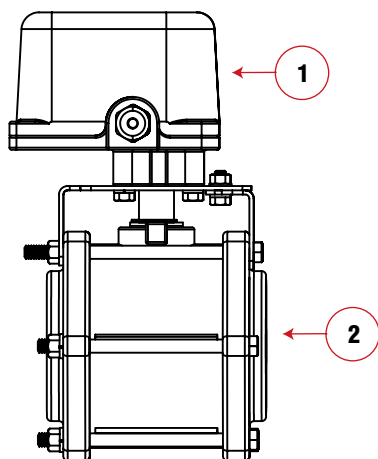
3" FULL PORT ON/OFF ELECTRIC VALVES					
PART NO	DESCRIPTION	MAX PSI	PIPE SIZE	OPENING THRU BALL	QTY
EV300FP	3" Full Port Electric Valve	200	3"	3"	1

## ON/OFF Electric Valves - 9 Second Response Time 3 Wire

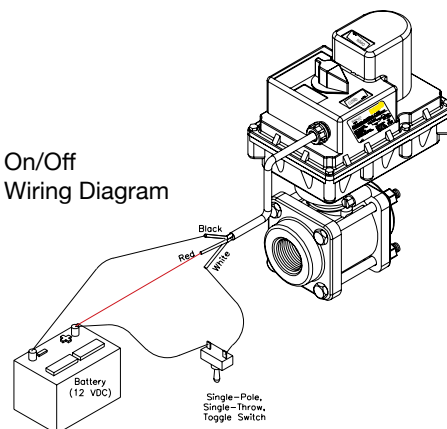
3" FULL PORT ON/OFF ELECTRIC VALVES					
PART NO	DESCRIPTION	MAX PSI	PIPE SIZE	OPENING THRU BALL	QTY
EV300FP110	3" Full Port Electric Valve with 110 volt AC	200	3"	3"	1

**Note: 4 wire regulating & 110 Volt AC, 9 Seconds response times available. Contact our sales team for part number and availability of valves.**

ELECTRIC VALVE REPAIR KIT INCLUDES:  
1 Gasket    1 Stem w/Seals    1 Ball Seals    1 Body O-Ring



On/Off  
Wiring Diagram



## REPLACEMENT PARTS EV300FP & EV300FP110

ITEM	PART NO	DESCRIPTION	QTY
1	VE5630	3 Sec, 12VDC Motor (EV300FP)	1
1	VE5793	9 Sec, 110 Volt AC Motor (EV300FP110)	1
2	EV300XR1A	3" Electric Valve Only	1
KIT	EV35210	Repair Kit	1

## 3/4," 1," 1 1/4" Threaded with Flanged Inlet

### FEATURES

- 316 stainless steel ball & stem.
- Stainless steel hardware.
- Fiberglass reinforced polypropylene.
- PTFE seats.
- FKM (viton type) or EPDM O-rings.
- 24-volt available in most models.
- 12-volt DC operated.
- Easily repairable.
- Open/closed indicator.

### 3/4 Second Response Time

3/4"-1 1/4" BOTTOM LOAD ELECTRIC VALVES					
PART NO	DESCRIPTION	MAX PSI	PIPE SIZE	OPENING THRU BALL	QTY
EV075BL	3/4" Full Port Electric Valve	300	3/4"	1"	1
EV100BL	1" Electric Valve	300	1"	1"	1

**BOTTOM LOAD:** Directional flow right or left. Valve flow cannot be turned off.

### 3/4 Second Response Time

3/4"-1 1/4" SIDE LOAD ELECTRIC VALVES					
PART NO	DESCRIPTION	MAX PSI	PIPE SIZE	OPENING THRU BALL	QTY
EV075SL	3/4" Full Port Electric Valve	300	3/4"	1"	1
EV100SL	1" Electric Valve	300	1"	1"	1

**SIDE LOAD:** Directional flow right or left. Valve flow cannot be turned off.

**Attention:**

3-Way regulating valves are not shown, but are available. Standard 3-Way valves use the On/Off wiring diagram.

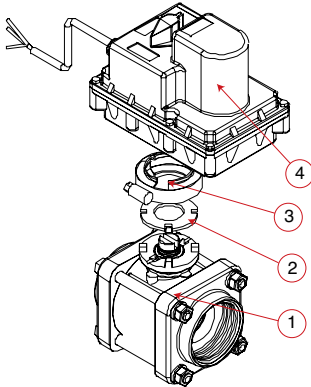


BOTTOM LOAD



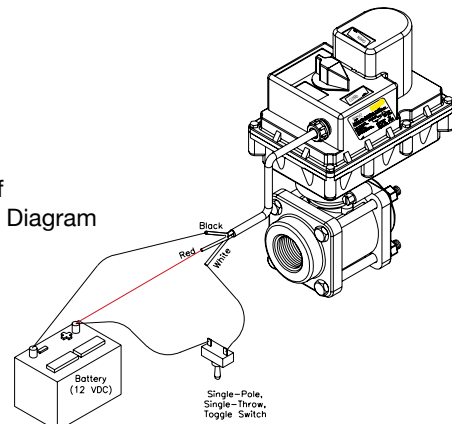
SIDE LOAD

Fast repair replacement options.



REPLACEMENT PARTS EV075SL-EV075BL-EV100SL-EV100BL-EV125SL-EV125BL			
ITEM	PART NO	DESCRIPTION	QTY
1	EV075SLXR1	3/4" Electric Valve Sub Assembly	1
1	EV100SLXR1	1" Electric Valve Sub Assembly	1
1	EV075BLXR1	3/4" Electric Valve Sub Assembly	1
1	EV100BLXR1	1" Electric Valve Sub Assembly	1
2	MVE004	Electric Valve Flange Gasket	1
3	FC100	1" Flange Clamp	1
4	EV3300	3/4 Second 3 Wire Motor Assembly	1
KIT	EV10210	Repair Kit	1

On/Off  
Wiring Diagram



ELECTRIC VALVES

# 3-Way Electric Valves 1½", 2" Threaded w/Flanged Inlet

## FEATURES

- 316 stainless steel ball & stem.
- Stainless steel hardware.
- Fiberglass reinforced polypropylene.
- PTFE seats.
- FKM (viton type) or EPDM O-rings.
- 12-volt DC operated.
- 24-volt available in most models.
- Easily repairable.
- Open/closed indicator.

## 1¼ SECOND RESPONSE TIME

1½"-2" BOTTOM LOAD ELECTRIC VALVES					
PART NO	DESCRIPTION	MAX PSI	PIPE SIZE	OPENING THRU BALL	QTY
EV150BL	1½" Electric Valve	225	1½"	1½"	1
EV200BL	2" Electric Valve	225	2"	1½"	1

**BOTTOM LOAD:** Directional flow right or left. Valve flow cannot be turned off.

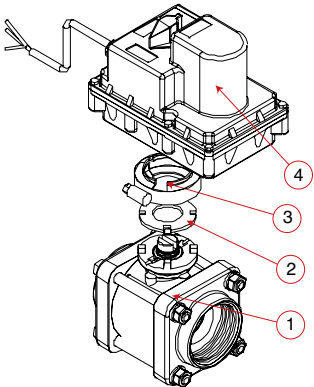
## 1¼ SECOND RESPONSE TIME

1½"-2" SIDE LOAD ELECTRIC VALVES					
PART NO	DESCRIPTION	MAX PSI	PIPE SIZE	OPENING THRU BALL	QTY
EV150SL	1½" Electric Valve	300	1½"	1½"	1
EV200SL	2" Electric Valve	300	2"	1½"	1

**SIDE LOAD:** Directional flow right or left. Valve flow cannot be turned off.

**Attention:**  
3-Way regulating valves are not shown, but are available.  
Standard 3-Way valves use the On/Off wiring diagram.

Fast repair replacement options.



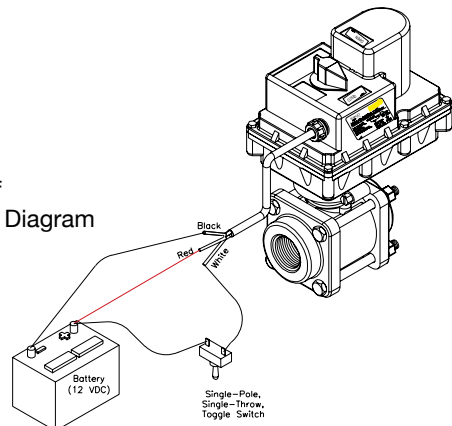
BOTTOM LOAD



SIDE LOAD

REPLACEMENT PARTS EV150SL-EV150BL-EV200SL-EV200BL				
ITEM	PART NO	DESCRIPTION	QTY	
1	EV150SLXR1	1½" Electric Valve Sub Assembly	1	
1	EV200SLXR1	2" Electric Valve Sub Assembly	1	
1	EV150BLXR1	1½" Electric Valve Sub Assembly	1	
1	EV200BLXR1	2" Electric Valve Sub Assembly	1	
2	MVE004	Electric Valve Flange Gasket	1	
3	FC100	1" Flange Clamp	1	
4	EV4300	1¼ Second 3 Wire Motor Assembly	1	
KIT	EV20210	Repair Kit	1	

On/Off  
Wiring Diagram



# 3-Way Electric Valves 2" Full Port Threaded w/Flanged Inlet

## FEATURES

- 316 stainless steel ball & stem.
- Stainless steel hardware.
- Fiberglass reinforced polypropylene.
- PTFE seats.
- FKM (viton type) or EPDM O-rings.
- 12-volt DC operated.
- 24-volt available in most models.
- Easily repairable.
- Open/closed indicator.

### 1 1/4 SECOND RESPONSE TIME

2" FULL PORT BOTTOM LOAD ELECTRIC VALVES					
PART NO	DESCRIPTION	MAX PSI	PIPE SIZE	OPENING THRU BALL	QTY
EV204BLFP	2" Full Port Electric Valve	200	2"	2"	1

**BOTTOM LOAD:** Directional flow right or left. Valve flow cannot be turned off.

### 1 1/4 SECOND RESPONSE TIME

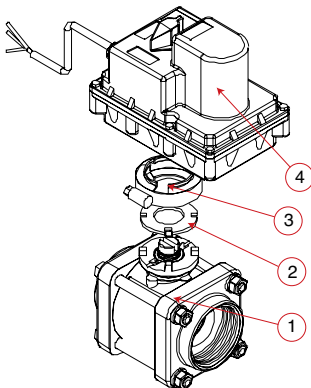
2" FULL PORT SIDE LOAD ELECTRIC VALVES					
PART NO	DESCRIPTION	MAX PSI	PIPE SIZE	OPENING THRU BALL	QTY
EV204SLFP	2" Full Port Electric Valve	150	2"	2"	1

**SIDE LOAD:** Directional flow right or left. Valve flow cannot be turned off.

Attention:  
3-Way regulating valves are not shown, but are available.  
Standard 3-Way valves use the On/Off wiring diagram.

ELECTRIC VALVE REPAIR KIT INCLUDES:			
1 Gasket	1 Stem w/Seals	1 Ball Seals	1 Body O-Ring

Fast repair replacement options.



REPLACEMENT PARTS EV204SLFP-EV204BLFP			
ITEM	PART NO	DESCRIPTION	QTY
1	EV204SLXR1	2" Full Port Electric Valve Sub Assembly	1
1	EV204BLXR1	2" Full Port Electric Valve Sub Assembly	1
2	MVE004	Electric Valve Flange Gasket	1
3	FC100	1" Flange Clamp	1
4	EV4300	1 1/4 Second 3 Wire Motor Assembly	1
KIT	EV25210	Repair Kit	1

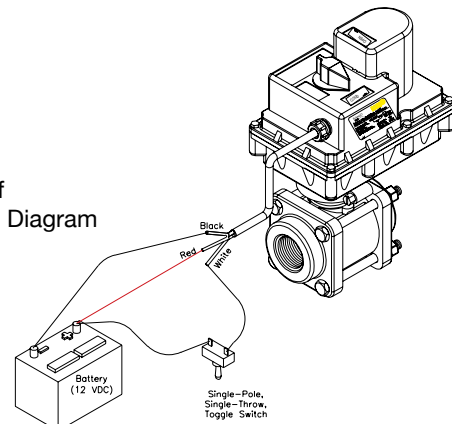


BOTTOM LOAD



SIDE LOAD

On/Off  
Wiring Diagram



# 1" Banjo Electric Manifold Valve Assemblies

## 2 Valve Manifold



## 3 Valve Manifold



### 2 VALVE MANIFOLD ASSEMBLY (M200 SERIES)

PART NO	DESCRIPTION	MAX PSI	PIPE SIZE	QTY
MEV102CF	1" Manifold Valve Assembly 2" Inlet Flanges, 1" Outlet Flanges	300	2" In 1" Out	1

### 3 VALVE MANIFOLD ASSEMBLY (M200 SERIES)

PART NO	DESCRIPTION	MAX PSI	PIPE SIZE	QTY
MEV103CF	1" Manifold Valve Assembly 2" Inlet Flanges, 1" Outlet Flanges	300	2" In 1" Out	1

## 4 Valve Manifold



## 5 Valve Manifold



### 4 VALVE MANIFOLD ASSEMBLY (M200 SERIES)

PART NO	DESCRIPTION	MAX PSI	PIPE SIZE	QTY
MEV104CF	1" Manifold Valve Assembly 2" Inlet Flanges, 1" Outlet Flanges	300	2" In 1" Out	1

### 5 VALVE MANIFOLD ASSEMBLY (M200 SERIES)

PART NO	DESCRIPTION	MAX PSI	PIPE SIZE	QTY
MEV105CF	1" Manifold Valve Assembly 2" Inlet Flanges, 1" Outlet Flanges	300	2" In 1" Out	1



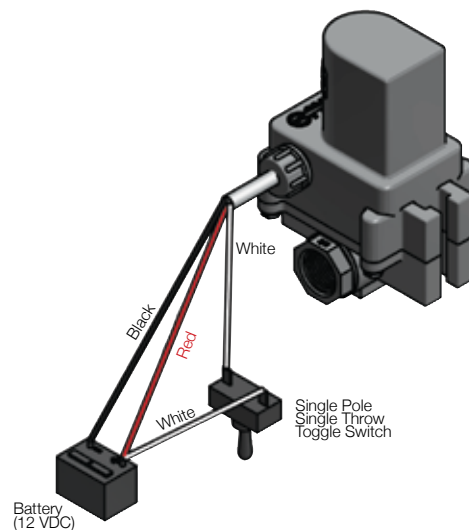
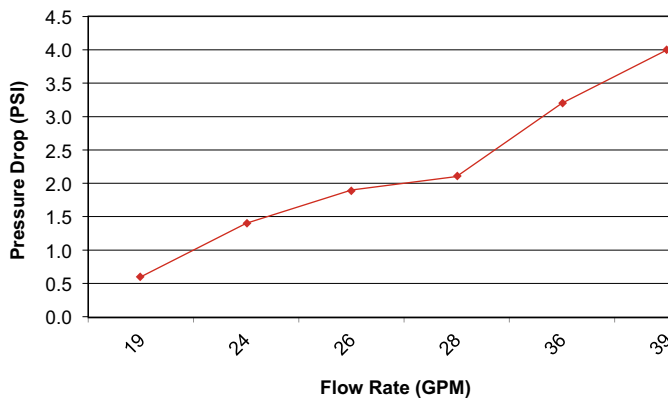
## FEATURES

- 12 Volt DC
- Stationary current draw: less than 0.04 amps.
- Rotating current draw: less than 0.40 amps.
- Stall current: 0.75 amps
- Response time: 1/3 sec open to close
- TFM seats
- EPDM seals
- Fiberglass reinforced polypropylene.
- Integrated mounting slot
- Standard 3 wire configuration.



## 1/3 Second Response Time

1" ON/OFF ELECTRIC MANIFOLD VALVE					
PART NO	DESCRIPTION	MAX PSI	PIPE SIZE	OPENING THRU BALL	QTY
MLEV100	1" Manifold Electric Valve	300	1"	1/2"	1



# 1"-2" Electric Manifold Valves

## FEATURES

- 1"-2" has 316 stainless steel ball & stem.
- Fiberglass reinforced polypropylene.
- PTFE seats.
- 12-volt DC operated.
- Internally fused/automatic reset.
- Open/closed indicator.



## 3/4 to 1 1/4 SECOND RESPONSE TIME

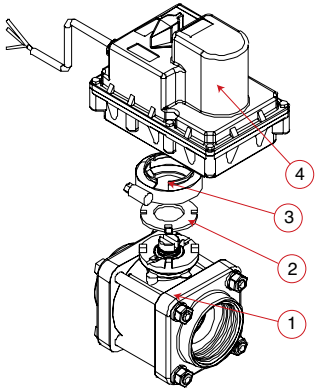
1", 2" & 3" ON/OFF ELECTRIC MANIFOLD VALVES					
PART NO	DESCRIPTION	MAX PSI	PIPE SIZE	OPENING THRU BALL	QTY
MEV100CF	1" Full Port Electric Valve	300	1"	1"	1
MEV200CF	2" Standard Port Electric Valve	300	2"	1 1/2"	1
MEV220CF	2" Full Port Electric Valve	225	2"	2"	1

## 4 SECOND RESPONSE TIME

1" & 2" REGULATING ELECTRIC MANIFOLD VALVES					
PART NO	DESCRIPTION	MAX PSI	PIPE SIZE	OPENING THRU BALL	QTY
MEVR100CF	1" Full Port Electric Valve	300	1"	1"	1
MEVR200CF	2" Standard Port Electric Valve	300	2"	1 1/2"	1
MEVR220CF	2" Full Port Electric Valve	225	2"	2"	1

Note: 2 wire regulating and other response times available. Contact our Sales Team for part number and availability of valves.

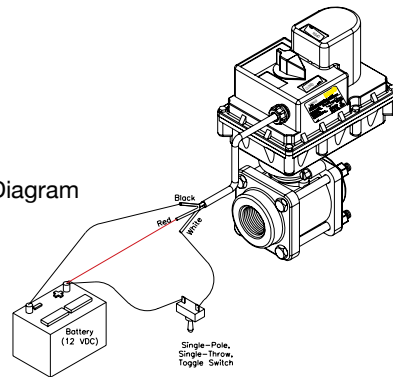
Fast repair replacement options.



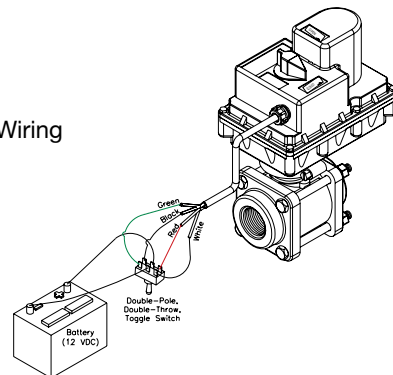
ELECTRIC VALVE REPAIR KIT INCLUDES:

1 Gasket    1 Stem w/Seals    1 Ball Seals    1 Body O-Ring

On/Off Wiring Diagram



Regulating Wiring Diagram



REPLACEMENT PARTS				
MEV100CF-MEV200CF-MEV220CF-MEV300CF-MEVR100CF-MEVR200CF-MEVR220CF				
ITEM	PART NO	DESCRIPTION	QTY	
1	MEV100XR1	1" Full Port Electric Valve Sub Assembly	1	
1	MEV200XR1	2" Electric Valve Sub Assembly	1	
1	MEV220XR1	2" Full Port Electric Valve Sub Assembly	1	
2	MVE004	Electric Valve Flange Gasket	1	
3	FC-100	1" Flange Clamp	1	
4	EV3300	1" 3/4 Second 3 Wire Motor Assembly	1	
4	EV4300	2" 1 1/4 Second 3 Wire Motor Assembly	1	
4	EVR3300	Regulating 4 Wire, 4 Second for 1"	1	
4	EVR4300	Regulating 4 Wire, 4 Second for 2"	1	
KIT	EV10210	1" Repair Kit	1	
KIT	EV20210	2" Repair Kit	1	
KIT	EV25210	2" FP Repair Kit	1	



MANIFOLD FLANGE CONNECTIONS

## FEATURES

- 3" has stainless steel ball and stem.
- Fiberglass reinforced polypropylene.
- PTFE seats.
- 12-volt DC operated.
- Internally fused/automatic reset.
- Open/closed indicator.

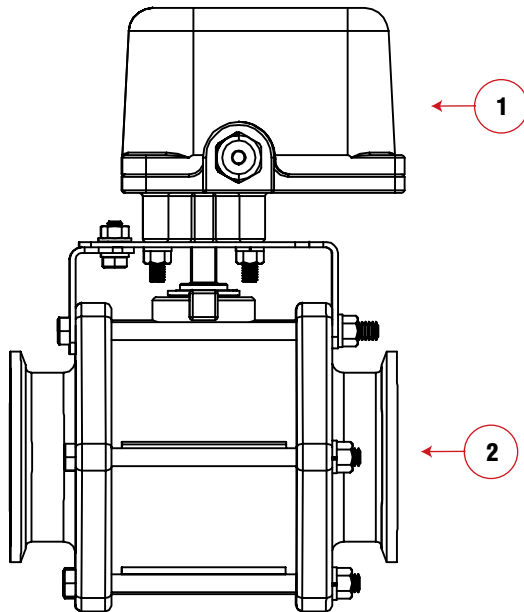
Don't forget the manifold connections on pages 43-47.



## 3 SECOND RESPONSE TIME

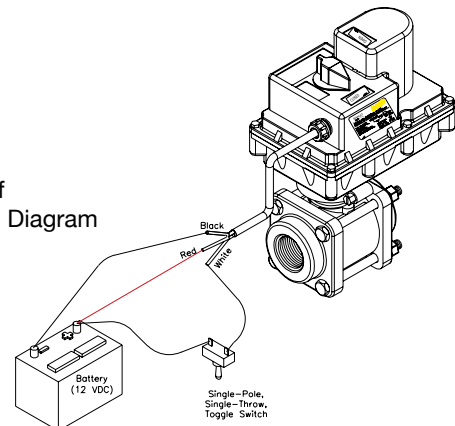
3" ON/OFF ELECTRIC MANIFOLD VALVES					
PART NO	DESCRIPTION	MAX PSI	PIPE SIZE	OPENING THRU BALL	QTY
MEV300CF	3" Full Port Electric Valve	200	3"	3"	1

Note: 2 wire regulating and other response times available. Contact our Sales Team for part number and availability of valves.



REPLACEMENT PARTS MEV300FP			
ITEM	PART NO	DESCRIPTION	QTY
1	VE5630	3 Sec, 12VDC Motor	1
2	MEV300XR1A	3" Manifold Electric Valve Only	1
KIT	EV35210	Repair Kit	1

On/Off Wiring Diagram



# 3-Way Side Load Electric Manifold Valves 1", 1½", & 2" Full Port

## FEATURES

- 316 stainless steel ball & stem.
- Fiberglass reinforced polypropylene.
- PTFE seats.
- 12-volt DC operated.
- Internally fused/automatic reset.
- Open/closed indicator.

## ¾ to 1¼ RESPONSE TIME

1" & 2" SIDE LOAD ELECTRIC MANIFOLD VALVES						
PART NO	DESCRIPTION	MAX PSI	PIPE SIZE	OPENING THRU BALL	QTY	
MEV100SLCF	1" Full Port Electric Valve	300	1"	1"	1	
MEV200SLCF	2" Standard Port Electric Valve	300	2"	1½"	1	
MEV220SLCF	2" Full Port Electric Valve	150	2"	2"	1	

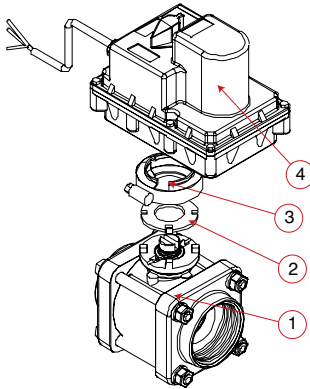
## 4 SECOND RESPONSE TIME

1" & 2" REGULATING SIDE LOAD ELECTRIC MANIFOLD VALVES						
PART NO	DESCRIPTION	MAX PSI	PIPE SIZE	OPENING THRU BALL	QTY	
MEVR100SLCF	1" Full Port Electric Valve	300	1"	1"	1	
MEVR200SLCF	2" Standard Port Electric Valve	300	2"	1½"	1	
MEVR220SLCF	2" Full Port Electric Valve	150	2"	2"	1	

### ELECTRIC VALVE REPAIR KIT INCLUDES:

1 Gasket    1 Stem w/Seals    1 Ball Seals    1 Body O-Ring

Fast repair replacement options.



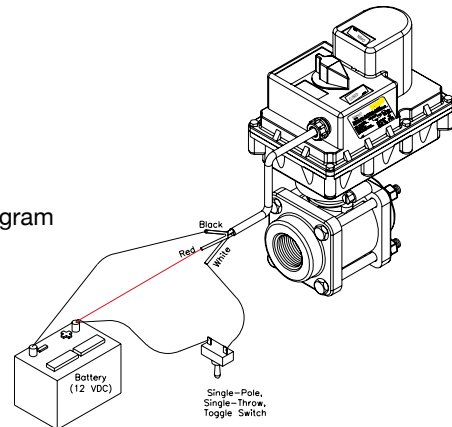
REPLACEMENT PARTS				
MEV100SLCF-MEV100SLXR1-MEV200SLCF-MEV200SLXR1-MEV220SLCF-MEV220SLXR1				
ITEM	PART NO	DESCRIPTION	QTY	
1	MEV100SLXR1	1" Full Port Electric Valve Sub Assembly	1	
1	MEV200SLXR1	2" Electric Valve Sub Assembly	1	
1	MEV220SLXR1	2" Full Port Electric Valve Sub Assembly	1	
2	MVE004	Electric Valve Flange Gasket	1	
3	FC100	1" Flange Clamp	1	
4	EV3300	1" ¾ Second 3 Wire Motor Assembly	1	
4	EV4300	2" 1¼ Second 3 Wire Motor Assembly	1	
4	EVR3300	Regulating 4 Wire, 4 Second for 1"	1	
4	EVR4300	Regulating 4 Wire, 4 Second for 2"	1	
KIT	EV10210	1" Repair Kit	1	
KIT	EV20210	2" Repair Kit	1	
KIT	EV25210	2" FP Repair Kit	1	



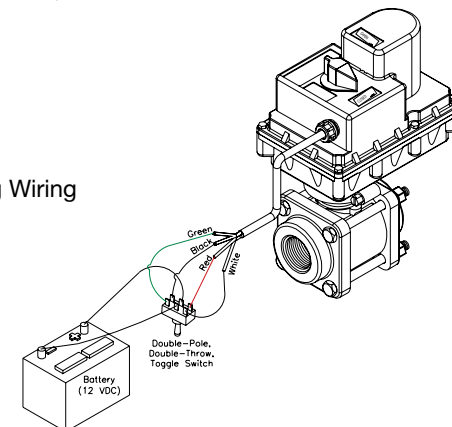
### SIDE LOAD:

Directional flow left or right. Valve flow cannot be turned off.

On/Off Wiring Diagram



Regulating Wiring Diagram



# 3-Way Bottom Load Electric Manifold Valves banjosales@idexcorp.com

## 1", 1½", & 2" Full Port

### FEATURES

- 316 stainless steel ball & stem.
- Fiberglass reinforced polypropylene.
- PTFE seats.
- 12-volt DC operated.
- Internally fused/automatic reset.
- Open/closed indicator.

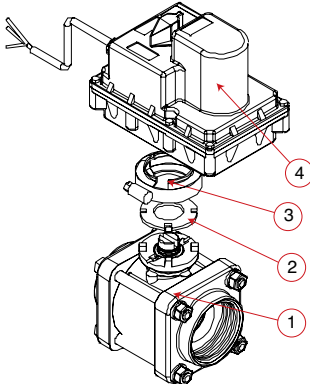


**¾ to 1¼ Response time**

1" & 2" BOTTOM LOAD ELECTRIC MANIFOLD VALVES					
PART NO	DESCRIPTION	MAX PSI	PIPE SIZE	OPENING THRU BALL	QTY
MEV100BLCF	1" Full Port Electric Valve	300	1"	1"	1
MEV200BLCF	2" Standard Port Electric Valve	300	2"	1½"	1
MEV220BLCF	2" Full Port Electric Valve	150	2"	2"	1

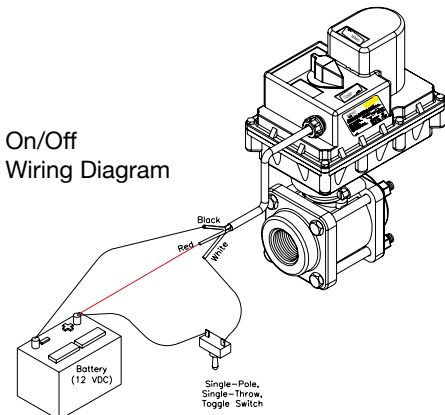
**NOTE: NO Regulating Valve available for 3-way bottom load electric manifold valves.**

Fast repair replacement options.



REPLACEMENT PARTS MEV100BLCF-MEV200BLCF-MEV220BLCF			
ITEM	PART NO	DESCRIPTION	QTY
1	MEV100BLXR1	1" Full Port Electric Valve Sub Assembly	1
1	MEV200BLXR1	2" Electric Valve Sub Assembly	1
1	MEV220BLXR1	2" Full Port Electric Valve Sub Assembly	1
2	MVE004	Electric Valve Flange Gasket	1
3	FC100	1" Flange Clamp	1
4	EV3300	1" ¾ Second 3 Wire Motor Assembly	1
4	EV4300	2" 1¼ Second 3 Wire Motor Assembly	1
KIT	EV10210	1" Repair Kit	1
KIT	EV20210	2" Repair Ki	1
KIT	EV25210	2" FP Repair Kit	1

On/Off  
Wiring Diagram



MANIFOLD FLANGE CONNECTIONS



# Manifold Bolted Ball Valves 4 and 6 Bolt Valves

## FEATURES

- FKM (viton type) seals.
- PTFE self-lubricating stem bushings and seats cannot stick or bind.
- Precision molded in polypropylene. Polypropylene is reinforced with fiberglass for additional strength.
- Self-aligning ball moves freely against the PTFE seats for smooth operation. The valve opens and closes with very little pressure on the handle.
- Ball is diamond turned, after molding, to make it spherically perfect, which provides precise contact between ball and seats.

MANIFOLD FLANGE CONNECTIONS



MANIFOLD 4 & 6 BOLTED VALVES							
PART NO	DESCRIPTION	MAX PSI	PIPE SIZE	OPENING THRU BALL	QTY	HANDLE REPLACEMENT	REPAIR KIT
MV100CF	1" Flange Ball Valve	300	1"	1"	24/box	V10153A	V10200
MV200CF	2" Flange Ball Valve	225	2"	1½"	12/box	V20153	V20200
MV220CF	2" Full Port Flange Ball Valve	300	2"	2"	8/box	V25153	V25200
MV300	3" Standard Flange Ball Valve	150	3"	2½"	6/box	V25153	V30200
MV300CF	3" Full Port Flange Ball Valve	200	3"	3"	6/box	V25153	V35200

VALVE REPAIR KIT INCLUDES:		
1 Ball	2 Body O-Rings	1 Thrust Washer
2 Ball Seats	1 Upper Stem Bushing	1 Stem O-Ring

**For faster shipping, order in box quantities.**



### FEATURES

- FKM (viton type) seals.
- PTFE self-lubricating stem bushings and seats cannot stick or bind.
- Precision molded in polypropylene. Polypropylene is reinforced with fiberglass for additional strength.
- Self-aligning ball moves freely against the PTFE seats for smooth operation. The valve opens and closes with very little pressure on the handle.
- Ball is diamond turned, after molding, to make it spherically perfect, which provides precise contact between ball and seats.

### FEATURES

- 12 Volt DC operated.
- 3 Second per quarter turn cycle time.
- FKM (viton type) seals.
- PTFE self-lubricating stem bushings and seats cannot stick or bind.
- Precision molded in polypropylene. Polypropylene is reinforced with fiberglass for additional strength.
- Self-aligning ball moves freely against the PTFE seats for smooth operation. The valve opens and closes with very little pressure on the handle.
- Stainless steel ball and stem.



MV225CF



MEV225CF

MANIFOLD BOLTED 5 WAY VALVE						
PART NO	DESCRIPTION	MAX PSI	PIPE SIZE	OPENING THRU BALL	QTY	REPAIR KIT
MV225CF	2" Full Port Flange 5 Way Valve	100	2"	2"	1	MV225200
MEV225CF	2" Full Port Electric Flange 5 Way Valve	300	2"	2"	1	MV225200

# Manifold Valves

## 2" Standard Port Manifold Stubby Valve

### FEATURES

- Stainless steel bolts.
- Glass reinforced polypropylene.
- Multiple design options.
- Unique patented compact design.
- Lightweight.

*For faster shipping, order in box quantities.*



VSMT200CF



VSF200CF

2" MANIFOLD STUBBY VALVES							
PART NO	DESCRIPTION	MAX PSI	PIPE SIZE	OPENING THRU BALL	QTY	HANDLE REPLACEMENT	REPAIR KIT
VSMT200CF	2" Flange x 2" Male NPT	150	2"	1½"	24/box	VS20152SH	VS20200
VSF200CF	2" Flange x 2" Male Adapter	100	2"	1½"	24/box	VS20152SH	VS20200

# Manifold Valves

## 2" Full Port Manifold Stubby Valve



MVS220FP



MVS220CF



MVSF220FP



MVSMT220FP

2" FULL PORT MANIFOLD STUBBY VALVES							
PART NO	DESCRIPTION	MAX PSI	PIPE SIZE	OPENING THRU BALL	QTY	HANDLE REPLACEMENT	REPAIR KIT
MVS220FP	2" FP Flange x 2" Female NPT	300	2"	2"	8/box	VS25153	VS25200
MVSF220FP	2" FP Flange x 2" Male Adapter	150	2"	2"	8/box	VS25153	VS25200
MVS220CF	2" FP Flange x 2" FP Flange	150	2"	2"	8/box	VS25153	VS25200
MVSMT220FP	2" FP Flange x 2" Male NPT	225	2"	2"	8/box	VS25153	VS25200

## 2" Full Port Stainless Steel Manifold Stubby Valves

### FEATURES

- Stainless steel bolts.
- Glass reinforced polypropylene.
- Multiple design options.
- Unique patented compact design.
- Lightweight.



MVS220HSFP



MVSF220HSFP



MVSMT220HSFP

2" FULL PORT MANIFOLD STUBBY VALVES W/SS								
PART NO	DESCRIPTION	MAX PSI	PIPE SIZE	OPENING THRU BALL	QTY	HANDLE REPLACEMENT	REPAIR KIT	
MVS220HSFP	2" FP Flange x 2" FP Flange w/ SS Ball, Stem & Handle	200	2"	2"	1	VS25153SS	VSSH25200	
MVSF220HSFP	2" FP Flange x 2" Male Adapter w/SS Ball, Stem & Handle	150	2"	2"	1	VS25153SS	VSSH25200	
MVSMT220HSFP	2" FP NPT x 2" Male Flange w/SS Ball, Stem & Handle	200	2"	2"	1	VS25153SS	VSSH25200	

### FEATURES

- 100% PTFE ball seats.
- Unique compact design.
- All PTFE seals. No elastomers.



MVSF220SS

2" FULL PORT MANIFOLD STAINLESS STEEL STUBBY VALVES								
PART NO	DESCRIPTION	MAX PSI	PIPE SIZE	OPENING THRU BALL	QTY	HANDLE REPLACEMENT	REPAIR KIT	
MVS220SS	2" FP Flange x 2" FP Flange Stainless Steel Stubby Valve	300	2"	2"	1	VSS20153	VSSS25200	
MVSF220SS	2" FP Flange x 2" Male Adapter Stainless Steel Stubby Valve	300	2"	2"	1	VSS20153	VSSS25200	
MVSMT220SS	2" FP Male NPT x 2" FP Flange Stainless Steel Stubby Valve	225	2"	2"	1	VSS20153	VSSS25200	



2" FULL PORT STAINLESS STEEL STUBBY VALVE								
PART NO	DESCRIPTION	MAX PSI	PIPE SIZE	OPENING THRU BALL	QTY	HANDLE REPLACEMENT	REPAIR KIT	
VSFMT220SS	2" FP Male Adapter x 2" NPT Stainless Steel Stubby Valve	225	2"	2"	1	VSS20153	VSSS25200	

# Manifold Valves

## 3" Manifold Stubby Valve

### FEATURES

- Stainless steel bolts.
- Glass reinforced polypropylene.
- Multiple design options.
- Unique patented compact design.
- Lightweight.



MVSF300



MVSF300FP



MVSMT300

3" MANIFOLD STUBBY VALVES							
PART NO	DESCRIPTION	MAX PSI	PIPE SIZE	OPENING THRU BALL	QTY	HANDLE REPLACEMENT	REPAIR KIT
MVSF300	3" Flange x 3" Male Adapter	100	3"	2½"	6/box	V25153	VS30200
MVSF300FP	3" Full Port Flange x 3" Male Adapter	100	3"	3"	6/box	V25153	VS35200
MVSMT300	3" Flange x 3" Male NPT	225	3"	2½"	8/box	V25153	VS30200

**For faster shipping, order in box quantities.**



MVS300CF



MVS300CFFP

3" MANIFOLD STUBBY VALVES							
PART NO	DESCRIPTION	MAX PSI	PIPE SIZE	OPENING THRU BALL	QTY	HANDLE REPLACEMENT	REPAIR KIT
MVS300CF	3" Flange x 3" Flange	200	3"	2½"	6/box	V25153	VS30200
MVS300CFFP	3" Full Port Flange x 3" Full Port Flange	150	3"	3"	6/box	V25153	VS35200



# Manifold Valves

## 3" Full Port Stainless Steel Manifold Stubby Valve

### FEATURES

- Stainless steel ball, stem, handle and bolts.
- Glass reinforced polypropylene.
- Multiple design options.
- Unique patented compact design.
- Lightweight.



MVS300HSFP



MVSF300HSFP



MVSMT300HSFP

3" FULL PORT MANIFOLD STUBBY VALVES W/SS							
PART NO	DESCRIPTION	MAX PSI	PIPE SIZE	OPENING THRU BALL	QTY	HANDLE REPLACEMENT	REPAIR KIT
MVS300HSFP	3" FP Flange x 3" FP Flange w/SS Ball, Stem & Handle	100	3"	3"	1/bx	VS30153SS	VSSH35200
MVSF300HSFP	3" FP Flange x 3" Male Adapter w/SS Ball, Stem & Handle	100	3"	3"	1/bx	VS30153SS	VSSH35200
MVSMT300HSFP	3" FP Flange x 3" Male NPT w/SS Ball, Stem & Handle	200	3"	3"	1/bx	VS30153SS	VSSH35200

# 3-Way Manifold Ball Valves

## FEATURES

- Stainless steel bolts.
- Precision molded in polypropylene. Polypropylene is reinforced with fiberglass for additional strength.
- Self-aligning ball moves freely against the PTFE seats for smooth operation.
- The valve opens and closes with very little pressure on the handle.
- Ball is diamond turned, after molding, to make it spherically perfect, which provides precise contact between ball and seats.
- PTFE self-lubricating stem bushings and seats cannot stick or bind.
- FKM (viton type) seals.



MV100BL



MV200BL



MV220BL



MV300BL

BOLTED BOTTOM LOAD MANIFOLD VALVES								
PART NO	DESCRIPTION	MAX PSI	FLANGE SIZE	OPENING THRU BALL	HANDLE TYPE	QTY	REPLACEMENT HANDLE	REPAIR KIT
MV100BL	1" Manifold Flanged Valve	300	1"	1"	T	18/box	V10353TB	MV10300SL
MV200BL	2" Manifold Flanged Valve	225	2"	1½"	T	12/box	V20353TB	MV10300SL
MV220BL	2" Full Port Manifold Flanged Valve	150	2"	2"	Straight	8/box	V25353TB (T) V25353B (Straight)	V25200BL
MV300BL	3" Full Port Manifold Flanged Valve	150	3"	3"	Straight	4/box	V25353B	V35200BL

**BOTTOM LOAD:** Directional flow right or left. Valve can be turned off to stop flow.

*For faster shipping, order in box quantities.*

## FEATURES

- Stainless steel bolts.
- Precision molded in polypropylene. Polypropylene is reinforced with fiberglass for additional strength.
- Self-aligning ball moves freely against the PTFE seats for smooth operation.
- The valve opens and closes with very little pressure on the handle.
- Ball is diamond turned, after molding, to make it spherically perfect, which provides precise contact between ball and seats.
- PTFE self-lubricating stem bushings and seats cannot stick or bind.
- FKM (viton type) seals.



MV100SL



MV200SL



MV220SL

### 4 BOLT SIDE LOAD MANIFOLD VALVES

PART NO	DESCRIPTION	MAX PSI	FLANGE SIZE	OPENING THRU BALL	HANDLE TYPE	QTY	REPLACEMENT HANDLE	REPAIR KIT
MV100SL	1" Manifold Flanged Valve	300	1"	1"	T	18/box	V20353TS	MV10300SL
MV200SL	2" Manifold Flanged Valve	225	2"	1½"	Straight	10/box	V20153SH	MV10300SL
MV220SL	2" Full Port Manifold Flanged Valve	100	2"	2"	Straight	8/box	V25153SH	V25200BL

**SIDE LOAD:** Directional flow right or left. Valve cannot be turned off.

## Manifold Pressure Spike Valves

### FEATURES

- Precision molded in polypropylene. Polypropylene is reinforced with fiberglass for additional strength.
- Preset pressure spring.
- Poppet is diamond turned, after molding, to make it spherically perfect, which provides precise seal.
- 360° Orientation.
- FKM (viton type) seals.



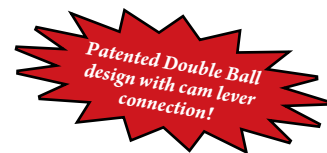
### MANIFOLD PRESSURE SPIKE VALVES

PART NO	DESCRIPTION	PRESSURE SPIKE	QTY
MPRV100-100	1" Pressue Spike Valve	300	1
MPRV100-125	1" Pressue Spike Valve	300	1

# Manifold Dry Disconnect

## FEATURES

- Lightweight.
- Unrestricted flow.
- Minimal fluid spillage.
- Easy to use.
- Economical.
- Reduces risk of exposure.
- Wide range of chemical resistance.
- When properly installed and operated, the assembly will not accidentally separate while fluid is flowing; preventing costly mishaps.



3"



MALE

2"

FEMALE

*Note: Male & female sold separately.*

MANIFOLD DRY DISCONNECTS							
PART NO	DESCRIPTION	MAX PSI	FLANGE SIZE	OPENING THRU BALL	QTY	HANDLE REPLACEMENT	REPAIR KIT
DM200ACF	2" Flanged Male Dry-Mate w/ FKM (viton type) Seals	100	2"	1½"	1	DM20153M	DM20200A
DM200DCF	2" Flanged Female Dry-Mate w/ FKM (viton type) Seals	100	2"	1½"	1	DM20153F	DM20200A
DM300ACF	3" Flanged Male Dry-Mate w/ FKM (viton type) Seals	150	3"	3"	1	DM35153M	DM35200
DM300DCF	3" Flanged Female Dry-Mate w/ FKM (viton type) Seals	150	3"	3"	1	DM35153F	DM35200

# Polypropylene Inductors

## FEATURES

- Threaded or manifold ends.
- Glass reinforced polypropylene.
- 1½" & 2" sizes available.



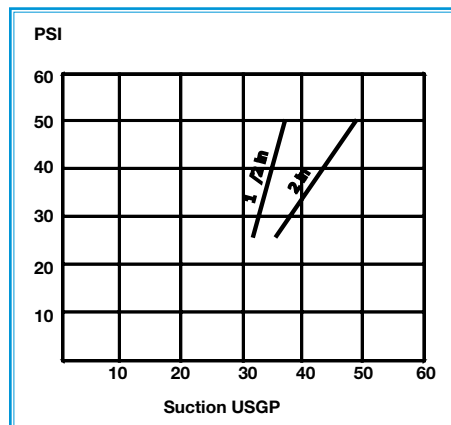
MHV200  
MHV220A



HV200

**NOTE:** The inductor is designed for use with a volume pump. Typical volumes and pressures used to operate the venturi would be in the 80 to 240 US GPM range at pressures from 26 to 52 P.S.I.

POLY INDUCTORS					
PART NO	DESCRIPTION	PRESSURE AT PUMP	VOLUME DRAW*	OPENING SIZE	QTY
HV200	2" MPT Poly Inductor	225	49 GPM	7/16"	1
MHV200	2" Manifold Poly Inductor with 1½" Port	300	37 GPM	5/16"	1
MHV220A	2" FP Manifold Poly Inductor	225	49 GPM	9/16"	1



\*Note: US GPM. Tests done with water at ambient temperature. Pump used for test was a 2" Banjo (5 vane impeller) driven by a 5.5 hp Honda gas motor. Performance may vary depending on pump used & product being pumped.



## FEATURES

- Installed after pump; suction completely empties inductor tank.
- Keeps tank free of chemicals.
- 2" & 3" full port flow.
- Easy assembly/installation with manifold connections.

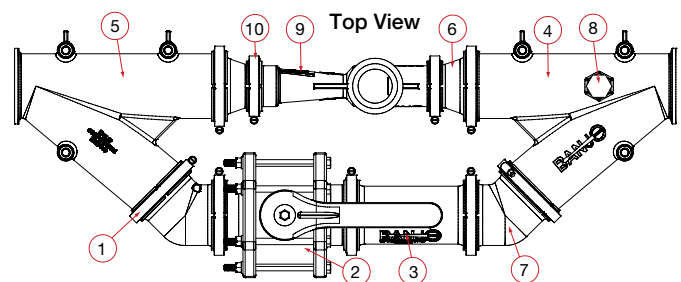
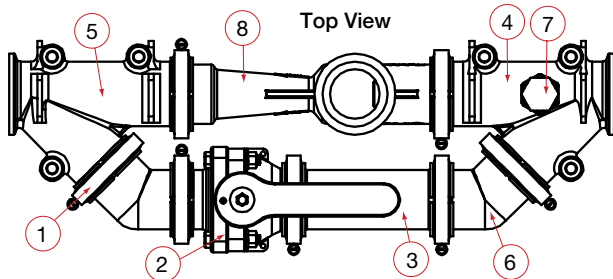
\*Note: Tank not included.

**Draws wettable powders or liquids from inductor tank for thorough chemical mixing!**



MANIFOLD INDUCTOR SYSTEM			
PART NO	DESCRIPTION	PSI	QTY
MIS220	2" Full Port Flange x Flange-Assembled	225	1
MIS300	3" Flange x Flange-Assembled	150	1

Flanged fittings, clamps & gaskets on page 47.



REPLACEMENT PARTS MIS220			
ITEM	PART NO	DESCRIPTION	QTY
1	FC220	220 Series Worm Screw Clamp	10
2	MVS220CF	2" FP Flange x 2" FP Flange	1
3	M220CPG6	2" x 2" Full Port Flange x 6"	1
4	M220YG45	2" Full Port 45° Y Flange w/ 3/4" gauge port*	1
5	M220Y45	2" Full Port 45° Y Flange	1
6	M220CPG45	2" Full Port 45° Coupling	2
7	PLUG075	3/4" Pipe Plug	1
8	MHV220A	2" Full Port Poly Venturi	1
N/S	M221G	2" Full Port EPDM Manifold Gasket with Rib	7

REPLACEMENT PARTS MIS300			
ITEM	PART NO	DESCRIPTION	QTY
1	FC300	300 Series Worm Screw Clamp	7
2	MV301CF	3" FP Flange x 3" FP Flange	1
3	M300CPG7	3" x 3" Full Port Flange x 7"	1
4	M300YG45	3" Full Port 45° Y Flange w/ 3/4" gauge port*	1
5	M300Y45	3" Full Port 45° Y Flange	1
6	M300220CPG	3" x 2" Full Port Reducer Flange	1
7	M300CPG45	3" Full Port 45° Coupling	2
8	PLUG075	3/4" Pipe Plug	1
9	MHV220A	2" Full Port Poly Venturi	1
10	FC220	220 Series Worm Screw Clamp	3
N/S	M221G	2" Full Port EPDM Manifold Gasket with Rib	2
N/S	M301G	3" EPDM Manifold Gasket with Rib	7

Note: \*Gauge not included.



# Flow Meters

## FEATURES

- Displays overall total volume & batch total volume!
  - Flow rate allows for Gallons or Liters Per Minute.
  - The display reads 6 digits for Rate, 8 digits for Total and 1 decimal place reading in tenths.
  - Magnetic style meter with stainless steel electrodes.
  - Self calibrating meter.
  - Measures water and most conductive liquids\*.
  - Easy to change six (6) AA batteries.
  - No moving parts to fail during use.
  - Glass-reinforced polypropylene.
  - Temperature range from 0°F to 150°F.
  - Accuracy is 99% from 2 to 110 GPM for 1".
  - Accuracy is 99% from 6 to 300 GPM for 2".
  - Accuracy is 99% from 14 to 670 GPM for 3".
  - There are 3 photoeyes located on the face of the flowmeter.
- Note:** These are not push buttons, to activate you must hold your finger over the photoeye for 2-4 seconds.

\* Will not read petroleum based liquids.



FM100

**110 GPM!**



MFM100

**300 GPM!**

**670 GPM!**



MFM300



MFM220

FLOW METERS			
PART NO	DESCRIPTION	MAX PSI	QTY
FM100	1" Full Port Female NPT Flow Meter	200	1
MFM100	1" Full Port Manifold Flow Meter	200	1
MFM220	2" Full Port Manifold Flow Meter	200	1
MFM300	3" Full Port Manifold Flow Meter	200	1

**Note:** It is recommended to have at least 10x the diameter of straight pipe before and after the flow meter.



**Note:** Please see Flange Clamps and Gaskets page 47

## FEATURES

- Direct replacement for standard 90° flanged couplings.
- Positive seals.
- Quick & easy assembly.
- Easy On/Off hose connections.
- 360° Orientation.



M100SWP90



M200SWP90



M100125BRBSWP90



M100BRBSWP90



M220200SWP90



M220ASWP90



M220BRBSWP90



M220MPTSWP90



M220SWP90



M220SWP90SS



M300ASWP90



M300BRBSWP90



M300MPTSWP90



M300SWP90



M100125BRBSWPG90



M100BRBSWPG90



M100SWPG90



M300SWPG90

SWEEPS			
PART NO	DESCRIPTION	MAX PSI	QTY
M100125BRBSWP90	1" Flange x 1 1/4" Hose Shank Sweep	300	1
M100BRBSWP90	1" Flange x Hose Shank Sweep	300	1
M100SWP90	1" Flange x Flange Sweep	300	1
M200SWP90	2" Flange x Flange Sweep	300	1
M220200SWP90	2" Full Port Flange x 2" Flange Sweep	300	1
M220ASWP90	2" Full Port Flange x Male Adapter Sweep	200	1
M220BRBSWP90	2" Full Port Flange x Hose Shank Sweep	300	1
M220MPTSWP90	2" Full Port Flange x Male NPT Thread Sweep	300	1
M220SWP90	2" Full Port Flange x Flange Sweep	300	1
M220SWP90SS	2" Full Port SS Flange x Flange Sweep	300	1
M300ASWP90	3" Flange x Male Adapter Sweep	100	1
M300BRBSWP90	3" Flange x Hose Shank Sweep	225	1
M300MPTSWP90	3" Flange x Male NPT Thread Sweep	200	1
M300SWP90	3" Flange x Flange Sweep	200	1

SWEEPS w/Gauge Port			
PART NO	DESCRIPTION	MAX PSI	QTY
M100125BRBSWPG90	1" Full Port Flange x 1 1/4" Hose Shank Sweep w/ 1/4" gauge port	300	1
M100BRBSWPG90	1" Full Port Flange x 1" Hose Shank Sweep w/ 1/4" gauge port	300	1
M100SWPG90	1" Flange x Flange Sweep with 1/4" gauge port	300	1
M300SWPG90	3" Flange x Flange Sweep w/ 1/4" gauge port	200	1

# Boom Nozzle Pipe Adapter

## FEATURES

- Eliminates having to thread pipe.
- Quick and easy assembly.
- No welding necessary.
- 360° orientation.



BOOM NOZZLE PIPE ADAPTER			
PART NO	DESCRIPTION	MAX PSI	QTY
M100PA	1" Flanged Pipe Adapter	300	1
M100PAC	1" Flanged Pipe Adapter Cap	300	1
M100PAT	1" Flanged Pipe Adapter Tee	300	1

# Manifold Fittings

## FEATURES

- Positive seals.
- Quick & easy assembly.
- Easy On/Off hose connections.
- 360° Orientation.



MANIFOLD SWIVEL			
PART NO	DESCRIPTION	MAX PSI	QTY
MSW220	2" Full Port Manifold Flange Swivel	200	1



FLANGE x PVC GLUE SOCKET FITTING			
PART NO	DESCRIPTION	MAX PSI	QTY
M101GSA	1" Manifold Flange x 1" PVC Glue Socket Fitting	300	1
M221GSA	2" Manifold Full Port Flange x 2" PVC Glue Socket Fitting	300	1
M301GSA	3" Manifold Full Port Flange x 3" PVC Glue Socket Fitting	300	1



FLANGED POLY CHECK VALVES				
PART NO	DESCRIPTION	MAX PSI	FLOW	QTY
MCV100	1" Flanged Poly Check Valve	300	1"	1
MCV200	2" Flanged Poly Check Valve	300	1½"	1
MCV221	2" Full Port Flanged Poly Check Valve	200	2"	1
MCV300	3" Flanged Poly Check Valve	200	3"	1



FLANGE x SOCKET WELD - 316SS			
PART NO	DESCRIPTION	MAX PSI	QTY
M100SWFSS	1" Flange x 1" Socket Weld Fitting	300	1
M104SWFSS	1" Flange x 1" Socket Weld Fitting x 4"	300	1
M200SWFSS	2" Flange x 2" Socket Weld Fitting	300	1
M220SWFSS	2" Full Port Flange x 2" Socket Weld Fitting	300	1
M220375SWFSS	2" Full Port Flange x 2" Socket Weld Fitting x 3¾"	300	1
M300SWFSS	3" Flange x 3" Socket Weld Fitting	300	1
M300375SWFSS	3" Flange x 3" Socket Weld Fitting x 3¾"	300	1



FLANGED COUPLINGS			
PART NO	DESCRIPTION	MAX PSI	QTY
M100CPG	1" x 1" Flange x 2 1/4" Long	300	10/bag
M200CPG	2" x 2" Flange x 4 1/2" Long	300	10/bag
M220CPG	2" x 2" Full Port Flange x 2 31/32"	300	10/bag
M220CPG6	2" x 2" Full Port Flange x 6" Long	300	1
M300CPG	3" x 3" Full Port Flange x 4" Long	200	1
M300CPG7	3" x 3" Full Port Flange x 7" Long	225	1



45° FLANGED COUPLINGS			
PART NO	DESCRIPTION	MAX PSI	QTY
M100CPG45	1" x 1" 45° Flange	300	10/bag
M200CPG45	2" x 2" 45° Flange	300	10/bag
M220CPG45	2" x 2" 45° Full Port Flange	225	10/bag
M300CPG45	3" x 3" 45° Full Port Flange	225	1



90° FLANGED COUPLINGS			
PART NO	DESCRIPTION	MAX PSI	QTY
M100CPG90	1" x 1" 90° Flange	300	10/bag
M200CPG90	2" x 2" 90° Flange	300	1
M200CPG90SH	2" x 2" 90° Short Flange	300	1
M220CPG90	2" x 2" 90° Full Port Flange	200	1
M300CPG90	3" x 3" 90° Full Port Flange	200	1



45° Y FLANGED COUPLINGS			
PART NO	DESCRIPTION	MAX PSI	QTY
M220Y45	2" Full Port 45° Y Flange	300	1
M200YG45	2" 45° Y Flange w/ 3/4" gauge port*	300	1
M220YG45	2" Full Port 45° Y Flange w/ 3/4" gauge port*	225	1
M300Y45	3" Full Port 45° Y Flange	200	1
M300YG45	3" Full Port 45° Y Flange w/ 3/4" gauge port*	200	1

Note: \*Gauge not included.

**Must order in bag quantities for quick and easy shipping and receiving of your order.**



FLANGED REDUCER COUPLINGS			
PART NO	DESCRIPTION	MAX PSI	QTY
M200100CPG	2" Port x 1" Reducer Flange	300	10/bag
M220100CPG	2" Full Port x 1" Reducer Flange	225	10/bag
M220200CPG	2" Full Port x 2" Reducer Flange	225	10/bag
M300200CPG	3" x 2" Port Reducer Flange	225	1
M300220CPG	3" x 2" Full Port Reducer Flange	225	1



FLANGED TEE			
PART NO	DESCRIPTION	MAX PSI	QTY
M100TEE	1" Flanged Tee	300	10/bag
M101TEE	1" Flanged Tee - Long	300	10/bag
M200100TEE	2" Port x 1" Flanged Tee	300	1
M200TEE	2" Port Flanged Tee	300	1
M220100TEE	2" Full Port Flanged Tee x 1" Flanged Tee	225	1
M220200TEE	2" Full Port Flanged Tee x 2" Flanged Tee	300	1
M220TEE	2" Full Port Flanged Tee	225	1
M300TEE	3" Flanged Tee	225	1



U BOLTS-SS			
PART NO	DESCRIPTION	MAX PSI	QTY
UB100	100 Series Mounting U Bolt	N/A	1
UB202	200 Series Mounting U Bolt	N/A	1
UB220	220 Series Mounting U Bolt	N/A	1



MANIFOLD BUTT WELD ADAPTER			
PART NO	DESCRIPTION	MAX PSI	QTY
M220BWASS	2" Full Port Stainless Steel Manifold Butt Weld Adapter	300	1



BUTT WELD PIPE SWEEP			
PART NO	DESCRIPTION	MAX PSI	QTY
BW220SWP90SS	2" 90° Full Port Stainless Steel Butt Weld Pipe Sweep	300	1

MANIFOLD FLANGE CONNECTIONS


# Manifold Fittings

## FEATURES


- Positive seals.
- Quick & easy assembly.
- Easy On/Off hose connections.
- 360° Orientation.

**Must order in bag quantities for quick and easy shipping and receiving of your order.**


MANIFOLD FLANGE CONNECTIONS




FLANGE x MALE BSP(BRITISH STANDARD PIPE)			
PART NO	DESCRIPTION	MAX PSI	QTY
M100BSP	1" Manifold Flange x 1" Male BSP	300	10/bag
M200BSP	2" Manifold Flange x 2" Male BSP	300	10/bag
M220BSP	2" Full Port Manifold Flange x 2" Male BSP	300	10/bag
M300BSP	3" Full Port Manifold Flange x 3" Male BSP	300	1




FLANGE x FEMALE NPT THREAD			
PART NO	DESCRIPTION	MAX PSI	QTY
M100050FPT	1" Flange x 1/2" Pipe Thread	300	10/bag
M100075FPT	1" Flange x 3/4" Pipe Thread	300	10/bag
M100FPT	1" Flange x 1" Pipe Thread	300	10/bag
M200FPT	2" Flange x 2" Pipe Thread	300	10/bag
M220FPT	2" Full Port Flange x 2" Pipe Thread	300	10/bag
M300FPT	3" Flange x 3" Pipe Thread	200	1




FLANGE x NPT THREAD			
PART NO	DESCRIPTION	MAX PSI	QTY
M100075MPT	1" Flange x 3/4" Male Thread	300	10/bag
M100MPT	1" Flange x 1" Male Thread	300	10/bag
M100125MPT	1" Flange x 1 1/4" Male Thread	300	10/bag
M200125MPT	2" Flange x 1 1/4" Male Thread	300	10/bag
M200150MPT	2" Flange x 1 1/2" Male Thread	300	10/bag
M200MPT	2" Flange x 2" Male Thread	300	10/bag
M220MPT	2" Full Port Flange x 2" Male Thread	300	10/bag
M300MPT	3" Flange x 3" Male Thread	300	1




FLANGE x MALE NPT THREAD -316SS			
PART NO	DESCRIPTION	MAX PSI	QTY
M100MPTSS	1" Flange x 1" Male Thread	300	1
M200125MPTSS	2" Flange x 1 1/4" Male Thread	300	1
M200150MPTSS	2" Flange x 1 1/2" Male Thread	300	1
M200MPTSS	2" Flange x 2" Male Thread	300	1
M220150MPTSS	2" Full Port Flange x 1 1/2" Male Thread	300	1
M220MPTSS	2" Full Port Flange x 2" Male Thread	300	1
M300220MPTSS	3" Flange x 2" Full Port Male Thread	300	1
M300MPTSS	3" Flange x 3" Male Thread	300	1




FLANGE PLUGS (SOLID & W/GAUGE PORT)			
PART NO	DESCRIPTION	MAX PSI	QTY
M100PLG	1" Flange Plug	300	10/bag
M200PLG	2" Flange Plug	300	10/bag
M220PLG	2" Full Port Flange Plug	300	10/bag
M300PLG	3" Flange Plug	225	10/bag
M100PLG025	1" Flange Plug with 1/4" FPT	300	10/bag
M100PLG050	1" Flange Plug with 1/2" FPT	300	10/bag
M200PLG025	2" Flange Plug with 1/4" FPT	225	10/bag
M200PLG038	2" Flange Plug with 3/8" FPT	300	10/bag
M200PLG050	2" Flange Plug with 1/2" FPT	225	10/bag
M200PLG075	2" Flange Plug with 3/4" FPT	225	10/bag
M220PLG100	2" Full Port Flange Plug with 1" FPT	225	10/bag
M220PLG038	2" Full Port Flange Plug with 3/8" FPT	150	10/bag
M220PLG075	2" Full Port Flange Plug with 3/4" FPT	225	10/bag
M300PLG075	3" Flange Plug with 3/4" FPT	200	10/bag
M300PLG100	3" Flange Plug with 1" FPT	200	1



FLANGE x FEMALE QDC			
PART NO	DESCRIPTION	MAX PSI	QTY
M220D	2" Full Port Flange x 2" Female Coupler	225	1
M303D	3" Full Port Flange x 3" Female Coupler w/3 Arms	225	1




FLANGE x MALE QDC			
PART NO	DESCRIPTION	MAX PSI	QTY
M100A	1" Flange x 1" Male Adapter	300	10/bag
M200A	2" Flange x 2" Male Adapter	300	10/bag
M220A	2" Full Port Flange x 2" Male Adapter	225	10/bag
M300A	3" Full Port Flange x 3" Male Adapter	100	1




FLANGE x HOSE BARB			
PART NO	DESCRIPTION	MAX PSI	QTY
M100075BRB	1" Flange x 3/4" Hose Barb	300	10/bag
M100BRB	1" Flange x 1" Hose Barb	300	10/bag
M100125BRB	1" Flange x 1 1/4" Hose Barb	300	10/bag
M200100BRB	2" Flange x 1" Hose Barb	300	10/bag
M200125BRB	2" Flange x 1 1/4" Hose Barb	300	10/bag
M200150BRB	2" Flange x 1 1/2" Hose Barb	300	10/bag
M200BRB	2" Flange x 2" Hose Barb	300	10/bag
M220100BRB	2" Full Port Flange x 1" Hose Barb	300	10/bag
M220125BRB	2" Full Port Flange x 1 1/4" Hose Barb	300	10/bag
M220150BRB	2" Full Port Flange x 1 1/2" Hose Barb	300	10/bag
M220250BRB	2" Full Port Flange x 2 1/2" Hose Barb	225	1
M220BRB	2" Full Port Flange x 2" Hose Barb	300	10/bag
M300220BRB	3" Flange x 2" Hose Barb	125	1
M300BRB	3" Flange x 3" Hose Barb	200	1







FLANGE x 90° HOSE BARB ELBOW			
PART NO	DESCRIPTION	MAX PSI	QTY
M100075BRB90	1" Flange x 3/4" 90° Hose Barb Elbow	300	10/bag
M100BRB90	1" Flange x 1" 90° Hose Barb Elbow	300	10/bag
M100125BRB90	1" Flange x 1 1/4" 90° Hose Barb Elbow	300	10/bag
M100150BRB90	1" Flange x 1 1/2" 90° Hose Barb Elbow	300	10/bag
M200100BRB90	2" Flange x 1" 90° Hose Barb Elbow	300	10/bag
M200125BRB90	2" Flange x 1 1/4" 90° Hose Barb Elbow	300	10/bag
M200150BRB90	2" Flange x 1 1/2" 90° Hose Barb Elbow	300	1
M200BRB90	2" Flange x 2" 90° Hose Barb Elbow	300	1
M220150BRB90	2" Full Port Flange x 1 1/2" 90° Hose Barb Elbow	300	1
M220BRB90	2" Full Port Flange x 2" 90° Hose Barb Elbow	300	1
M300220BRB90	3" Flange x 2" 90° Hose Barb Elbow	300	1
M300BRB90	3" Flange x 3" 90° Hose Barb Elbow	150	1




FLANGE x 45° HOSE BARB ELBOW			
PART NO	DESCRIPTION	MAX PSI	QTY
M100BRB45	1" Flange x 1" 45° Hose Barb Elbow	300	10/bag
M200BRB45	2" Flange x 2" 45° Hose Barb Elbow	300	1
M220BRB45	2" Full Port Flange x 2" 45° Hose Barb Elbow	300	10/bag
M300BRB45	3" Flange x 3" 45° Hose Barb Elbow	150	1




FLANGE x 45° HOSE BARB ELBOW			
PART NO	DESCRIPTION	MAX PSI	QTY
M200150BRB45	2" Flange x 1 1/2" 45° Hose Barb Elbow	300	10/bag



FLANGE x HOSE BARB TEE			
PART NO	DESCRIPTION	MAX PSI	QTY
M100100HBT	1" Flange x 1" Hose Barb Tee	300	10/bag
M100125HBT	1" Flange x 1 1/4" Hose Barb Tee	300	10/bag
M220200HBT	2" Full Port Flange x 2" Hose Barb Tee	300	1
M300300HBT	3" Flange x 3" Hose Barb Tee	150	1




FLANGED CROSS			
PART NO	DESCRIPTION	MAX PSI	QTY
M100CR	1" Flanged Cross	300	10/bag
M200CR	2" Flanged Cross	300	1
M220CR	2" Full Port Flanged Cross	200	1
M300CR	3" Flanged Cross	125	1




Bolted  
Teflon coated SS nut


For Heavy duty use!





BOLTED FLANGE CLAMPS			
PART NO	DESCRIPTION	TORQUE	QTY
FC220B	2" Full Port Bolted Flange Clamp	150 in/lbs	1
FC300B	3" Bolted Flange Clamp	150 in/lbs	1



T-Bolt



T-BOLT FLANGE CLAMPS			
PART NO	DESCRIPTION	TORQUE	QTY
FC220TB	2" Full Port Hi-Torque T-Bolt Flange Clamp	125 in/lbs	10/bag
FC300TB	3" Full Port Hi-Torque T-Bolt Flange Clamp	125 in/lbs	10/bag

FLANGE CLAMPS			
PART NO	DESCRIPTION	TORQUE	QTY
FC100	100 Series Worm Screw Clamp	50-60 in/lbs	10/bag
FC200	200 Series Worm Screw Clamp	90-100 in/lbs	10/bag
FC220	220 Series Worm Screw Clamp	90-100 in/lbs	10/bag
FC300	300 Series Worm Screw Clamp	90-100 in/lbs	10/bag



Rib keeps gasket in place during assembly.



FLANGE GASKETS		
PART NO	DESCRIPTION	QTY
M100G	100 Series EPDM Manifold Gasket	1
M101G	100 Series EPDM Manifold Gasket with Rib	1
M100GV	100 Series FKM (viton type) Gasket	1
150G	1 1/2" EPDM Gasket	1
150GV	200 Series FKM (viton type) Gasket	1
200G	220 Series Full Port EPDM Gasket	1
200GV	220 Series Full Port FKM (viton type) Gasket	1
M201G	200 Series EPDM Manifold Gasket with Rib	1
M221G	220 Series Full Port EPDM Manifold Gasket with Rib	1
300G	300 Series EPDM Gasket	1
300GV	300 Series FKM (viton type) Gasket	1
M301G	300 Series EPDM Manifold Gasket with Rib	1

MANIFOLD FLANGE CONNECTIONS

# Manifold T Line Strainers

## FEATURES

- EPDM gaskets.
- 316 stainless steel screens.



1" MANIFOLD T LINE STRAINERS			
PART NO	DESCRIPTION	MAX PSI	QTY
MLST100-16	1" Manifold T Strainer w/16 Mesh Screen	300	1
MLST100-30	1" Manifold T Strainer w/30 Mesh Screen	300	1
MLST100-50	1" Manifold T Strainer w/50 Mesh Screen	300	1
MLST100-80	1" Manifold T Strainer w/80 Mesh Screen	300	1
MLST100-100	1" Manifold T Strainer w/100 Mesh Screen	300	1

2" MANIFOLD T LINE STRAINERS			
PART NO	DESCRIPTION	MAX PSI	QTY
MLST150-16	2" Manifold T Strainer w/16 Mesh Screen	225	1
MLST150-30	2" Manifold T Strainer w/30 Mesh Screen	225	1
MLST150-50	2" Manifold T Strainer w/50 Mesh Screen	225	1
MLST150-80	2" Manifold T Strainer w/80 Mesh Screen	225	1
MLST150-100	2" Manifold T Strainer w/100 Mesh Screen	225	1

# Manifold Y Line Strainers

## FEATURES

- EPDM gaskets.
- 316 stainless steel screens.



1" MANIFOLD Y LINE STRAINERS			
PART NO	DESCRIPTION	MAX PSI	QTY
MLS100-20	1" Manifold Y Strainer w/20 Mesh Screen	225	1
MLS100-40	1" Manifold Y Strainer w/40 Mesh Screen	225	1
MLS100-50	1" Manifold Y Strainer w/50 Mesh Screen	225	1
MLS100-80	1" Manifold Y Strainer w/80 Mesh Screen	225	1

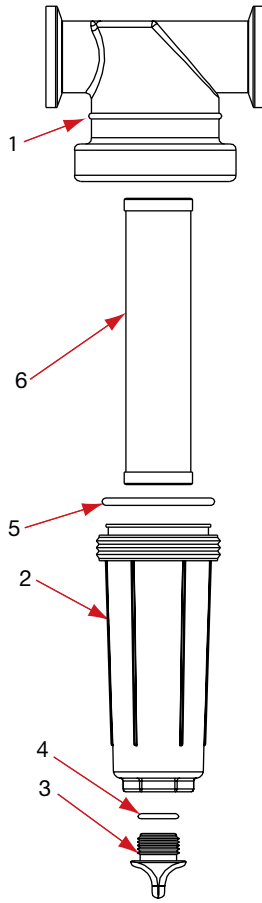
## FEATURES

- EPDM gaskets.
- 316 stainless steel screens.

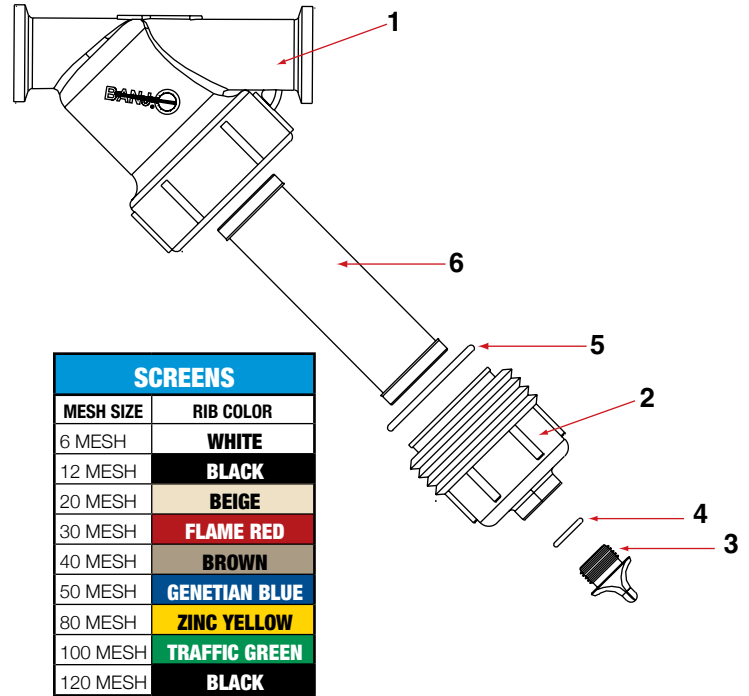


2" MANIFOLD Y LINE STRAINERS			
PART NO	DESCRIPTION	MAX PSI	QTY
MLS200-06	2" Manifold Y Strainer w/6 Mesh Screen	225	1
MLS200-12	2" Manifold Y Strainer w/12 Mesh Screen	225	1
MLS200-20	2" Manifold Y Strainer w/20 Mesh Screen	225	1
MLS200-30	2" Manifold Y Strainer w/30 Mesh Screen	225	1
MLS200-50	2" Manifold Y Strainer w/50 Mesh Screen	225	1
MLS200-50M	2" Manifold Y Strainer w/Mounting Bracket w/50 Mesh Screen	225	1
MLS200-80	2" Manifold Y Strainer w/80 Mesh Screen	225	1
MLS200-100	2" Manifold Y Strainer w/100 Mesh Screen	225	1
MLS200-120	2" Manifold Y Strainer w/120 Mesh Screen	225	1





SCREENS	
MESH SIZE	RIB COLOR
16 MESH	BROWN RED
30 MESH	FLAME RED
50 MESH	GENETIAN BLUE
80 MESH	ZINC YELLOW
100 MESH	TRAFFIC GREEN



SCREENS	
MESH SIZE	RIB COLOR
6 MESH	WHITE
12 MESH	BLACK
20 MESH	BEIGE
30 MESH	FLAME RED
40 MESH	BROWN
50 MESH	GENETIAN BLUE
80 MESH	ZINC YELLOW
100 MESH	TRAFFIC GREEN
120 MESH	BLACK

REPLACEMENT PARTS MLST100			
ITEM	PART NO	DESCRIPTION	QTY
1	MLST100-H	1" Flanged T Strainer Body	1
2	LST100-B	1" Flanged T Strainer Bowl, Drain Plug & O-Ring	1
3	12777	½" Plug	1
4	UV15163	1" Flanged T Strainer O-Ring	1
5	LST100-G	1" EPDM Gasket	1
5	LST100-GV	1" FKM (viton type) Gasket	1
6	LST116	16 Mesh Screen	1
6	LST130	30 Mesh Screen	1
6	LST150	50 Mesh Screen	1
6	LST180	80 Mesh Screen	1
6	LST1100	100 Mesh Screen	1
KIT	MLST100-HB	1" Flanged T Strainer (Includes 1-5)	1

REPLACEMENT PARTS MLS100			
ITEM	PART NO	DESCRIPTION	QTY
1	MLS100B	1" Y Strainer Body	1
2	LS100-C1	1" Y Strainer Cap, Drain Plug & O-Ring	1
3	12777	½" Plug	1
4	UV15163	1" Flanged Y Strainer O-Ring	1
5	LS100-G	1" EPDM Gasket	1
6	LS120	20 Mesh Screen	1
6	LS140	40 Mesh Screen	1
6	LS150	50 Mesh Screen	1
6	LS180	80 Mesh Screen	1
KIT	MLS100BC	1" Y Strainer Assembly (Includes items 1-5)	1

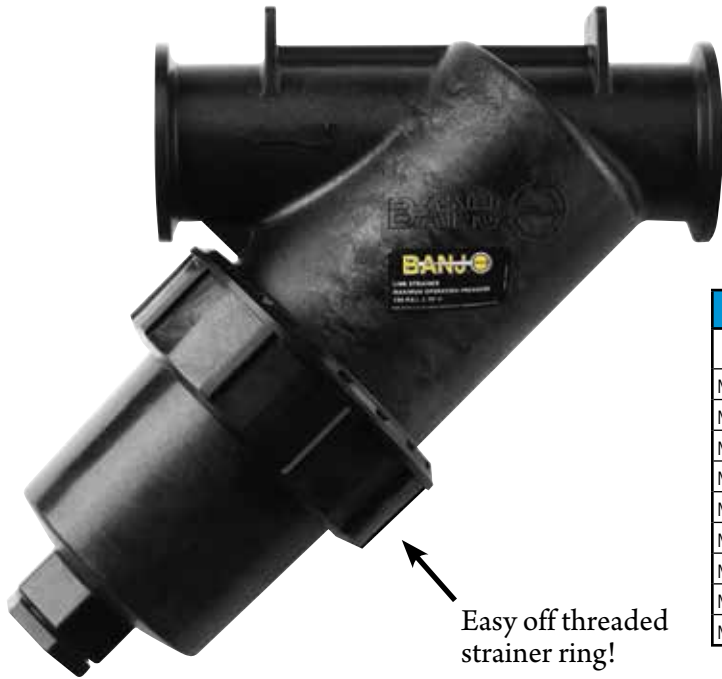
REPLACEMENT PARTS MLST150			
ITEM	PART NO	DESCRIPTION	QTY
1	MLST150-H	1½" Flanged T Strainer Body	1
2	LST150-B	1½" Flanged T Strainer Bowl, Drain Plug&O-Ring	1
3	LSQ200-PL	1½" Flanged T Strainer Plug	1
4	LSQ200-R	1½" Flanged T Strainer O-Ring	1
5	LST150-G	1½" EPDM Gasket	1
5	LST150-GV	1½" FKM (viton type) Gasket	1
6	LST1516	16 Mesh Screen	1
6	LST1530	30 Mesh Screen	1
6	LST1550	50 Mesh Screen	1
6	LST1580	80 Mesh Screen	1
6	LST15100	100 Mesh Screen	1
KIT	MLST150-HB	1½" Flanged T Strainer (Includes 1-5)	1

REPLACEMENT PARTS MLS200			
ITEM	PART NO	DESCRIPTION	QTY
1	MLS200B	2" Y Strainer Body	1
2	LS150-C	2" Y Strainer Cap, Drain Plug & O-Ring	1
3	LSQ200-PL	2" Flanged Y Strainer Plug	1
4	LSQ200-R	2" Flanged Y Strainer O-Ring	1
5	LS150-G	2" EPDM Gasket	1
5	LS150-GV	2" FKM (viton type) Gasket	1
6	LS206	6 Mesh Screen	1
6	LS212	12 Mesh Screen	1
6	LS220	20 Mesh Screen	1
6	LS230	30 Mesh Screen	1
6	LS250	50 Mesh Screen	1
6	LS280	80 Mesh Screen	1
6	LS2100	100 Mesh Screen	1
6	LS2120	120 Mesh Screen	1
KIT	MLS200BC	2" Y Strainer Assembly (Includes items 1-5)	1

# Manifold Y Line Strainers

## FEATURES

- EPDM gaskets.
- 316 stainless steel screens.



2" FULL PORT MANIFOLD Y LINE STRAINERS			
PART NO	DESCRIPTION	MAX PSI	QTY
MLS222-04	2" Full Port Manifold Y Strainer w/4 Mesh Screen	225	1
MLS222-06	2" Full Port Manifold Y Strainer w/6 Mesh Screen	225	1
MLS222-08	2" Full Port Manifold Y Strainer w/8 Mesh Screen	225	1
MLS222-10	2" Full Port Manifold Y Strainer w/10 Mesh Screen	225	1
MLS222-16	2" Full Port Manifold Y Strainer w/16 Mesh Screen	225	1
MLS222-30	2" Full Port Manifold Y Strainer w/30 Mesh Screen	225	1
MLS222-50	2" Full Port Manifold Y Strainer w/50 Mesh Screen	225	1
MLS222-80	2" Full Port Manifold Y Strainer w/80 Mesh Screen	225	1
MLS222-100	2" Full Port Manifold Y Strainer w/100 Mesh Screen	225	1

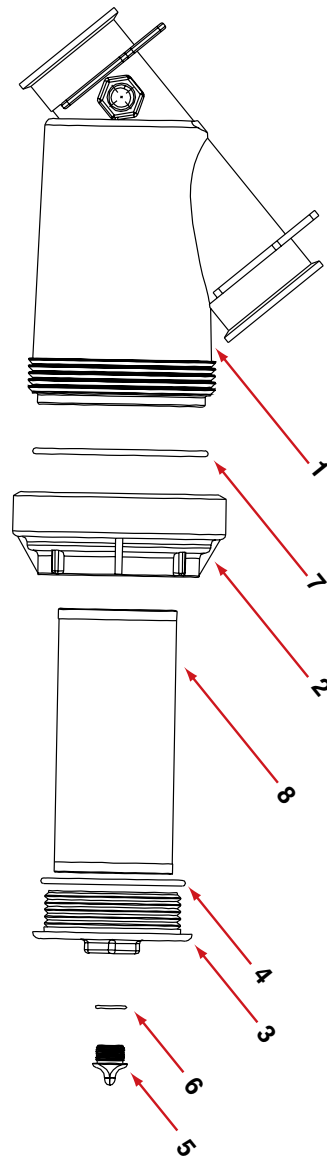
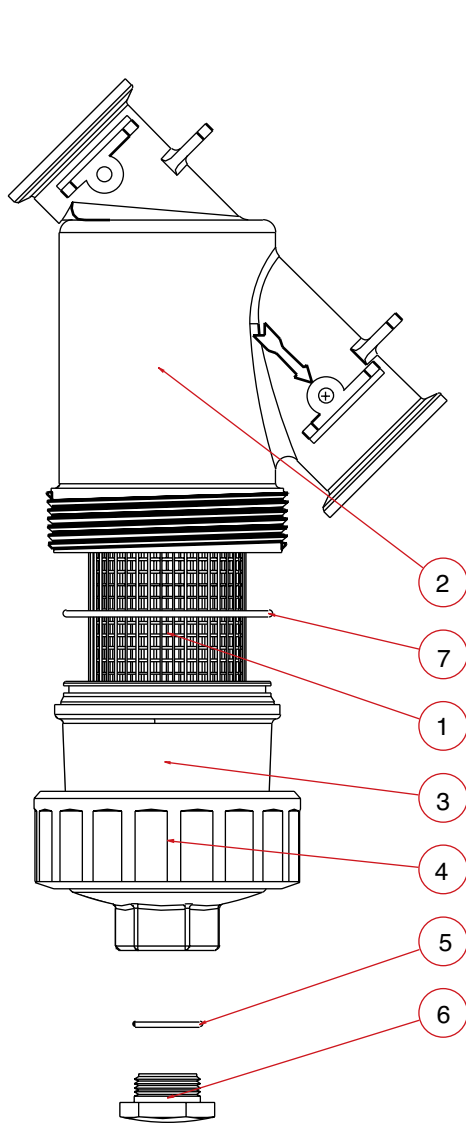


## FEATURES

- EPDM gaskets.
- 304 stainless steel screens.

3" MANIFOLD Y LINE STRAINERS			
PART NO	DESCRIPTION	MAX PSI	QTY
MLS300-08	3" Manifold Y Strainer w/8 Mesh Screen	100	1
MLS300-12	3" Manifold Y Strainer w/12 Mesh Screen	100	1
MLS300-20	3" Manifold Y Strainer w/20 Mesh Screen	100	1
MLS300-50	3" Manifold Y Strainer w/50 Mesh Screen	100	1

**\*WARNING:** 3" Polypropylene "Y" Strainer to be used on suction side or non-pressure side in all applications.



REPLACEMENT PARTS MLS222				
ITEM	PART NO	DESCRIPTION		QTY
1	LST204SS	4 SS Mesh Screen		1
1	LST206SS	6 SS Mesh Screen		1
1	LST208SS	8 SS Mesh Screen		1
1	LST210SS	10 SS Mesh Screen		1
1	LST216SS	16 SS Mesh Screen		1
1	LST230SS	30 SS Mesh Screen		1
1	LST250SS	50 SS Mesh Screen		1
1	MLS250SS	50 SS Mesh Perforated Screen		1
1	LST280SS	80 SS Mesh Screen		1
1	MLS280SS	80 SS Mesh Perforated Screen		1
1	LST2100SS	100 SS Mesh Screen		1
1	MLS2100SS	100 SS Mesh Perforated Screen		1
2	MLS222B	2" Flanged Y Strainer Body		1
3	MLS220C1	2" Flanged Y Strainer Cap		1
4	MLS220R1	2" Flanged Y Strainer Ring		1
5	LSQ200-R	2" Plug Gasket		1
6	LSQ200-PL	2" Plug		1
7	MLS220G1	2" Body Gasket		1
2-7	MLS222BC	Strainer without Screen		1

REPLACEMENT PARTS MLS300				
ITEM	PART NO	DESCRIPTION		QTY
1	MLS300B	3" Flanged Y Strainer Body		1
2	MLS300CAP	3" Flanged Y Strainer Cap		1
3	LS300EC	3" End Cap		1
4	MLS300ECG	3" EPDM End Cap Gasket		1
4	MLS300ECGV	3" FKM (viton type) End Cap Gasket		1
5	13777	3/4" Plug		1
6	13778	O-Ring		1
7	MLS300G	3" EPDM Cap Gasket		1
7	MLS300GV	3" FKM (viton type) Cap Gasket		1
8	LS304	4 SS Mesh Screen		1
8	LS308	8 SS Mesh Screen		1
8	LS312	12 SS Mesh Screen		1
8	LS320	20 SS Mesh Screen		1
8	LS350	50 SS Mesh Screen		1



# Manifold Bolted Tank Fittings "Bottom Drain"<sup>TM</sup>

PATENTED

## FEATURES

- Stainless steel bolts.
- Bolt head plugs sealed ultrasonically.
- Glass reinforced polypropylene.
- EPDM gaskets standard.
- FKM (viton type) available.



3"



MANIFOLD BOLTED BOTTOM DRAIN TANK FLANGES			
PART NO	DESCRIPTION	PSI	QTY
MBF100BD	1" Flange x 1" EPDM Female Thread	150	27
MBF100BDV	1" Flange x 1" FKM(viton type) Female Thread	150	27
MBF150200BD	2" Flange x 1½" EPDM Female Thread	150	27
MBF200BD	2" Flange x 2" EPDM Female Thread	150	25
MBF220BD	2" Full Port Flange x 2" EPDM Female Thread	150	27
MBF300BD	3" Flange x 3" EPDM Female Thread	150	16
MBF300BDV	3" Flange x 3" FKM(viton type) Female Thread	150	16

Note: Tank not included.

# Manifold Bolted Tank Fittings

MANIFOLD BOLTED TANK FLANGES			
PART NO	DESCRIPTION	PSI	QTY
MBF100	1" Flange x 1" EPDM Female Thread	150	27
MBF100V	1" Flange x 1" FKM (viton type) Female Thread	150	27
MBF200	2" Flange x 2" EPDM Female Thread	150	27
MBF200V	2" Flange x 2" FKM (viton type) Female Thread	150	27
MBF220	2" Full Port Flange x 2" EPDM Female Thread	150	27
MBF220V	2" Full Port Flange x 2" FKM (viton type) Female Thread	150	27
MBF300	3" Flange x 3" EPDM Female Thread	150	27
MBF300V	3" Flange x 3" FKM (viton type) Female Thread	150	27



1"-2" 4-bolt



3" 6-bolt

# Manifold "Bottom Drain"<sup>TM</sup> & Bulkhead Tank Fittings

PATENTED

MANIFOLD POLY BOTTOM DRAIN TANK FLANGES				
PART NO	DESCRIPTION	HOLE SIZE	PSI	QTY
MTF220BD	2" x 2" Full Port Manifold EPDM Flange	3¼"	300	1
MTF300BD	3" x 3" Manifold EPDM Flange	4½"	200	1

\*Gasket and clamp not included. Please see page 47 for items.

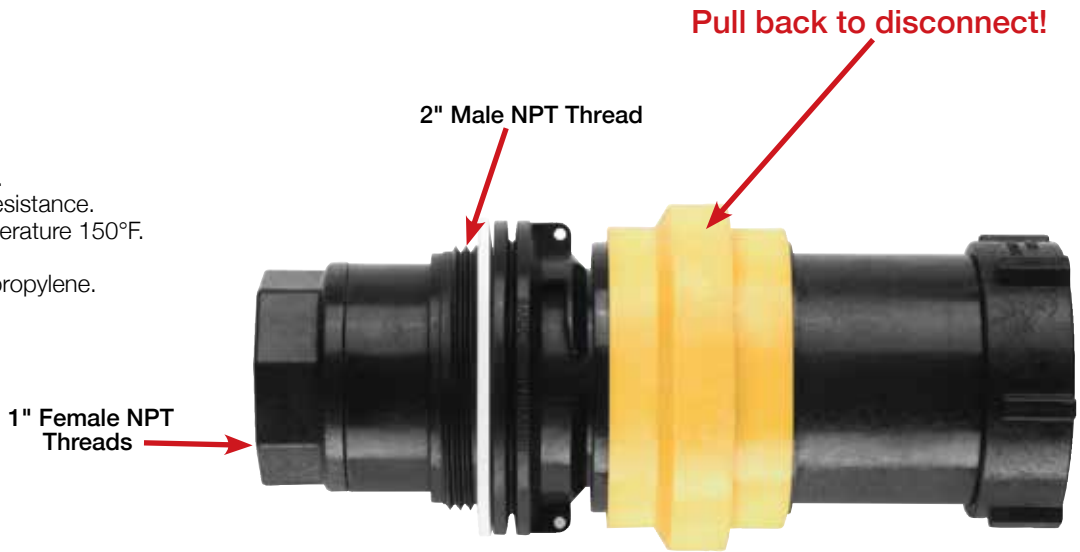


## FEATURES

- Lightweight.
- Minimal fluid spillage.
- Easy to use.
- Economical.
- Reduces risk of exposure.
- Wide range of chemical resistance.
- Maximum operating temperature 150°F.
- 30 GPM maximum flow.
- Precision molded in polypropylene.
- 1" Female NPT threads.

## APPLICATIONS

- Agriculture
- Industrial
- Pharmaceutical
- Chemical processing



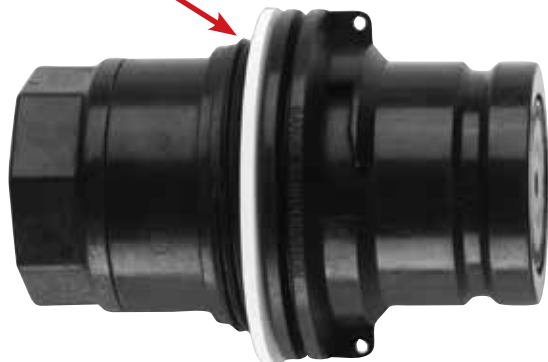
Male Adapter & Female Coupler shown coupled together but sold separately.

DRY POPPET COUPLINGS			
PART NO	DESCRIPTION	MAX PSI	QTY
DPCF100	Female Dry Poppet Coupler, 1" Female NPT Threads w/ FKM (viton type) Seals	100	1
DPCM100	Male Dry Poppet Adapter, 1" Female NPT Threads w/ FKM (viton type) Seals	150	1
DPCMT100	Male Dry Poppet Adapter, w/2" Male Threaded Body 1" Female NPT Threads w/ FKM (viton type) Seals	150	1



Male Adapter Dry Poppet DPCM100

2" Male NPT Thread



Male Adapter Dry Poppet DPCMT100



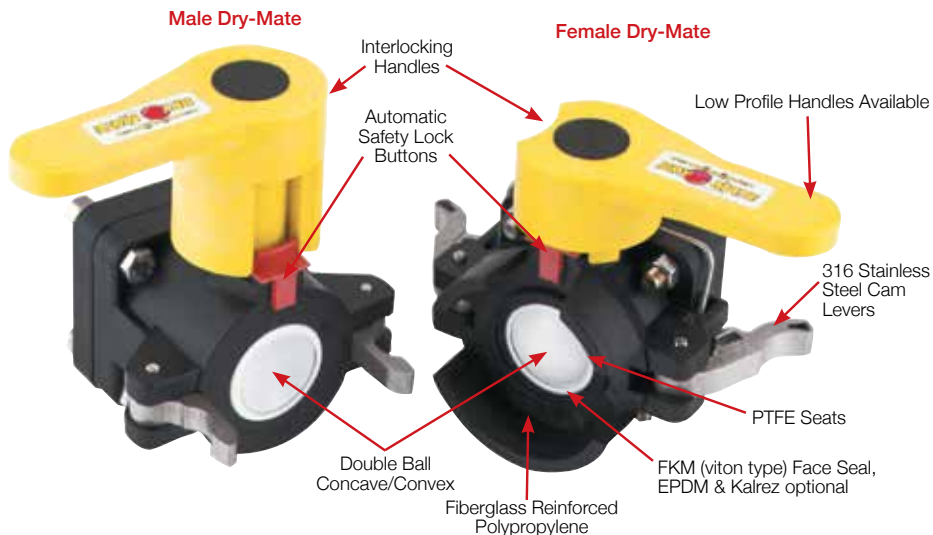
Female Coupling Dry Poppet DPCF100

# 1½" Polypropylene Dry-Disconnect



## FEATURES

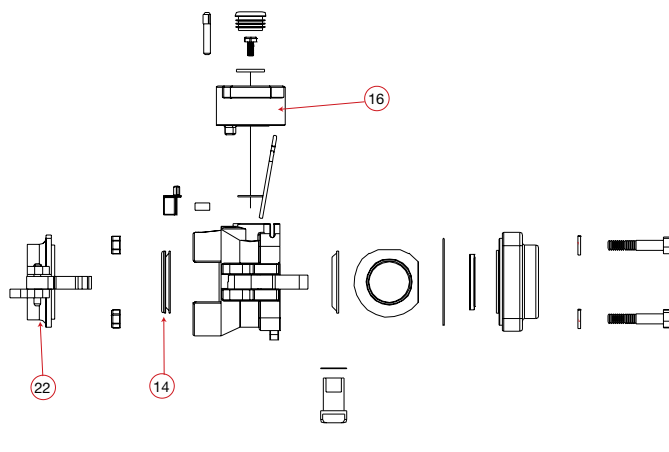
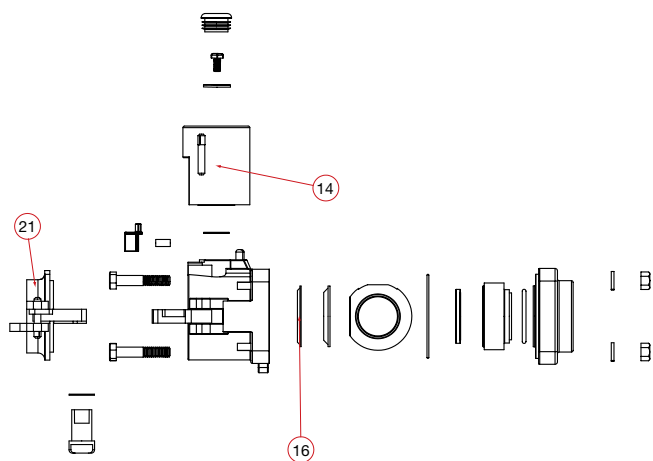
- Lightweight.
- Unrestricted 1½" flow.
- Minimal fluid spillage.
- Easy to use.
- Economical.
- Reduces risk of exposure.
- Wide range of chemical resistance.
- When properly installed and operated, the assembly will not accidentally separate while fluid is flowing; preventing costly mishaps.
- Spillage Data: 1½" = 2 ml and 2" = 2 ml



**Prevents Accidental Spills And Exposure!**  
**Patented Double Ball Design With Cam Lever Connection!**

POLY MALE DRY-MATE					
PART NO	DESCRIPTION	MAX PSI	PIPE SIZE	OPENING THRU BALL	QTY
DM150A	1½" Male x FPT NPT	100	1½"	1½"	1
DM150AE	1½" Male x FPT NPT w/EPDM Seals	100	1½"	1½"	1
DM150AT	1½" Male x FPT NPT w/ Kalrez® Seals	100	1½"	1½"	1
DM150AB	1½" Male x FPT BSP w/FKM Seals	100	1½"	1½"	1
DM150ABE	1½" Male x FPT BSP w/EPDM Seals	100	1½"	1½"	1
DM150ABT	1½" Male x FPT BSP w/ Kalrez® Seals	100	1½"	1½"	1

POLY FEMALE DRY-MATE					
PART NO	DESCRIPTION	MAX PSI	PIPE SIZE	OPENING THRU BALL	QTY
DM150D	1½" Female x FPT NPT	100	1½"	1½"	1
DM150DE	1½" Female w/EPDM Seals	100	1½"	1½"	1
DM150DT	1½" Female w/Kalrez® Seals	100	1½"	1½"	1
DM150DB	1½" Female x FPT BSP	100	1½"	1½"	1
DM150DBE	1½" Female x FPT BSP w/EPDM Seals	100	1½"	1½"	1
DM150DBT	1½" Female x FPT BSP w/ Kalrez® Seals	100	1½"	1½"	1



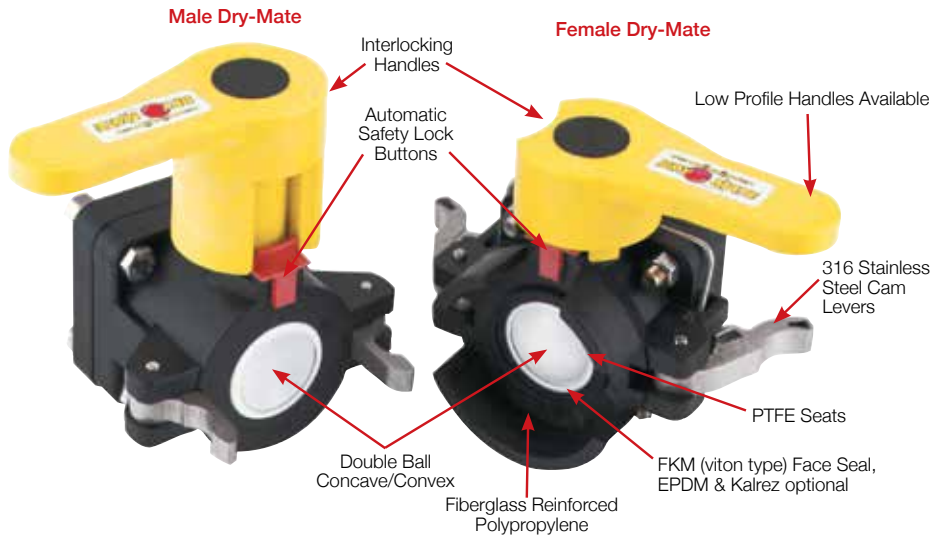
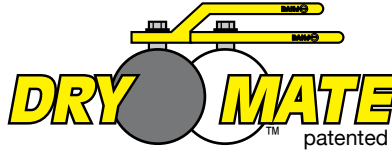
REPLACEMENT PARTS DM150A			
ITEM	PART NO	DESCRIPTION	QTY
14	DM20153M	Male Handle	1
14	DB20153M	Low Profile Handle	1
16	DB20290	FKM (viton type) Face Seal	1
16	DM20295A	EPDM Face Seal	1
16	DM20296	Kalrez® Face Seal	1
21	DM200CAP	Dust Cap	1
KIT	DM20200A	Repair Kit	1

REPLACEMENT PARTS DM150D			
ITEM	PART NO	DESCRIPTION	QTY
14	DM20294A	FKM (viton type) Face Seal	1
14	DM20295A	EPDM Face Seal	1
14	DM20296	Kalrez® Face Seal	1
16	DM20153F	Female Handle	1
22	DM200PL	Dust Plug	1
KIT	DM20200D	Repair Kit	1



## FEATURES

- Lightweight.
- Unrestricted 1½" flow.
- Minimal fluid spillage.
- Easy to use.
- Economical.
- Reduces risk of exposure.
- Wide range of chemical resistance.
- When properly installed and operated, the assembly will not accidentally separate while fluid is flowing; preventing costly mishaps.
- Spillage Data: 1½" = 2 ml and 2" = 2 ml

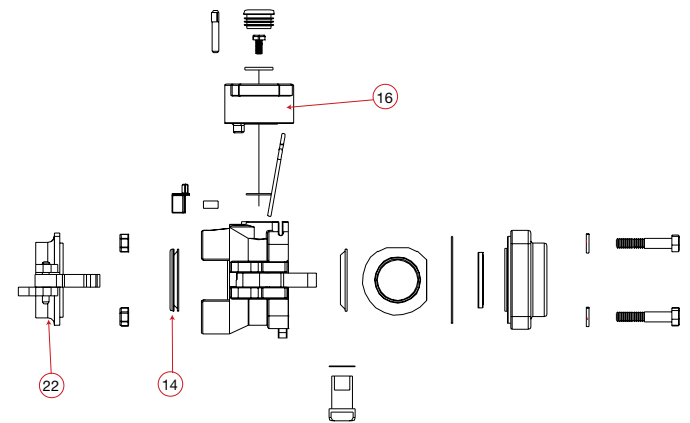
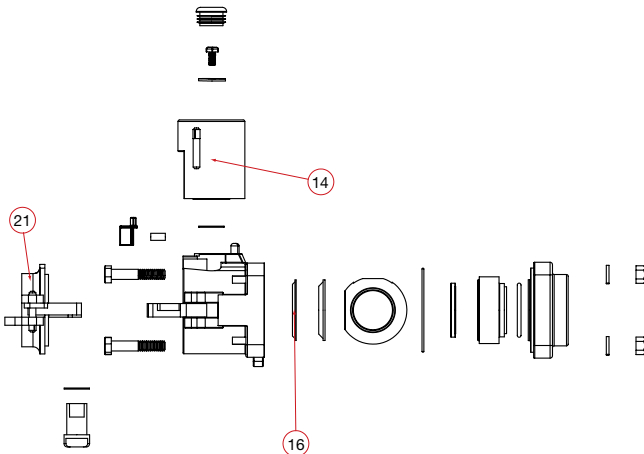


**Prevents Accidental Spills And Exposure!  
Patented Double Ball Design With Cam Lever Connection!**

POLY MALE DRY-MATE					
PART NO	DESCRIPTION	MAX PSI	PIPE SIZE	OPENING THRU BALL	QTY
DM200A	2" Male x FPT NPT	100	2"	1½"	1
DM200AB	2" Male x FPT BSP	100	2"	1½"	1
DM200AE	2" Male x FPT NPT w/ EPDM Seals	100	2"	1½"	1
DM200AT	2" Male x FPT NPT w/ Kalrez® Seals	100	2"	1½"	1
DMMT201A	2" Male x Male NPT w/low profile handle	100	2"	1½"	1
DMMT201AE	2" Male x Male NPT w/low profile handle w/EPDM Seals	100	2"	1½"	1

POLY FEMALE DRY-MATE					
PART NO	DESCRIPTION	MAX PSI	PIPE SIZE	OPENING THRU BALL	QTY
DM200D	2" Female x FPT NPT	100	2"	1½"	1
DM200DB	2" Female x FPT BSP	100	2"	1½"	1
DM200DE	2" Female w/EPDM Seals	100	2"	1½"	1
DM200DT	2" Female w/Kalrez® Seals	100	2"	1½"	1

Repair kits contain:  
 Face Seal      Seats      Thrust Bearings  
 Ball      Body Gasket      Stem Bushings



REPLACEMENT PARTS DM200A			
ITEM	PART NO	DESCRIPTION	QTY
14	DM20153M	Male Handle	1
14	DB20153M	Low Profile Handle	1
16	DB20290	FKM (viton type) Face Seal	1
16	DM20295A	EPDM Face Seal	1
16	DM20296	Kalrez® Face Seal	1
21	DM200CAP	Dust Cap	1
N/S	DM20200A	Repair Kit	1

REPLACEMENT PARTS DM200D			
ITEM	PART NO	DESCRIPTION	QTY
14	DM20294A	FKM (viton type) Face Seal	1
14	DM20295A	EPDM Face Seal	1
14	DM20296	Kalrez® Face Seal	1
16	DM20153F	Female Handle	1
22	DM200PL	Dust Plug	1
N/S	DM20200D	Repair Kit	1

# 2" Polypropylene Full Port Dry-Disconnect

## FEATURES

- Lightweight.
- Unrestricted 2" flow.
- Minimal fluid spillage.
- Easy to use.
- Economical.
- Reduces risk of exposure.
- Wide range of chemical resistance.
- When properly installed and operated, the assembly will not accidentally separate while fluid is flowing; preventing costly mishaps.
- Spillage Data: 2" = 3 ml



Male & Female shown coupled together.  
Male & Female sold separately as shown below.



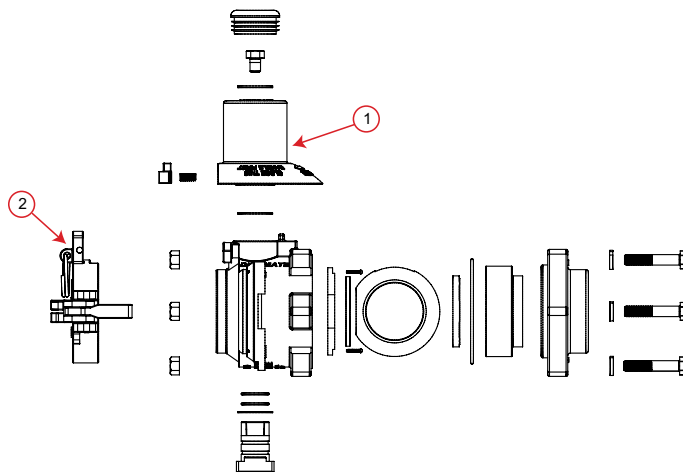
Female Dry-Mate  
DM220D



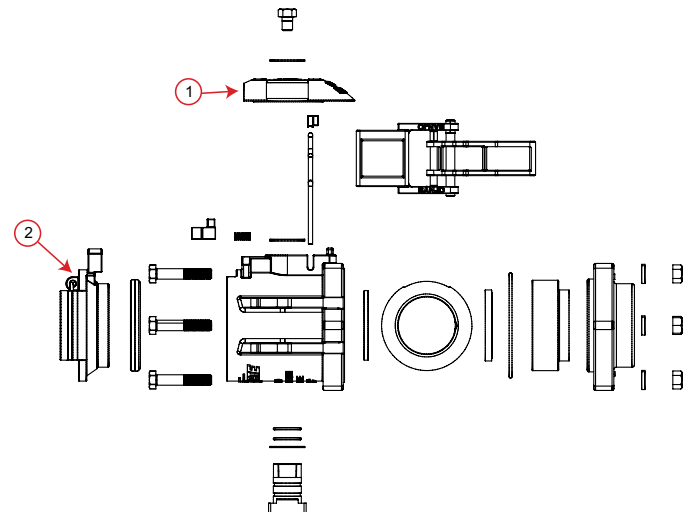
Male Dry-Mate  
DM220A

POLY DRY-MATE					
PART NO	DESCRIPTION	MAX PSI	PIPE SIZE	OPENING THRU BALL	QTY
DM220A	2" Male x FPT NPT	225	2"	2"	1
DM220D	2" Female x FPT NPT	225	2"	2"	1

Repair kits contain:		
Face Seal	Seats	Thrust Bearings
Ball	Body Gasket	Stem Bushings



REPLACEMENT PARTS DM220A			
ITEM	PART NO	DESCRIPTION	QTY
1	DM25153M	Male Handle	1
2	DM220CAP	Dust Cap	1
KIT	DM25200	Repair Kit	1



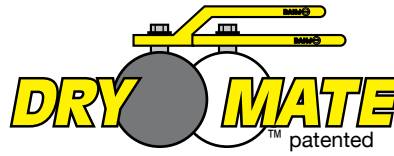
REPLACEMENT PARTS DM220D			
ITEM	PART NO	DESCRIPTION	QTY
1	DM25153F	Female Handle	1
2	DM221PL	Dust Plug	1
KIT	DM25200	Repair Kit	1





## FEATURES

- Lightweight.
- Unrestricted 3" flow.
- Minimal fluid spillage.
- Easy to use.
- Economical.
- Reduces risk of exposure.
- Wide range of chemical resistance.
- When properly installed and operated, the assembly will not accidentally separate while fluid is flowing; preventing costly mishaps.
- Spillage Data: 3" = 25 ml



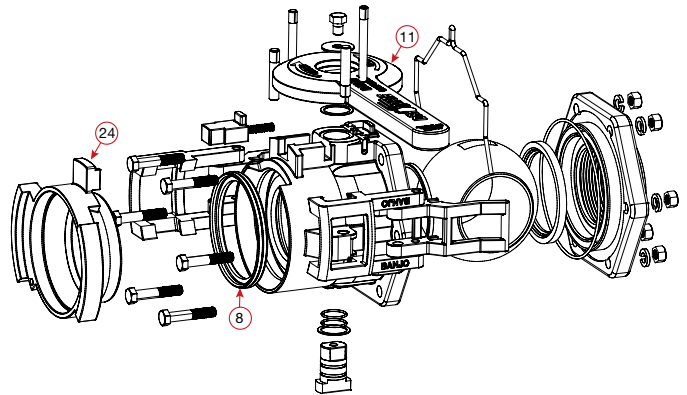
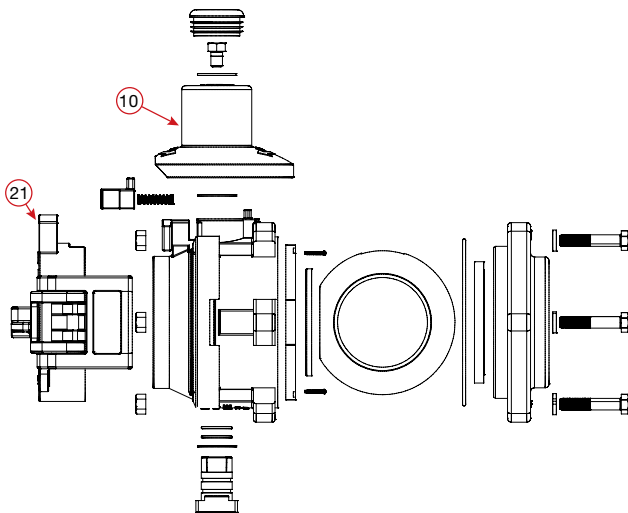
Male & Female shown coupled together. Male & Female sold separately as shown below.

3" FULL PORT POLY DRY-MATE					
PART NO	DESCRIPTION	MAX PSI	PIPE SIZE	OPENING THRU BALL	QTY
DM300AFP	3" FP Male x 3" Female NPT Threads w/ FKM(viton type) Seals	150	3"	3"	1
DM300ABFP	3" FP Male x 3" BSP Threads w/ FKM(viton type) Seals	150	3"	3"	1
DM300DFP	3" FP Female x 3" Female NPT Threads w/ FKM(viton type) Seals	150	3"	3"	1
DM300DBFP	3" FP Female x 3" BSP Threads w/ FKM(viton type) Seals	150	3"	3"	1

Female Dry-Mate  
DM300DFP



Male Dry-Mate  
DM300AFP



REPLACEMENT PARTS DM300AFP			
ITEM	PART NO	DESCRIPTION	QTY
	10	DM35153M Handle	1
	21	DM300CAP Cap	1
KIT	DM35200	Repair Kit	1

REPLACEMENT PARTS DM300DFP			
ITEM	PART NO	DESCRIPTION	QTY
	8	DM35294 Face Seal FKM (viton type)	1
	11	DM35153F Female Handle	1
	24	DM300PL Plug	1
KIT	DM35200	Repair Kit	1

# 1" Full Port Stainless Steel Dry-Disconnect



## FEATURES

- 316 stainless steel construction.
- FKM (viton type), EPDM & Kalrez face seals.
- 100% PTFE ball seats.
- 300°F maximum operating temperature.
- Spillage Data: 1" = 1ml, 1½" and 2" = 2ml
- When properly installed and operated, the assembly will not accidentally separate while fluid is flowing; preventing costly mishaps.

## APPLICATIONS

- Agriculture
- Industrial
- Pharmaceutical
- Chemical processing

## SIZES

- Sizes: 1" Full Port, 1½" Full Port and 2" Standard Port (Female NPT & BSP Threads)

## PREVENTS ACCIDENTAL SPILLS AND EXPOSURE!



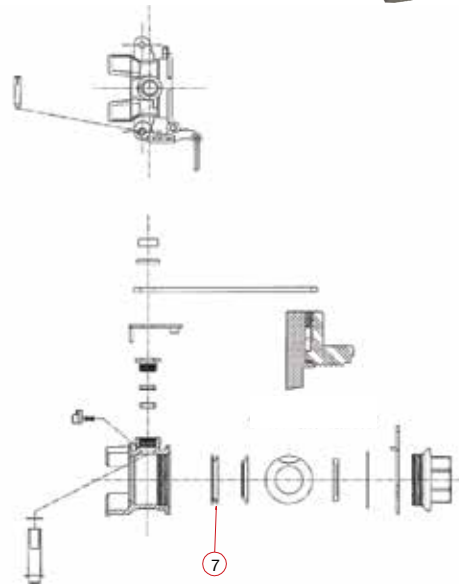
Female Dry-Mate



Male Dry-Mate

1" FULL PORT STAINLESS STEEL DRY-MATE					
PART NO	DESCRIPTION	MAX PSI	PIPE SIZE	OPENING THRU BALL	QTY
DM100ASS	1" Male x NPT w/PTFE Seals	150	1"	1"	1
DM100ABSS	1" Male x BSP w/PTFE Seals	150	1"	1"	1
DM100DSS	1" Female x NPT w/FKM(viton type) Seals	150	1"	1"	1
DM100DSSE	1" Female x NPT w/EPDM Seals	150	1"	1"	1
DM100DSST	1" Female x NPT w/Kalrez®Seals	150	1"	1"	1
DM100DBSS	1" Female x BSP w/FKM(viton type) Seals	150	1"	1"	1
DM100DBSSE	1" Female x BSP w/EPDM Seals	150	1"	1"	1
DM100DBSST	1" Female x BSP w/Kalrez®Seals	150	1"	1"	1

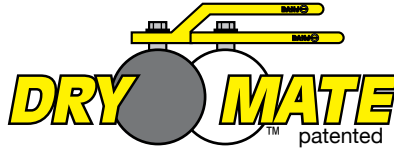
Repair kits contain:		
Face Seal	Seats	Thrust Bearings
Ball	Body Gasket	Stem Bushings



REPLACEMENT PARTS DM100ASS			
ITEM	PART NO	DESCRIPTION	QTY
N/S	DM100CAP	Poly Cap	1
N/S	DM101SS	Repair Kit	1

REPLACEMENT PARTS DM100DSS			
ITEM	PART NO	DESCRIPTION	QTY
7	DM10294A	FKM (viton type) Face Seal	1
7	DM10295A	EPDM Face Seal	1
7	DM10296	Kalrez® Face Seal	1
N/S	DM100PL	Poly Plug	1
KIT	DM102SSV	FKM (viton type) Repair Kit	1
KIT	DM102SSE	EPDM Repair Kit	1
KIT	DM102SST	Kalrez® Repair Kit	1





## FEATURES

- 316 stainless steel construction.
- FKM (viton type), EPDM & Kalrez face seals.
- 100% PTFE ball seats.
- 300°F maximum operating temperature.
- Spillage Data: 1" = 1ml, 1½" and 2" = 2ml
- When properly installed and operated, the assembly will not accidentally separate while fluid is flowing; preventing costly mishaps.

## APPLICATIONS

- Agriculture
- Industrial
- Pharmaceutical
- Chemical processing

## SIZES

- Sizes: 1" Full Port, 1½" Full Port (Female NPT & BSP Threads)

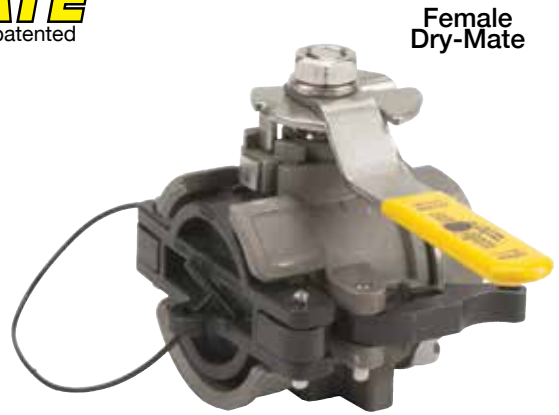
## PREVENTS ACCIDENTAL SPILLS AND EXPOSURE!

1½" FULL PORT STAINLESS STEEL DRY-MATE					
PART NO	DESCRIPTION	MAX PSI	PIPE SIZE	OPENING THRU BALL	QTY
DM150ASS	1½" Male x NPT w/PTFE Seals	150	1½"	1½"	1
DM150ABSS	1½" Male x BSP w/PTFE Seals	150	1½"	1½"	1
DM150DSS	1½" Female x NPT w/FKM (viton type) Seals	150	1½"	1½"	1
DM150DSSE	1½" Female x NPT w/EPDM Seals	150	1½"	1½"	1
DM150DSST	1½" Female x NPT w/Kalrez® Seals	150	1½"	1½"	1
DM150DBSS	1½" Female x BSP w/FKM (viton type) Seals	150	1½"	1½"	1
DM150DBSSE	1½" Female x BSP w/EPDM Seals	150	1½"	1½"	1
DM150DBSST	1½" Female x BSP w/Kalrez® Seals	150	1½"	1½"	1

Repair kits contain:		
Face Seal	Seats	Thrust Bearings
Ball	Body Gasket	Stem Bushings

REPLACEMENT PARTS DM150ASS			
ITEM	PART NO	DESCRIPTION	QTY
N/S	DM200ACAP	Dust Cap	1
N/S	DM201SS	Repair Kit	1

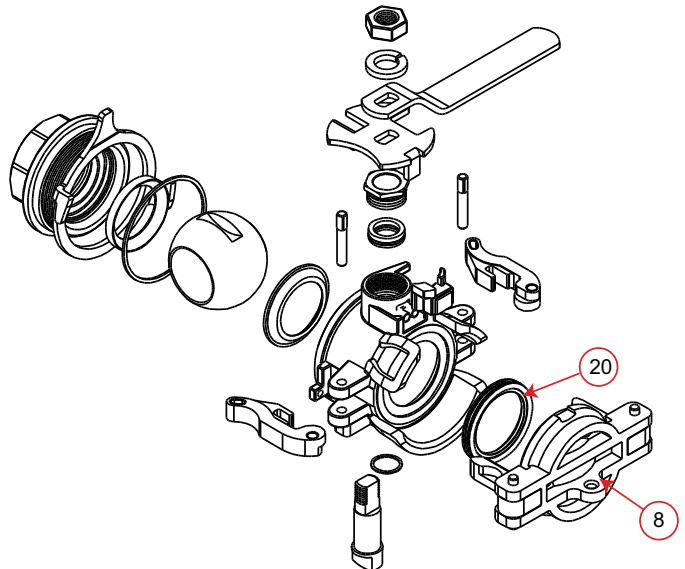
REPLACEMENT PARTS DM150DSS			
ITEM	PART NO	DESCRIPTION	QTY
18	DM20294A	FKM (viton type) Face Seal	1
18	DM20295A	EPDM Face Seal	1
18	DM20296	Kalrez® Face Seal	1
21	DM200APL	Dust Plug	1
KIT	DM202SSV	FKM (viton type) Repair Kit	1
KIT	DM202SSE	EPDM Repair Kit	1
KIT	DM202SST	Kalrez® Repair Kit	1



Female Dry-Mate



Male Dry-Mate



DRY-DISCONNECTS

# 2" Stainless Steel Dry-Disconnect

## FEATURES

- 316 stainless steel construction.
- FKM (viton type), EPDM & Kalrez face seals.
- 100% PTFE ball seats.
- 300°F maximum operating temperature.
- Spillage Data: 1" = 1ml, 1½" and 2" = 2ml
- When properly installed and operated, the assembly will not accidentally separate while fluid is flowing; preventing costly mishaps.



## APPLICATIONS

- Agriculture
- Industrial
- Pharmaceutical
- Chemical processing

## SIZES

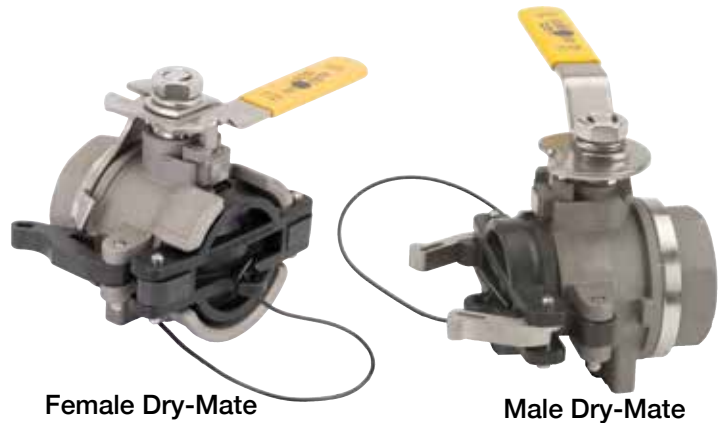
- Sizes: 2" Standard Port (Female NPT & BSP Threads)

Available with Female NPT or BSP Threads

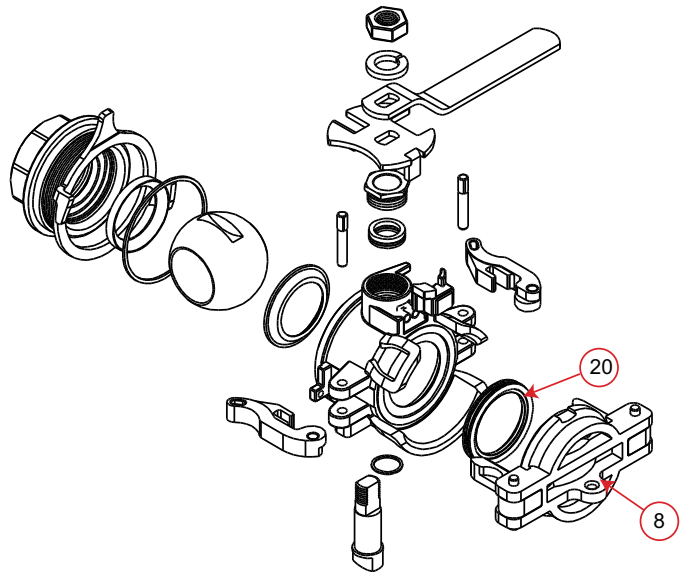


Male & Female shown coupled together. Male & Female sold separately as shown below.

2" STAINLESS STEEL DRY-MATE					
PART NO	DESCRIPTION	MAX PSI	PIPE SIZE	OPENING THRU BALL	QTY
DM200ASS	2" Male x NPT w/PTFE Seals	300	2"	1½"	1
DM200ABSS	2" Male x BSP w/PTFE Seals	150	2"	1½"	1
DM200DSS	2" Female x NPT w/FKM (viton type) Seals	300	2"	1½"	1
DM200DSSE	2" Female x NPT w/EPDM Seals	150	2"	1½"	1
DM200DSST	2" Female x NPT w/Kalrez® Seals	150	2"	1½"	1
DM200DBSS	2" Female x BSP w/FKM (viton type) Seals	150	2"	1½"	1
DM200DBSSE	2" Female x BSP w/EPDM Seals	150	2"	1½"	1
DM200DBSST	2" Female x BSP w/Kalrez® Seals	150	2"	1½"	1



Repair kits contain:		
Face Seal	Seats	Thrust Bearings
Ball	Body Gasket	Stem Bushings



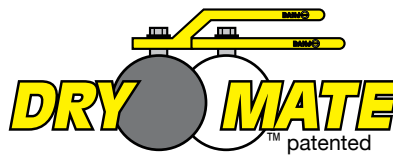
REPLACEMENT PARTS DM200ASS			
ITEM	PART NO	DESCRIPTION	QTY
N/S	DM200ACAP	Dust Cap	1
N/S	DM201SS	Repair Kit	1

REPLACEMENT PARTS DM200DSS			
ITEM	PART NO	DESCRIPTION	QTY
18	DM20294A	FKM (viton type) Face Seal	1
18	DM20295A	EPDM Face Seal	1
18	DM20296	Kalrez® Face Seal	1
21	DM200APL	Dust Plug	1
N/S	DM202SSV	FKM (viton type) Repair Kit	1
N/S	DM202SSE	EPDM Repair Kit	1
N/S	DM202SST	Kalrez® Repair Kit	1



### FEATURES

- 316 stainless steel construction.
- FKM (viton type) standard, EPDM face seals available.
- 100% PTFE ball seats.
- 300°F maximum operating temperature.
- Spillage data: Less than 1cc.
- Filled valve for no product residue.
- 20 Degrees rotation either direction to ease coupling male and female halves.
- When properly installed and operated, the assembly will not accidentally separate while fluid is flowing; preventing costly mishaps.



Available with Female NPT or BSP Threads



Male & Female shown coupled together. Male & Female sold separately as shown below.

### APPLICATIONS

- Agriculture
- Industrial
- Pharmaceutical
- Chemical processing

### SIZES

- Sizes: 2" Full Port (Female NPT & BSP Threads)

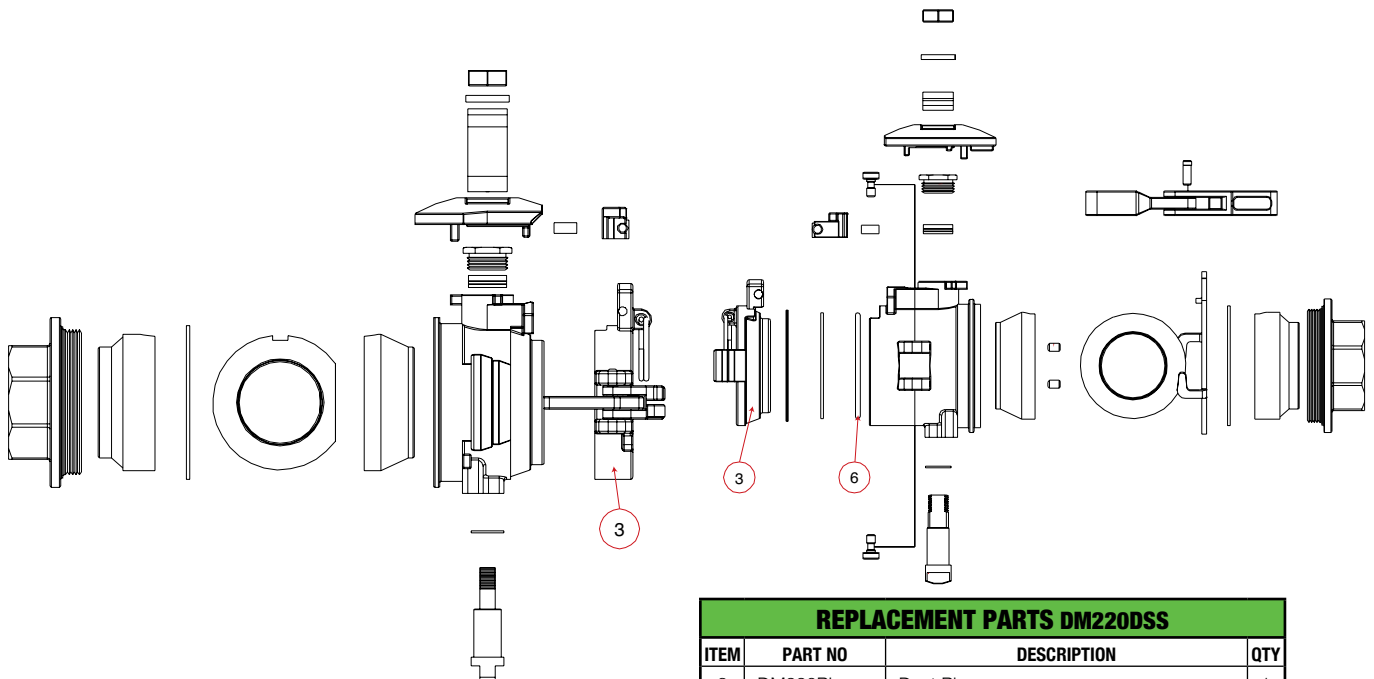
2" FULL PORT STAINLESS STEEL DRY-MATE					
PART NO	DESCRIPTION	MAX PSI	PIPE SIZE	OPENING THRU BALL	QTY
DM220ASS	2" FP Male x NPT Threads w/ all PTFE Seals	300	2"	2"	1
DM220DSS	2" FP Female x NPT Threads w/ FKM (viton type) Seals	300	2"	2"	1
DM220DSSE	2" FP Female x NPT Threads w/EPDM Seals	300	2"	2"	1
DM220DSST	2" FP Female x NPT Threads w/Kalrez® Seals	300	2"	2"	1
DM220ABSS	2" FP Male x BSP Threads w/ all PTFE Seals	300	2"	2"	1
DM220DBSS	2" FP Female x BSP Threads w/ FKM (viton type) Seals	300	2"	2"	1



Male Dry-Mate



Female Dry-Mate



REPLACEMENT PARTS DM220ASS			
ITEM	PART NO	DESCRIPTION	QTY
3	DM220CAP	Dust Cap	1
KIT	DM221SS	Repair Kit	1

REPLACEMENT PARTS DM220DSS			
ITEM	PART NO	DESCRIPTION	QTY
3	DM220PL	Dust Plug	1
6	DM25294E	2" FP EPDM Face Seal	1
6	DM25294	2" FP FKM(viton type) Face Seal (new style)	1
6	DM25294T	2" FP Kalrez® Face Seal	1
KIT	DM222SS	Repair Kit	1



# Closed Transfer System

## FEATURES

- Allows to safely and properly flush chemical containers.



CTS200D



CTS200AR



CLOSED TRANSFER SYSTEM ADAPTERS				
PART NO	DESCRIPTION	MAX PSI	PIPE SIZE	QTY
CTS200AR	Closed Mix Bottle Adapter	40	63 mm btl	1
CTS200D	Tank Adapter w/2" Male NPT Threads	40	2"	1

## IBC Spin Weld Ball Valves



W230237



W230238



W230239



W230240

SPINWELD BALL VALVES							
PART NO	DESCRIPTION	GASKET MATERIAL	COLLAR FITS	COLLAR NUMBER	COLLAR ID	PSI	QTY
W230237	2" Poly Spinweld Valve w/NPT Outlet & Cap & Foil Seal	FKM (viton type)	MAUSER®	V22283 C & D	2¼"	20	24/box
W230238	2" Poly Spinweld Valve w/QDC Outlet & Cap & Foil Seal	FKM (viton type)	MAUSER®	V22283 C & D	2¼"	20	24/box
W230239	2" Poly Spinweld Valve w/NPT Outlet & Cap & Foil Seal	EPDM	MAUSER®	V22283 C & D	2¼"	20	24/box
W230240	2" Poly Spinweld Valve w/QDC Outlet & Cap & Foil Seal	EPDM	MAUSER®	V22283 C & D	2¼"	20	24/box

## FEATURES

- PTFE valve seats.
- FKM (viton type) stem o-rings.
- Polypropylene.
- Zinc alloy collar.
- FKM (viton type), EPDM, and Santoprene collar gaskets available for most valves.
- Handles close in either direction.

**See caps  
on page 66!**

Identifying collar number found here.



WSF210FSA SCHUTZ®



WSMT210FSA SCHUTZ®

SPINWELD BALL VALVES							
PART NO	DESCRIPTION	GASKET MATERIAL	COLLAR FITS	COLLAR NUMBER	COLLAR ID	PSI	QTY
WSF210FSA	2" Poly Spinweld Valve w/QDC Outlet, Foil Seal & Cap	Santoprene	SCHUTZ®	V20280 A & B	2¾"	50	24/box
WSF210FSAV	2" Poly Spinweld Valve w/QDC Outlet, Foil Seal & Cap	FKM (viton type)	SCHUTZ®	V20280 A & B	2¾"	50	24/box
WSMT210FSA	2" Poly Spinweld Valve w/NPT Outlet, Foil Seal & Cap	Santoprene	SCHUTZ®	V20280 A & B	2¾"	225	24/box
WSMT210FSAV	2" Poly Spinweld Valve w/NPT Outlet, Foil Seal & Cap	FKM (viton type)	SCHUTZ®	V20280 A & B	2¾"	225	24/box

**Note:** Please contact our sales department for optional gasket materials.

**For faster shipping, order in box quantities.**

# FDA Union Valves

**FEATURES**

- Precision molded in glass reinforced polypropylene, for strength and chemical resistance.
- PTFE seats for smooth operation and proper sealing characteristics.
- Double EPDM O-rings in stem area for extra sealing protection.
- Interlocking body and end plate to allow easy thread connection when installing valves.



MBP200



NIP2101



IBC/TANK ACC.

UNION VALVE ADAPTERS			
PART NO	DESCRIPTION	PSI	QTY
MBP200	2" Buttress x 2" NPT Assembly-White	200	1
NIP2101	2" NPT x BSP Nipple-White	300	1

UNION VALVE			
PART NO	DESCRIPTION	PSI	QTY
UV204FPFD	2" FDA Union Valve-EPDM	225	1



6" IBC SOLID TANK LIDS			
PART NO	DESCRIPTION	GASKET	QTY
TL650S	6" Solid Tank Lid w/Gasket	Santoprene	1
TL650E	6" Solid Tank Lid w/Gasket	EPDM	1

6" IBC TANK LIDS W/UNVENTED 2" PLUG			
PART NO	DESCRIPTION	GASKET	QTY
TL651S	6" Tank Lid w/Unvented 2" Plug w/Gasket	Santoprene	1



Spring Loaded Vent



6" IBC TANK LIDS W/VENTED 2" PLUG			
PART NO	DESCRIPTION	GASKET	QTY
TL652S	6" Tank Lid w/Vented 2" Plug w/Gasket	Santoprene	1
TL652E	6" Tank Lid w/Vented 2" Plug w/Gasket	EPDM	1

5 1/2" LIDS FOR SPRAY TANKS		
PART NO	DESCRIPTION	QTY
TL600C	5 1/2" Vented Tank Lid	1

## Tank Lids

### FEATURES

- Maximum air flow through vent channels.
- Airflow equivalent to a 3" hole.
- No secondary venting needed.
- Baffled vents.

Vent Cover



Center Vent

Goes in underside of lid.

10" VENTED TANK LIDS		
PART NO	DESCRIPTION	QTY
TLVA10	10" Vented Tank Lid & Ring Assembly (new style)	1
TLA10	10" Vented Tank Lid & Ring Assembly (old style)	1
TLV10R	10" Vented Tank Lid Assembly w/o Ring	1
TLV1	Vent Cover	1
TLV2	Center Vent	1

## Poly Siphon Tubes

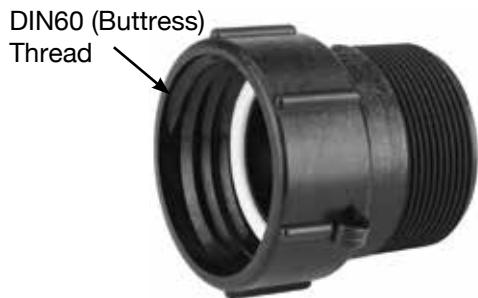
### FEATURES

- Full flow size.
- Long length.
- Male NPT threads.



POLY SIPHON TUBES		
PART NO	DESCRIPTION	QTY
ST200	2" Poly Siphon Tube	1
ST300	3" Poly Siphon Tube	1

# IBC Polypropylene Accessories



2" BUTTRESS X 2" MALE NPT				
PART NO	DESCRIPTION	GASKET	PSI	QTY
TA283	2" Buttress x 2" Male NPT Threads w/ Gasket	Santoprene	300	1



2" BUTTRESS X 2" MALE ADAPTER				
PART NO	DESCRIPTION	GASKET	PSI	QTY
TA283QD	2" Buttress x 2" Male Adapter QDC w/ Gasket	Santoprene	150	1



2" FEMALE NPT CAP			
PART NO	DESCRIPTION	PSI	QTY
201FPT	2" Female NPT Cap	20	1
211FPT	2" Female NPT Cap	N/A	1
60FDIN	60 MM DIN Cap (Buttress Thread)	N/A	1



2" VENTED & NON-VENTED BUNG PLUGS		
PART NO	DESCRIPTION	QTY
231MPT	2" MPT Solid Bung w/EPDM Gasket	1
231MPTBN	2" MPT Solid Bung w/Buna Nitrile Gasket	1
TL6531	2" Vented Plug w/EPDM Gasket	1



LANYARD		
PART NO	DESCRIPTION	QTY
V20207	11" Polyurethane Lanyard	1



2" CAM LEVER DUST CAP			
PART NO	DESCRIPTION	PSI	QTY
200CAPSH	2" Cam Lever Dust Cap w/short arms	200	1
200CAP	2" Cam Lever Dust Cap	200	1

2" CAM LEVER DUST CAP			
PART NO	DESCRIPTION	PSI	QTY
201CAPSH	2" Cam Lever Dust Cap w/short arms & rings	200	1
202CAP	2" Cam Lever Dust Cap	20	1





## FEATURES

- Stainless steel bolts.
- Bolt head plugs sealed ultrasonically.
- Glass reinforced polypropylene.
- EPDM gaskets standard & FKM (viton type) available.



BF300

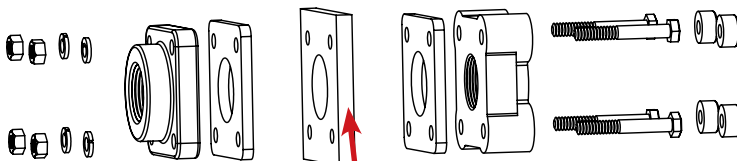


POLY BOLTED TANK FLANGES			
PART NO	DESCRIPTION	PSI	QTY
BF075	3/4" x 1" Threaded EPDM Flange	150	27
BF100	1" x 1" Threaded EPDM Flange	150	27
BF100V	1" x 1" Threaded FKM (viton type) Flange	150	27
BF125	1 1/4" x 1" Threaded EPDM Flange	150	27
BF150	1 1/2" x 2" Threaded EPDM Flange	150	27
BF200	2" x 2" Threaded EPDM Flange	150	27
BF200V	2" x 2" Threaded FKM (viton type) Flange	150	27
BF220	2" x 2" Full Port Threaded EPDM Flange	150	27
BF220V	2" x 2" Full Port Threaded FKM (viton type) Flange	150	27
BF300	3" x 3" Threaded EPDM Flange	150	16
BF300	3" x 3" Threaded EPDM Flange	150	16

BOLTED TANK FLANGE GASKETS			
PART NO	DESCRIPTION	PSI	QTY
BF100GE	1" Full EPDM Gasket	N/A	1
BF100GV	1" Full FKM(viton type) Gasket	N/A	1
BF200GE	1 1/2" & 2" Full EPDM Gasket	N/A	1
BF200GV	1 1/2" & 2" Full FKM(viton type) Gasket	N/A	1
BF220GE	2" Full Port EPDM Gasket	N/A	1
BF220GV	2" Full Port FKM(viton type) Gasket	N/A	1
BF300GE	3" Full EPDM Gasket	N/A	1
BF300GV	3" Full FKM(viton type) Gasket	N/A	1

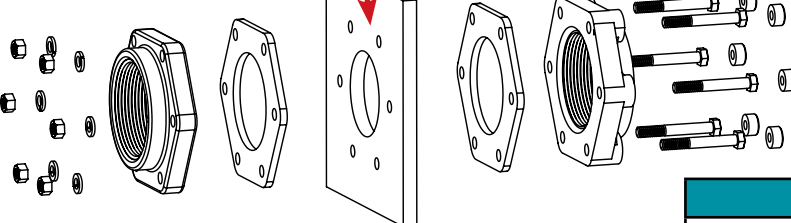
\* WARNING: Do not tighten tank flange bolts more than 12 ft pounds.

3/4" — 2"



Tank Wall

3"



BANJO MAN		
PART NO	DESCRIPTION	QTY
BANJOMAN	18" x 29"- Assembly Required	1

# Poly Bolted "Bottom Drain"™ Tank Flanges

PATENTED

## FEATURES

- Stainless steel bolts.
- Bolt head plugs sealed ultrasonically.
- Glass reinforced polypropylene.
- EPDM gaskets standard.  
FKM (viton type) available.
- Longer bolts available.



- Allows 100% Rinse Free – No Sediment Build Up!
- Excellent for avoiding herbicide cross contamination!
- Bolted design for superior strength!
- Fits most cone bottom & chemical inductor tanks, 30 gallons and larger.

**For faster shipping, order in box quantities.**



BF300BD

POLY BOTTOM DRAIN BOLTED TANK FLANGES			
PART NO	DESCRIPTION	PSI	QTY
BF075BD	3/4" x 1" Threaded EPDM Flange	150	27
BF075BDV	3/4" x 1" Threaded FKM (viton type) Flange	150	27
BF100BD	1" x 1" Threaded EPDM Flange	150	27
BF125BDV	1 1/4" x 1" Threaded FKM (viton type) Flange	150	27
BF150BD	1 1/2" x 2" Threaded EPDM Flange	150	27
BF200BD	2" x 2" Threaded EPDM Flange	150	27
BF220BD	2" x 2" Full Port Threaded EPDM Flange	150	27
BF300BD	3" x 3" Threaded EPDM Flange	150	16

POLY BOTTOM DRAIN BOLTED TANK FLANGE GASKETS			
PART NO	DESCRIPTION	PSI	QTY
BF100GE	3/4", 1" & 1 1/4" Full EPDM Gasket	N/A	1
BF100GV	3/4", 1" & 1 1/4" Full FKM(viton type) Gasket	N/A	1
BF100GRE	3/4", 1" & 1 1/4" Foot EPDM Gasket	N/A	4
BF100GRV	3/4", 1" & 1 1/4" Foot FKM(viton type) Gasket	N/A	4
BF200GE	1 1/2" & 2" Full EPDM Gasket	N/A	1
BF200GV	1 1/2" & 2" Full FKM(viton type) Gasket	N/A	1
BF200GFV	1 1/2" & 2" Std. Port, 2" Full Port Foot FKM (viton type) Gasket	N/A	4
BF220GE	2" Full Port EPDM Gasket	N/A	1
BF220GV	2" Full Port FKM(viton type) Gasket	N/A	1
BF300GE	3" Full EPDM Gasket	N/A	1
BF300GV	3" Full FKM(viton type) Gasket	N/A	1
BF300GFE	3" Foot EPDM Gasket	N/A	6
BF300GFV	3" Foot FKM(viton type) Gasket	N/A	6

**FEATURES**

- Double sided female NPT threads.
- Available with EPDM or FKM (viton type) gasket.

**FEATURES**

- Double sided female NPT threads.
- Standard with EPDM gasket, FKM (viton type) available.



POLY BULKHEAD FITTINGS				
PART NO	DESCRIPTION	HOLE SIZE	PSI	QTY
TF050	1/2" Poly Bulkhead EPDM Tank Fitting	1 5/8"	300	10/bag
TF075	3/4" Poly Bulkhead EPDM Tank Fitting	1 5/8"	300	10/bag
TF075V	3/4" Poly Bulkhead FKM(viton type) Tank Fitting	1 5/8"	300	1
TF100	1" Poly Bulkhead EPDM Tank Fitting	2 1/4"	300	10/bag
TF125	1 1/4" Poly Bulkhead EPDM Tank Fitting	2 1/4"	300	1
TF150	1 1/2" Poly Bulkhead EPDM Tank Fitting	3"	300	1
TF200	2" Poly Bulkhead EPDM Tank Fitting	3"	300	1
TF200V	2" Poly Bulkhead FKM(viton type) Tank Fitting	3"	300	1
TF220	2" Poly Bulkhead EPDM Tank Fitting	3 1/4"	300	1
TF300	3" Poly Bulkhead EPDM Tank Fitting	4 1/2"	300	1
TF400	4" Poly Bulkhead EPDM Tank Fitting	5 3/4"	225	1

316 SS BULKHEAD FITTINGS				
PART NO	DESCRIPTION	HOLE SIZE	PSI	QTY
TF038SS	3/8" SS Bulkhead Tank Fitting	1"	300	1
TF050SS	1/2" SS Bulkhead Tank Fitting	1 3/8"	300	1
TF075SS	3/4" SS Bulkhead Tank Fitting	1 5/8"	300	1
TF100SS	1" SS Bulkhead Tank Fitting	2 1/4"	300	1
TF125SS	1 1/4" SS Bulkhead Tank Fitting	2 1/4"	300	1
TF150SS	1 1/2" SS Bulkhead Tank Fitting	3"	300	1
TF200SS	2" SS Bulkhead Tank Fitting	3"	300	1
TF220SS	2" SS Bulkhead Tank Fitting	3 1/4"	300	1
TF300SS	3" SS Bulkhead Tank Fitting	4 3/8"	300	1

BULKHEAD GASKETS					
PART NO	DESCRIPTION	HOLE SIZE	FITS POLY	FITS SS	QTY
100G	3/8" Poly Bulkhead EPDM Gasket	1"		TF038SS	100/bag
100GV	3/8" Poly Bulkhead FKM(viton type) Gasket	1"		TF038SS	100/bag
TF138GV	1/2" Poly Bulkhead FKM(viton type) Gasket	1 3/8"		TF050SS	100/bag
150G	1/2" & 3/4" Poly Bulkhead EPDM Gasket	1 5/8"	TF050 & TF075	TF075SS	100/bag
150GV	1/2" & 3/4" Poly Bulkhead FKM(viton type) Gasket	1 5/8"	TF050 & TF075	TF075SS	50/bag
200G	1" & 1 1/4" Poly Bulkhead EPDM Gasket	2 1/4"	TF100 & TF125	TF100SS & TF125SS	50/bag
200GV	1" & 1 1/4" Poly Bulkhead FKM(viton type) Gasket	2 1/4"	TF100 & TF125	TF100SS & TF125SS	50/bag
300G	1 1/2" & 2" Poly Bulkhead EPDM Gasket	3"	TF200 & TF150	TF200SS & TF150SS	25/bag
300GV	1 1/2" & 2" Poly Bulkhead FKM(viton type) Gasket	3"	TF200 & TF150	TF200SS & TF150SS	25/bag
TF220G	2" Poly Bulkhead EPDM Gasket	3 1/4"	TF220	TF220SS	50/bag
TF220GV	2" Poly Bulkhead FKM(viton type) Gasket	3 1/4"	TF220	TF220SS	50/bag
TF300	3" Poly Bulkhead EPDM Gasket	4 1/2"	TF300	TF300SS	50/bag
TF300GV	3" Poly Bulkhead FKM(viton type) Gasket	4 1/2"	TF300	TF300SS	20/bag
TF400G	4" Poly Bulkhead EPDM Gasket	5 3/4"	TF400		1
TF400GV	4" Poly Bulkhead FKM(viton type) Gasket	5 3/4"	TF400		1

**Must order in bag quantities for quick and easy shipping and receiving of your order.**

# Anti Vortex Vent Cap

## FEATURES

- Male NPT.
- Glass reinforced polypropylene.
- 304 stainless steel screen (optional).



POLY ANTI VORTEX VENT CAPS					
PART NO	DESCRIPTION	BORE SIZE	BORE AREA	VENT AREA	QTY
VC200	2" Anti Vortex Vent Cap w/No Screen	2"	3.1 sq in	3.9 sq in	1
VC230	2" Anti Vortex Vent Cap w/12 Mesh 304 SS Screen	2"	3.1 sq in	3.9 sq in	1
VC300	3" Anti Vortex Vent Cap w/No Screen	3"	7 sq in	9 sq in	1
VC330	3" Anti Vortex Vent Cap w/10 Mesh 304 SS Screen	3"	7 sq in	9 sq in	1

Tank flange sold separately on page 68.

IBC/TANK ACC.

# Anti Vortex Tank Flange

## FEATURES

- Standard w/FKM (viton type).
- Prevents swirl in bottom of tank.



ANTI VORTEX TANK FLANGES			
PART NO	DESCRIPTION	HOLE SIZE	QTY
TF100AV	1" Anti Vortex Tank Flanges	2¼"	1
TF125AV	1¼" Anti Vortex Tank Flanges	2¼"	1
TF150AV	1½" Anti Vortex Tank Flanges	3"	1
TF200AV	2" Anti Vortex Tank Flanges	3"	1

## FEATURES

- Glass reinforced polypropylene.
- Heavy duty.



150# THREADED ANSI FLANGES		
PART NO	DESCRIPTION	QTY
AF100	1" Female Thread ANSI Flange	1
AF150	1½" Female Thread ANSI Flange	1
AF200	2" Female Thread ANSI Flange	1
AF300	3" Female Thread ANSI Flange	1
AF400	4" Female Thread ANSI Flange	1

150# BLIND ANSI FLANGES		
PART NO	DESCRIPTION	QTY
AFB200	2" Blind ANSI Flange	1
AFB300	3" Blind ANSI Flange	1
AFB400	4" Blind ANSI Flange	1



AF150G



AF200G

ANSI FLANGE GASKETS		
PART NO	DESCRIPTION	QTY
AF100G	1" ANSI Flange EPDM Gasket	1
AF100GV	1" ANSI Flange FKM (viton type) Gasket	1
AF150G	1½" ANSI Flange EPDM Gasket	1
AF150GV	1½" ANSI Flange FKM (viton type) Gasket	1
AF200G	2" ANSI Flange EPDM Gasket	1
AF200GV	2" ANSI Flange FKM (viton type) Gasket	1
AF300G	3" ANSI Flange EPDM Gasket	1
AF300GV	3" ANSI Flange FKM (viton type) Gasket	1
AF400G	4" ANSI Flange EPDM Gasket	1
AF400GV	4" ANSI Flange FKM (viton type) Gasket	1



# 316 Stainless Steel Cam Lever Couplings



## FEATURES

- Tough 316 stainless steel to insure durability.
- Chemical resistant to protect against corrosion.
- Precision-made, investment casting high quality process to assure uniformity & proper fit.
- Versatile to interchange with all types of cam lever couplings.
- Smooth operation makes connections quick & easy.
- Standard with Buna "N" gaskets. FKM (viton type) & EPDM available. PTFE Available upon request.



**WARNING: Couplings should not be disconnected under pressure or with liquid in the line.**

CAM LEVER COUPLINGS

## 316 STAINLESS STEEL CAM LEVER COUPLINGS

ITEM	DESCRIPTION	¾"	1"	1½"	2"	3"	4"
A	Male Adapter-Female Thread	075ASS	100ASS	150ASS	200ASS	300ASS	400ASS
B	Female Coupler-Male Thread	075BSS	100BSS	150BSS	200BSS	300BSS	400BSS
C	Female Coupler-Hose Shank	075CSS	100CSS	150CSS	200CSS	300CSS	400CSS
D	Female Coupler-Female Thread	075DSS	100DSS	150DSS	200DSS	300DSS	400DSS
E	Male Adapter-Hose Shank	075ESS	100ESS	150ESS	200ESS	300ESS	400ESS
F	Male Adapter-Male Thread	075FSS	100FSS	150FSS	200FSS	300FSS	400FSS
PL	Plug for Female Coupler	075PL/SS	100PL/SS	150PL/SS	200PL/SS	300PL/SS	400PL/SS
CAP	Cap for Male Adapter	075CAP/SS	100CAP/SS	150CAP/SS	200CAP/SS	300CAP/SS	400CAP/SS

## ¾" SERIES SS CAM LEVER COUPLINGS

PART NO	DESCRIPTION	MAX PSI	GASKET	QTY
075ASS	¾" Male Adapter-¾" Female Thread	300	N/A	1
075BSS	¾" Female Coupler-¾" Male Thread	300	Buna	1
075CSS	¾" Female Coupler-¾" Hose Shank	300	Buna	1
075DSS	¾" Female Coupler-¾" Female Thread	300	Buna	1
075ESS	¾" Male Adapter-¾" Hose Shank	300	N/A	1
075FSS	¾" Male Adapter-¾" Male Thread	300	N/A	1
075CAP/SS	¾" Cap-Male Adapter	300	Buna	1
075PL/SS	¾" Plug-Female Coupler	300	N/A	1

## 1" SERIES SS CAM LEVER COUPLINGS

PART NO	DESCRIPTION	MAX PSI	GASKET	QTY
100ASS	1" Male Adapter-1" Female Thread	300	N/A	1
100BSS	1" Female Coupler-1" Male Thread	300	Buna	1
100CSS	1" Female Coupler-1" Hose Shank	300	Buna	1
100DSS	1" Female Coupler-1" Female Thread	300	Buna	1
100ESS	1" Male Adapter-1" Hose Shank	300	N/A	1
100FSS	1" Male Adapter-1" Male Thread	300	N/A	1
100CAP/SS	1" Cap-Male Adapter	300	Buna	1
100PL/SS	1" Plug-Female Coupler	300	N/A	1

1½" SERIES SS CAM LEVER COUPLINGS				
PART NO	DESCRIPTION	MAX PSI	GASKET	QTY
150ASS	1½" Male Adapter-1½" Female Thread	300	N/A	1
150BSS	1½" Female Coupler-1½" Male Thread	300	Buna	1
150CSS	1½" Female Coupler-1½" Hose Shank	300	Buna	1
150DSS	1½" Female Coupler-1½" Female Thread	300	Buna	1
150ESS	1½" Male Adapter-1½" Hose Shank	300	N/A	1
150FSS	1½" Male Adapter-1½" Male Thread	300	N/A	1
150CAP/SS	1½" Cap-Male Adapter	300	Buna	1
150PL/SS	1½" Plug-Female Coupler	300	N/A	1

2" SERIES SS CAM LEVER COUPLINGS				
PART NO	DESCRIPTION	MAX PSI	GASKET	QTY
200ASS	2" Male Adapter-2" Female Thread	300	N/A	1
200BSS	2" Female Coupler-2" Male Thread	300	Buna	1
200CSS	2" Female Coupler-2" Hose Shank	300	Buna	1
200DSS	2" Female Coupler-2" Female Thread	300	Buna	1
200ESS	2" Male Adapter-2" Hose Shank	300	N/A	1
200FSS	2" Male Adapter-2" Male Thread	300	N/A	1
200CAP/SS	2" Cap-Male Adapter	300	Buna	1
200PL/SS	2" Plug-Female Coupler	300	N/A	1

3" SERIES SS CAM LEVER COUPLINGS				
PART NO	DESCRIPTION	MAX PSI	GASKET	QTY
300ASS	3" Male Adapter-3" Female Thread	300	N/A	1
300BSS	3" Female Coupler-3" Male Thread	300	Buna	1
300CSS	3" Female Coupler-3" Hose Shank	300	Buna	1
300DSS	3" Female Coupler-3" Female Thread	300	Buna	1
300ESS	3" Male Adapter-3" Hose Shank	300	N/A	1
300FSS	3" Male Adapter-3" Male Thread	300	N/A	1
300CAP/SS	3" Cap-Male Adapter	300	Buna	1
300PL/SS	3" Plug-Female Coupler	300	N/A	1

4" SERIES SS CAM LEVER COUPLINGS				
PART NO	DESCRIPTION	MAX PSI	GASKET	QTY
400ASS	4" Male Adapter-4" Female Thread	300	N/A	1
400BSS	4" Female Coupler-4" Male Thread	300	Buna	1
400CSS	4" Female Coupler-4" Hose Shank	300	Buna	1
400DSS	4" Female Coupler-4" Female Thread	300	Buna	1
400ESS	4" Male Adapter-4" Hose Shank	300	N/A	1
400FSS	4" Male Adapter-4" Male Thread	300	N/A	1
400CAP/SS	4" Cap-Male Adapter	300	Buna	1
400PL/SS	4" Plug-Female Coupler	300	N/A	1

REPLACEMENT PARTS SS CAM ARM W/RING		
PART NO	DESCRIPTION	QTY
300K6	3" & 4" Cam Arm w/Ring	1

REPLACEMENT PARTS SS COUPLING PINS & RINGS		
PART NO	DESCRIPTION	QTY
100RING	¾" & 1" Ring	1
150RING	1½", 2", 3" & 4" Ring	1

REPLACEMENT PARTS SS COUPLING GASKETS		
PART NO	DESCRIPTION	QTY
75GV	¾" FKM (viton type) Gasket	100/bag
100GV	1" FKM (viton type) Gasket	100/bag
150GV	1½" FKM (viton type) Gasket	100/bag
200GV	2" FKM (viton type) Gasket	50/bag
300GV	3" FKM (viton type) Gasket	25/bag
400GV	4" FKM (viton type) Gasket	25/bag

REPLACEMENT PARTS SS COUPLING GASKETS		
PART NO	DESCRIPTION	QTY
200GB	2" Buna Gasket	50/bag

# Polypropylene Cam Lever Couplings

## FEATURES

- Stainless steel rings, arms & pins.
- Most complete line of polypropylene couplings available.
- Versatile — interchangeable with all types of cam lever couplers.
- Precision molded — insures a uniform and accurate fit.
- Durable — Polypropylene is glass reinforced for rugged strength and durability.
- Smooth operating — finger rings are designed for easy opening of cam levers.
- Complete series of 1/2", 3/4", 1", 1 1/4", 1 1/2", 2", 3" and 4" NPT thread.
- BSP threads available 1" - 3" sizes (excluding 1 1/4").
- Economical and superior in performance.
- Standard with EPDM gaskets. Buna "N", and FKM (viton type) also available.



**WARNING: Couplings should not be disconnected under pressure or with liquid in the line.**



**303B & 303C  
& All 4" Couplings  
have 3 Arms for  
POSITIVE SEAL!**

**Must order in bag quantities for quick and easy shipping and receiving of your order.**

CAM LEVER COUPLINGS														
ITEM	DESCRIPTION	1/4" *	3/8" *	1/2" *	3/4"	1"	1 1/4" **	1 1/2" x 1 1/4" ***	1 1/2"	2"	2 1/2"	3"	3" 3 ARMS	4" 3 ARMS
A	Male Adapter-Female Thread	75A1/4	75A3/8	75A1/2	75A3/4	100A	125A	150125A	150A	200A		300A		400A
B	Female Coupler- Male Thread			75B1/2	75B3/4	100B	125B	150125B	150B	200B		300B	303B	400B
C	Female Coupler-Hose Shank			050C	075C	100C	125C	150125C	150C	200C		300C	303C	400C
D	Female Coupler-Female Thread		075D3/8	050D	075D	100D	125D	150125D	150D	200D		300D		400D
E	Male Adapter-Hose Shank			050E	075E	100E	125E	150125E	150E	200E		300E		400E
F	Male Adapter-Male Thread			050F	075F	100F	125F	150125F	150F	200F		300F		400F
PL	Plug for Female Coupler			75PL	75PL	100125PL	100125PL	150PL	150PL	200PL	250PL	300PL		400PL
CAP	Cap for Male Adapter			075CAP	075CAP	100125CAP	100125CAP	150CAP	150CAP	200CAP	250CAP	300CAP		400CAP (2 arms)
CAPSH	Cap w/Short Arms							200CAPSH						

NOTE: \*1/4", 3/8" and 1/2" series couplings interchange with 3/4" size couplings. Coupling ends are 3/4" size.  
 \*\*1 1/4" series couplings interchange with 1" size couplings. Coupling ends are 1" size.  
 \*\*\*1 1/2" x 1 1/4" couplings interchange with 1 1/2" size couplings. Coupling ends are 1 1/2" size.



1/2" POLY CAM LEVER COUPLINGS				
PART NO	DESCRIPTION	MAX PSI	GASKET	QTY
75A1/2	3/4" Male Adapter-1/2" Female Thread	225	N/A	10/bag
75B1/2	3/4" Female Coupler-1/2" Male Thread	300	EPDM	10/bag
050C	3/4" Female Coupler-1/2" Hose Shank	300	EPDM	10/bag
050D	3/4" Female Coupler-1/2" Female Thread	300	EPDM	10/bag
050E	3/4" Male Adapter-1/2" Hose Shank	300	N/A	10/bag
050F	3/4" Male Adapter-1/2" Male Thread	300	N/A	10/bag
075CAP	3/4" Cap-Male Adapter	300	EPDM	10/bag
75PL	3/4" Plug-Female Coupler	300	N/A	10/bag

3/4" POLY CAM LEVER COUPLINGS				
PART NO	DESCRIPTION	MAX PSI	GASKET	QTY
75A3/4	3/4" Male Adapter-3/4" Female Thread	225	N/A	10/bag
75B3/4	3/4" Female Coupler-3/4" Male Thread	300	EPDM	10/bag
075C	3/4" Female Coupler-3/4" Hose Shank	300	EPDM	10/bag
075D	3/4" Female Coupler-3/4" Female Thread	300	EPDM	10/bag
075E	3/4" Male Adapter-3/4" Hose Shank	300	N/A	10/bag
075F	3/4" Male Adapter-3/4" Male Thread	300	N/A	10/bag
075CAP	3/4" Cap-Male Adapter	300	EPDM	10/bag
75PL	3/4" Plug-Female Coupler	300	N/A	10/bag

3/4" x 1/4" POLY CAM LEVER COUPLINGS				
PART NO	DESCRIPTION	MAX PSI	GASKET	QTY
75A1/4	3/4" Male Adapter-1/4" Female Thread	300	N/A	10/bag

3/4" x 3/8" POLY CAM LEVER COUPLINGS				
PART NO	DESCRIPTION	MAX PSI	GASKET	QTY
75A3/8	3/4" Male Adapter-3/8" Female Thread	300	N/A	10/bag
075D3/8	3/4" Female Coupler-3/8" Female Thread	300	N/A	10/bag

**NOTE: 1/2" couplings interchange with 3/4" couplings. Banjo 1 1/4" Couplers & Adapters will interchange with 1" Couplings. Only the Threads and Barbs are 1 1/4".**

1" POLY CAM LEVER COUPLINGS				
PART NO	DESCRIPTION	MAX PSI	GASKET	QTY
100A	1" Male Adapter-1" Female Thread	300	N/A	10/bag
100B	1" Female Coupler-1" Male Thread	300	EPDM	10/bag
100C	1" Female Coupler-1" Hose Shank	300	EPDM	10/bag
100D	1" Female Coupler-1" Female Thread	300	EPDM	10/bag
100E	1" Male Adapter-1" Hose Shank	300	N/A	10/bag
100F	1" Male Adapter-1" Male Thread	300	N/A	10/bag
100125CAP	1" Cap-Male Adapter	300	EPDM	10/bag
100125PL	1" Plug-Female Coupler	300	N/A	10/bag

1" x 1 1/4" POLY CAM LEVER COUPLINGS				
PART NO	DESCRIPTION	MAX PSI	GASKET	QTY
125A	1" Male Adapter-1 1/4" Female Thread	300	N/A	10/bag
125B	1" Female Coupler-1 1/4" Male Thread	300	EPDM	10/bag
125C	1" Female Coupler-1 1/4" Hose Shank	300	EPDM	10/bag
125D	1" Female Coupler-1 1/4" Female Thread	300	EPDM	10/bag
125E	1" Male Adapter-1 1/4" Hose Shank	300	N/A	10/bag
125F	1" Male Adapter-1 1/4" Male Thread	300	N/A	10/bag
100125CAP	1" Cap-Male Adapter	300	EPDM	10/bag
100125PL	1" Plug-Female Coupler	300	N/A	10/bag

1 1/2" x 1 1/4" POLY CAM LEVER COUPLINGS				
PART NO	DESCRIPTION	MAX PSI	GASKET	QTY
150125A	1 1/2" Male Adapter-1 1/4" Female Thread	225	N/A	10/bag
150125B	1 1/2" Female Coupler-1 1/4" Male Thread	300	EPDM	1
150125C	1 1/2" Female Coupler-1 1/4" Hose Shank	300	EPDM	1
150125D	1 1/2" Female Coupler-1 1/4" Female Thread	300	EPDM	1
150125E	1 1/2" Male Adapter-1 1/4" Hose Shank	225	EPDM	10/bag
150125F	1 1/2" Male Adapter-1 1/4" Male Thread	300	N/A	10/bag
150CAP	1 1/2" Cap-Male Adapter	300	EPDM	1
150PL	1 1/2" Plug-Female Coupler	225	N/A	10/bag

**NOTE: 1 1/2" x 1 1/4" couplings interchange with 1 1/2" size couplings. Coupling and Adapter ends are 1 1/2" size. Only the threads and barbs are 1 1/4".**

2" POLY CAM LEVER COUPLINGS				
PART NO	DESCRIPTION	MAX PSI	GASKET	QTY
200A	2" Male Adapter-2" Female Thread	225	N/A	10/bag
200B	2" Female Coupler-2" Male Thread	225	EPDM	1
201B	2" Female Coupler-2" Extended Male Thread	200	EPDM	1
200C	2" Female Coupler-2" Hose Shank	225	EPDM	1
200D	2" Female Coupler-2" Female Thread	200	EPDM	1
200E	2" Male Adapter-2" Hose Shank	200	N/A	10/bag
200F	2" Male Adapter-2" Male Thread	300	N/A	10/bag
200CAP	2" Cap-Male Adapter	200	EPDM	1
200CAPSH	2" Cap-Male Adapter w/Short Arms	200	EPDM	1
200PL	2" Plug-Female Coupler	225	N/A	10/bag

1 1/2" POLY CAM LEVER COUPLINGS				
PART NO	DESCRIPTION	MAX PSI	GASKET	QTY
150A	1 1/2" Male Adapter-1 1/2" Female Thread	225	N/A	10/bag
150B	1 1/2" Female Coupler-1 1/2" Male Thread	300	EPDM	1
150C	1 1/2" Female Coupler-1 1/2" Hose Shank	300	EPDM	1
150D	1 1/2" Female Coupler-1 1/2" Female Thread	300	EPDM	1
150E	1 1/2" Male Adapter-1 1/2" Hose Shank	200	N/A	10/bag
150F	1 1/2" Male Adapter-1 1/2" Male Thread	300	N/A	10/bag
150CAP	1 1/2" Cap-Male Adapter	300	EPDM	1
150PL	1 1/2" Plug-Female Coupler	225	N/A	10/bag



2" x 1 1/2" PART C				
PART NO	DESCRIPTION	MAX PSI	GASKET	QTY
200150C	2" Female Coupler- 1 1/2" Hose Shank	225	EPDM	1

### 3" POLY CAM LEVER COUPLINGS

PART NO	DESCRIPTION	MAX PSI	GASKET	QTY
300A	3" Male Adapter-3" Female Thread	100	N/A	1
300B	3" Female Coupler-3" Male Thread	150	EPDM	1
303B	3" Female Coupler-3" Extended Male Thread	75	EPDM	1
300C	3" Female Coupler-3" Hose Shank	200	EPDM	1
303C	3" Female Coupler w/3 Arms-3" Hose Shank	200	EPDM	1
300D	3" Female Coupler-3" Female Thread	200	EPDM	1
300E	3" Male Adapter-3" Hose Shank	150	N/A	1
300F	3" Male Adapter-3" Male Thread	100	N/A	1
300CAP	3" Cap-Male Adapter	100	EPDM	1
300PL	3" Plug-Female Coupler	150	N/A	1

### 4" w/3 ARMS POLY CAM LEVER COUPLINGS

PART NO	DESCRIPTION	MAX PSI	GASKET	QTY
400A	4" Male Adapter-4" Female Thread	75	N/A	1
400B	4" Female Coupler-4" Male Thread	150	EPDM	1
400C	4" Female Coupler-4" Hose Shank	150	EPDM	1
400D	4" Female Coupler-4" Female Thread	100	EPDM	1
400E	4" Male Adapter-4" Hose Shank	50	N/A	1
400F	4" Male Adapter-4" Male Thread	75	N/A	1
400CAP	4" Cap-Male Adapter (w/2 arms)	100	EPDM	1
400PL	4" Plug-Female Coupler	75	N/A	1



### 3" w/3 ARMS POLY CAM LEVER COUPLINGS

PART NO	DESCRIPTION	MAX PSI	GASKET	QTY
303B200A	3" Female Coupler w/3 Arms-2" Male Adapter	200	EPDM	1



### SPOOL ADAPTERS

PART NO	DESCRIPTION	MAX PSI	GASKET	QTY
200FF	2" Male Adapter-2" Male Adapter	150	N/A	1
300F200F	3" Male Adapter-2" Male Adapter	75	N/A	1
300FF	3" Male Adapter-3" Male Adapter	75	N/A	1



201B



303B



303C

### POLY CAM LEVER COUPLINGS

PART NO	DESCRIPTION	MAX PSI	GASKET	QTY
201B	2" Female Coupler-2" Extended Male Thread	200	EPDM	1
303B	3" Female Coupler-3" Extended Male Thread	75	EPDM	1
303C	3" Female Coupler w/3 Arms-3" Hose Shank	200	EPDM	1

### REPLACEMENT PARTS

PART NO	DESCRIPTION	QTY
100RING	1/2", 3/4", 1" & 1 1/4" Ring	1
150RING	1 1/2", 2" & 3" Ring	1
150(200)K	1 1/2" & 2" SS Cam Arm w/Ring	1
300K	3" SS Cam Arm w/Ring	1
V20207	11" Lanyard	1

**Must order in bag quantities for quick and easy shipping and receiving of your order.**

Note: PTFE Gaskets available upon request.

### REPLACEMENT PARTS POLY COUPLING GASKETS

PART NO	DESCRIPTION	QTY
75SHM	3/4" Shim	1
100SHM	1" Shim	1
150SHM	1 1/2" Shim	1
200SHM	2" Shim	1
300SHM	3" Shim	1
400SHM	4" Shim	1
75G	1/2" & 3/4" EPDM Gasket	100/bag
75GV	1/2" & 3/4" FKM (viton type) Gasket	100/bag
100G	1" & 1 1/4" EPDM Gasket	100/bag
100GV	1" & 1 1/4" FKM (viton type) Gasket	100/bag
150G	1 1/2" EPDM Gasket	100/bag
150GV	1 1/2" FKM (viton type) Gasket	100/bag
200G	2" EPDM Gasket	50/bag
200GV	2" FKM (viton type) Gasket	25/bag
300G	3" EPDM Gasket	25/bag
300GV	3" FKM (viton type) Gasket	25/bag
400G	4" EPDM Gasket	25/bag
400GV	4" FKM (viton type) Gasket	25/bag
400GV	4" FKM (viton type) Gasket	25/bag



## FEATURES

- Precision molded in polypropylene, reinforced with fiberglass for strength and durability.
- Stainless steel rings, cam levers and pins resist corrosion.
- Banjo 90° angle couplings and adapters will reduce the number of elbows and other pipe fittings used in plumbing applications.

### 1½" 90° POLY CAM LEVER COUPLINGS

PART NO	DESCRIPTION	MAX PSI	GASKET	QTY
150A90	1½" 90° Male Adapter-1½" Female Thread	225	EPDM	1
150C90	1½" 90° Female Coupler-1½" Hose Shank	225	EPDM	1
150D90	1½" 90° Female Coupler-1½" Female Thread	300	EPDM	1
150F90	1½" 90° Male Adapter-1½" Male Thread	300	EPDM	1

### 2" 90° POLY CAM LEVER COUPLINGS

PART NO	DESCRIPTION	MAX PSI	GASKET	QTY
200A90	2" 90° Male Adapter-2" Female Thread	225	EPDM	1
200B90	2" 90° Female Coupler-2" Male Thread	225	EPDM	1
200C90	2" 90° Female Coupler-2" Hose Shank	225	EPDM	1
200D90	2" 90° Female Coupler-2" Female Thread	200	EPDM	1
200F90	2" 90° Male Adapter-2" Male Thread	225	EPDM	1



## 2" Polypropylene 45° Couplings



**WARNING: Couplings should not be disconnected under pressure or with liquid in the line.**

### 2" 45° POLY CAM LEVER COUPLINGS

PART NO	DESCRIPTION	MAX PSI	GASKET	QTY
200F45	2" 45° Male Adapter-2" Male Thread	225	N/A	1



## Polypropylene Switch-a-Roos

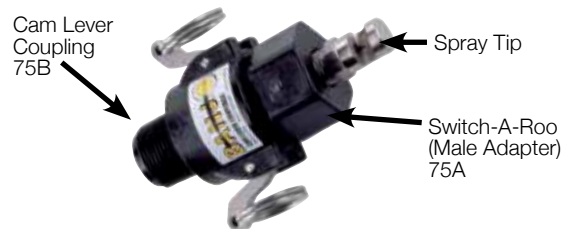
### FEATURES

- The Switch-A-Roo is a fast, convenient method of changing spray nozzles on fertilizer application equipment.
- Precision molded in polypropylene (fiberglass reinforced) for high strength and toughness.
- The female coupling is available in either ½" or ¾" pipe thread and normally mounted on the spray boom.
- The male adapter is available in four different thread sizes ¼", ⅜", ½", and ¾" to fit all size spray nozzles.
- Switch-A-Roo's available with self-aligning grooves.

**Must order in bag quantities for quick and easy shipping and receiving of your order.**

### POLY SWITCH-A-ROOS

PART NO	DESCRIPTION	PSI	QTY
75A1/4/SA	¾" Male Adapter-¼" w/Self-aligning Groove	300	10/bag
75A3/8/SA	¾" Male Adapter-⅜" w/Self-aligning Groove	300	10/bag
75A1/2/SA	¾" Male Adapter-½" w/Self-aligning Groove	225	10/bag
75A3/4/SA	¾" Male Adapter-¾" w/Self-aligning Groove	225	10/bag
75B1/2	¾" Female Coupler-½" Male Thread	300	10/bag
75B3/4	¾" Female Coupler-¾" Male Thread	300	10/bag



# Garden Hose Fittings

## FEATURES

- Quick and simple way to connect and disconnect your garden hose.
- Easily connects hose to spigot, sprinkler, nozzle or other hose end accessories.
- Durable, rustproof polypropylene construction.
- Never have to use pliers to tighten to prevent leaks.
- Yellow fiberglass reinforced polypropylene.
- Standard 3/4" opening diameter.



GARDEN HOSE FITTINGS				
PART NO	DESCRIPTION	PSI	QTY	
GHFT075A	3/4" Adapter x 3/4" Garden Hose Female Thread	225	10	bag
GHMT075B	3/4" Coupler x 3/4" Garden Hose Male Thread	300	10	bag
GHFT075D	3/4" Coupler x 3/4" Garden Hose Female Thread	300	10	bag
GHMT075F	3/4" Adapter x 3/4" Garden Hose Male Thread	300	10	bag
GHFT075MPT	3/4" Male NPT x 3/4" Garden Hose Female Thread	300	10	bag
GHMT075FPT	3/4" Female NPT x 3/4" Garden Hose Male Thread	300	10	bag
GHMT075MPT	3/4" Male NPT x 3/4" Garden Hose Male Thread	300	10	bag

# Garden Hose Spray Nozzle

## FEATURES

- Heavy-duty machined aluminum construction stands up to hard use.
- Comfort-grip soft rubber provides a comfortable gripping texture.
- Resists dents, mars and scratches and also protects any surface that comes in contact with nozzle.
- Aluminum hose connection provides a tight fit, will not rust.
- Multiple spray pattern adjusts from a powerful jet stream to a gentle fan spray. Ideal for all your spraying needs.
- Stainless steel spray cap for precise spray patterns.



Spray nozzle patterns



GARDEN HOSE SPRAY NOZZLE				
PART NO	DESCRIPTION	PSI	QTY	
GHN075	3/4" Garden Hose Spray Nozzle	N/A	1	



### FEATURES

- Perfect for tight, hard to reach spaces!
- Minimizes parts that protrude by tightening together versus tightening away from.
- Deep socket tools not required.
- 300 Stainless steel construction.



TWO BARREL HARDWARE CLAMPS				
PART NO	DESCRIPTION	MIN/MAX DIAMETER	MAX TORQUE	QTY
BC090	3/4" 300 SS Floating Bridgew/Lockwasher	0.91"/0.98"	75 in-lbs	1
BC114	1" 300 SS Floating Bridge w/Lockwasher	1.14"/1.22"	75 in-lbs	1

BANJO MAN		
PART NO	DESCRIPTION	QTY
BANJOMAN	18" x 29"- Assembly Required	1

## Banjo Super Clamps

### FEATURES

- Stainless steel construction.
- 304 Stainless steel bolt with 316 SS nut to prevent seizing.
- 360° sealing surface.
- Ideal for high torque applications.
- Strong, positive connections where ordinary hose clamps fail.
- T-bolt design.
- 3 spot welds for extra strength.



**Torque Specifications: Working Torque: 50-80 inch pounds.  
Maximum Torque: 125 inch pounds**

BANJO SUPER CLAMPS				
PART NO	DESCRIPTION	MIN/MAX DIAMETER	MAX TORQUE	QTY
TC120	1" T-Bolt Hose Clamp	1.20"/1.34"	75 in-lbs	10/bag
TC130	1 1/4" T-Bolt Hose Clamp	1.30"/1.70"	75 in-lbs	10/bag
TC150	1 1/2" T-Bolt Hose Clamp	1.50"/1.75"	125 in-lbs	10/bag
TC162	1 1/4" T-Bolt Hose Clamp	1.62"/1.87"	125 in-lbs	10/bag
TC181	1 1/2" T-Bolt Hose Clamp	1.81"/2.06"	125 in-lbs	10/bag
TC193	1 1/2" T-Bolt Hose Clamp	1.93"/2.18"	125 in-lbs	10/bag
TC206	2" T-Bolt Hose Clamp	2.06"/2.40"	125 in-lbs	10/bag
TC218	2" T-Bolt Hose Clamp	2.18"/2.50"	125 in-lbs	10/bag
TC224	2" T-Bolt Hose Clamp	2.24"/2.55"	125 in-lbs	10/bag
TC231	2" T-Bolt Hose Clamp	2.31"/2.62"	125 in-lbs	10/bag
TC250	2" T-Bolt Hose Clamp	2.50"/2.81"	125 in-lbs	10/bag
TC287	2" T-Bolt Hose Clamp	2.87"/3.18"	125 in-lbs	10/bag
TC312	3" T-Bolt Hose Clamp	3.12"/3.49"	125 in-lbs	10/bag
TC331	3" T-Bolt Hose Clamp	3.31"/3.62"	125 in-lbs	10/bag
TC343	3" T-Bolt Hose Clamp	3.50"/3.82"	125 in-lbs	10/bag
TC425	4" T-Bolt Hose Clamp	4.25"/4.56"	125 in-lbs	10/bag
TC438	4" T-Bolt Hose Clamp	4.38"/4.76"	125 in-lbs	10/bag
TC456	4" T-Bolt Hose Clamp	4.56"/4.94"	125 in-lbs	10/bag

## FEATURES

- Glass reinforced polypropylene.
- Heavy duty (Schedule 80).
- Lightweight with excellent strength.
- NPT threads.
- Excellent chemical resistance.



### POLY NIPPLES

PART NO	DESCRIPTION	PSI	QTY
NIP025-SH	1/4" Short Poly Nipple	300	10/bag
NIP038-SH	3/8" Short Poly Nipple	300	10/bag
NIP050-SH	1/2" Short Poly Nipple	300	10/bag
NIP050-3	1/2" x 3" Poly Nipple	300	10/bag
NIP075-SH	3/4" Short Poly Nipple	300	10/bag
NIP075-4	3/4" x 4" Poly Nipple	300	10/bag
NIP075-6	3/4" x 6" Poly Nipple	300	10/bag
NIP100-SH	1" Short Poly Nipple	300	10/bag
NIP100-4	1" x 4" Poly Nipple	300	10/bag
NIP100-6	1" x 6" Poly Nipple	300	10/bag
NIP125-SH	1 1/4" Short Poly Nipple	300	10/bag
NIP125-4	1 1/4" x 4" Poly Nipple	300	10/bag
NIP125-6	1 1/4" x 6" Poly Nipple	300	10/bag
NIP150-SH	1 1/2" Short Poly Nipple	300	10/bag
NIP150-3	1 1/2" x 3" Poly Nipple	300	10/bag
NIP150-4	1 1/2" x 4" Poly Nipple	300	10/bag
NIP150-5	1 1/2" x 5" Poly Nipple	300	10/bag
NIP150-6	1 1/2" x 6" Poly Nipple	300	10/bag
NIP200-SH	2" Short Poly Nipple	300	10/bag
NIP200-4	2" x 4" Poly Nipple	300	10/bag
NIP200-6	2" x 6" Poly Nipple	300	10/bag
NIP300-SH	3" Short Poly Nipple	300	1
NIP300-4	3" x 4" Poly Nipple	300	1
NIP300-6	3" x 6" Poly Nipple	300	1
NIP400-SH	4" Short Poly Nipple	300	1

**Must order in bag quantities for quick and easy shipping and receiving of your order.**



### POLY REDUCING NIPPLES

PART NO	DESCRIPTION	PSI	QTY
RN050-038	1/2" x 3/8" Poly Reducing Nipple	300	10/bag
RN075-050	3/4" x 1/2" Poly Reducing Nipple	300	10/bag
RN100-050	1" x 1/2" Poly Reducing Nipple	300	10/bag
RN100-075	1" x 3/4" Poly Reducing Nipple	300	10/bag
RN125-075	1 1/4" x 3/4" Poly Reducing Nipple	300	10/bag
RN125-100	1 1/4" x 1" Poly Reducing Nipple	300	10/bag
RN150-100	1 1/2" x 1" Poly Reducing Nipple	300	10/bag
RN150-125	1 1/2" x 1 1/4" Poly Reducing Nipple	300	10/bag
RN200-125	2" x 1 1/4" Poly Reducing Nipple	300	10/bag
RN200-150	2" x 1 1/2" Poly Reducing Nipple	300	10/bag
RN300-200	3" x 2" Poly Reducing Nipple	300	1



### POLY PIPE COUPLINGS

PART NO	DESCRIPTION	PSI	QTY
CPLG025	1/4" Poly Pipe Coupling	300	10/bag
CPLG038	3/8" Poly Pipe Coupling	300	10/bag
CPLG050	1/2" Poly Pipe Coupling	300	10/bag
CPLG075	3/4" Poly Pipe Coupling	300	10/bag
CPLG100	1" Poly Pipe Coupling	300	10/bag
CPLG125	1 1/4" Poly Pipe Coupling	300	10/bag
CPLG150	1 1/2" Poly Pipe Coupling	300	10/bag
CPLG200	2" Poly Pipe Coupling	300	10/bag
CPLG300	3" Poly Pipe Coupling	225	1



### POLY REDUCING COUPLINGS

PART NO	DESCRIPTION	PSI	QTY
RC100-075	1" x 3/4" Poly Reducing Coupling	300	10/bag
RC150-100	1 1/2" x 1" Poly Reducing Coupling	300	10/bag
RC150-125	1 1/2" x 1 1/4" Poly Reducing Coupling	300	10/bag
RC200-050	2" x 1/2" Poly Reducing Coupling	300	10/bag
RC200-100	2" x 1" Poly Reducing Coupling	300	10/bag
RC200-125	2" x 1 1/4" Poly Reducing Coupling	300	10/bag
RC200-150	2" x 1 1/2" Poly Reducing Coupling	300	10/bag
RC300-200	3" x 2" Poly Reducing Coupling	300	1



### POLY REDUCING BUSHING

PART NO	DESCRIPTION	PSI	QTY
RB038-025	3/8" MPT x 1/4" FPT Reducing Bushing	300	10/bag
RB050-025	1/2" MPT x 1/4" FPT Reducing Bushing	300	10/bag
RB050-038	1/2" MPT x 3/8" FPT Reducing Bushing	300	10/bag
RB075-018	3/4" MPT x 1/8" FPT Reducing Bushing	300	10/bag
RB075-025	3/4" MPT x 1/4" FPT Reducing Bushing	300	10/bag
RB075-038	3/4" MPT x 3/8" FPT Reducing Bushing	300	10/bag
RB075-050	3/4" MPT x 1/2" FPT Reducing Bushing	300	10/bag
RB100-025	1" MPT x 1/4" FPT Reducing Bushing	300	10/bag
RB100-050	1" MPT x 1/2" FPT Reducing Bushing	300	10/bag
RB100-075	1" MPT x 3/4" FPT Reducing Bushing	300	10/bag
RB125-075	1 1/4" MPT x 3/4" FPT Reducing Bushing	300	10/bag
RB125-100	1 1/4" MPT x 1" FPT Reducing Bushing	300	10/bag
RB150-075	1 1/2" MPT x 3/4" FPT Reducing Bushing	300	10/bag
RB150-100	1 1/2" MPT x 1" FPT Reducing Bushing	300	10/bag
RB150-125	1 1/2" MPT x 1 1/4" FPT Reducing Bushing	300	10/bag
RB200-075	2" MPT x 3/4" FPT Reducing Bushing	300	10/bag
RB200-100	2" MPT x 1" FPT Reducing Bushing	300	10/bag
RB200-125	2" MPT x 1 1/4" FPT Reducing Bushing	300	10/bag
RB200-150	2" MPT x 1 1/2" FPT Reducing Bushing	300	10/bag
RB300-150	3" MPT x 1 1/2" FPT Reducing Bushing	300	1
RB300-200	3" MPT x 2" FPT Reducing Bushing	300	1
RB400-300	4" MPT x 3" FPT Reducing Bushing	300	1

- Glass reinforced polypropylene.
- Heavy duty (Schedule 80).
- Lightweight with excellent strength.
- NPT threads.
- Excellent chemical resistance.

**Must order in bag quantities for quick and easy shipping and receiving of your order.**



POLY PIPE CAPS			
PART NO	DESCRIPTION	PSI	QTY
CAP050	1/2" Poly Pipe Cap	300	10/bag
CAP075	3/4" Poly Pipe Cap	300	10/bag
CAP100	1" Poly Pipe Cap	300	10/bag
CAP125	1 1/4" Poly Pipe Cap	300	10/bag
CAP150	1 1/2" Poly Pipe Cap	300	10/bag
CAP200	2" Poly Pipe Cap	300	10/bag
CAP300	3" Poly Pipe Cap	300	1



POLY CROSSES			
PART NO	DESCRIPTION	PSI	QTY
CR025	1/4" Poly Cross	300	10/bag
CR038	3/8" Poly Cross	300	10/bag
CR050	1/2" Poly Cross	300	5/bag
CR075	3/4" Poly Cross	300	5/bag
CR100	1" Poly Cross	300	5/bag
CR125	1 1/4" Poly Cross	300	1
CR150	1 1/2" Poly Cross	300	1
CR200	2" Poly Cross	300	1



POLY PIPE PLUGS			
PART NO	DESCRIPTION	PSI	QTY
PLUG025	1/4" Poly Pipe Plug	300	10/bag
PLUG038	3/8" Poly Pipe Plug	300	10/bag
PLUG050	1/2" Poly Pipe Plug	300	10/bag
PLUG075	3/4" Poly Pipe Plug	300	10/bag
PLUG100	1" Poly Pipe Plug	300	10/bag
PLUG125	1 1/4" Poly Pipe Plug	300	10/bag
PLUG150	1 1/2" Poly Pipe Plug	300	10/bag
PLUG200	2" Poly Pipe Plug	300	10/bag
PLUG300	3" Poly Pipe Plug	300	1



POLY TEES			
PART NO	DESCRIPTION	PSI	QTY
TEE025	1/4" Poly Tee	300	10/bag
TEE038	3/8" Poly Tee	300	10/bag
TEE050	1/2" Poly Tee	300	10/bag
TEE075	3/4" Poly Tee	300	10/bag
TEE100	1" Poly Tee	300	10/bag
TEE125	1 1/4" Poly Tee	300	10/bag
TEE150	1 1/2" Poly Tee	300	1
TEE200	2" Poly Tee	300	1
TEE300	3" Poly Tee	225	1



POLY CROSSES			
PART NO	DESCRIPTION	PSI	QTY
HBC050075	1/2" x 3/4" Hose Barb Cross	300	1



POLY GAUGE TEE (GAUGE NOT INCLUDED)			
PART NO	DESCRIPTION	PSI	QTY
TEG075	3/4" Poly Tee w/ 1/4" Female Thread	300	10/bag
TEG100	1" Poly Tee w/ 1/4" Female Thread	300	10/bag





### 90° POLY ELBOWS

PART NO	DESCRIPTION	PSI	QTY
EL025-90	1/4" 90° Poly Elbow	300	10/bag
EL038-90	3/8" 90° Poly Elbow	300	10/bag
EL050-90	1/2" 90° Poly Elbow	300	10/bag
EL075-90	3/4" 90° Poly Elbow	300	10/bag
EL100-90	1" 90° Poly Elbow	300	10/bag
EL125-90	1 1/4" 90° Poly Elbow	300	10/bag
EL150-90	1 1/2" 90° Poly Elbow	300	10/bag
EL200-90	2" 90° Poly Elbow	300	1
EL300-90	3" 90° Poly Elbow	300	1



### 90° POLY HOSE BARB ELBOW

PART NO	DESCRIPTION	PSI	QTY
HBEL100-90	1" 90° Poly Hose Barb Elbow	300	10/bag



### 45° POLY ELBOW

PART NO	DESCRIPTION	PSI	QTY
EL100-45	1" 45° Poly Street Elbow	300	10/bag



### 90° POLY HOSE BARB ELBOW

PART NO	DESCRIPTION	PSI	QTY
HBB20012590	2" x 1 1/4" 90° Poly Hose Barb Elbow	300	10/bag



### 90° POLY STREET ELBOWS

PART NO	DESCRIPTION	PSI	QTY
SL025-90	1/4" 90° Poly Street Elbow	300	10/bag
SL038-90	3/8" 90° Poly Street Elbow	300	10/bag
SL050-90	1/2" 90° Poly Street Elbow	300	10/bag
SL075-90	3/4" 90° Poly Street Elbow	300	10/bag
SL100-90	1" 90° Poly Street Elbow	300	10/bag
SL125-90	1 1/4" 90° Poly Street Elbow	300	10/bag
SL150-90	1 1/2" 90° Poly Street Elbow	300	10/bag
SL200-90	2" 90° Poly Street Elbow	300	10/bag
SL300-90	3" 90° Poly Street Elbow	300	1



### 90° POLY HOSE BARB ELBOW

PART NO	DESCRIPTION	PSI	QTY
HBEL150/100-90	1 1/2" x 1" 90° Poly Hose Barb Elbow	300	1



### 45° POLY STREET ELBOWS

PART NO	DESCRIPTION	PSI	QTY
SL075-45	3/4" 45° Poly Street Elbow	300	10/bag
SL100-45	1" 45° Poly Street Elbow	300	10/bag
SL125-45	1 1/4" 45° Poly Street Elbow	300	10/bag
SL150-45	1 1/2" 45° Poly Street Elbow	300	10/bag
SL200-45	2" 45° Poly Street Elbow	225	10/bag
SL300-45	3" 45° Poly Street Elbow	300	1

**Must order in bag quantities for quick and easy shipping and receiving of your order.**

- Glass reinforced polypropylene.
- Heavy duty (Schedule 80).
- Lightweight with excellent strength.
- NPT threads.
- Excellent chemical resistance.



### POLY STRAIGHT HOSE BARBS

PART NO	DESCRIPTION	PSI	QTY
HB025	1/4" Male Thread x 1/4" Hose Barb	300	10/bag
HB025-038	1/4" Male Thread x 3/8" Hose Barb	300	10/bag
HB025-050	1/4" Male Thread x 1/2" Hose Barb	300	10/bag
HB038	3/8" Male Thread x 3/8" Hose Barb	300	10/bag
HB038-025	3/8" Male Thread x 1/4" Hose Barb	300	10/bag
HB038-050	3/8" Male Thread x 1/2" Hose Barb	300	10/bag
HB050-025	1/2" Male Thread x 1/4" Hose Barb	300	10/bag
HB050-038	1/2" Male Thread x 3/8" Hose Barb	300	10/bag
HB050	1/2" Male Thread x 1/2" Hose Barb	300	10/bag
HB050-075	1/2" Male Thread x 3/4" Hose Barb	300	10/bag
HB075-038	3/4" Male Thread x 3/8" Hose Barb	300	10/bag
HB075-050	3/4" Male Thread x 1/2" Hose Barb	300	10/bag
HB075-058	3/4" Male Thread x 5/8" Hose Barb	300	10/bag
HB075	3/4" Male Thread x 3/4" Hose Barb	300	10/bag
HB075-100	3/4" Male Thread x 1" Hose Barb	300	10/bag
HB100-075	1" Male Thread x 3/4" Hose Barb	300	10/bag
HB100	1" Male Thread x 1" Hose Barb	300	10/bag
HB100-125	1" Male Thread x 1 1/4" Hose Barb	300	10/bag
HB125-075	1 1/4" Male Thread x 3/4" Hose Barb	300	10/bag
HB125-100	1 1/4" Male Thread x 1" Hose Barb	300	10/bag
HB125	1 1/4" Male Thread x 1 1/4" Hose Barb	300	10/bag
HB125-150	1 1/4" Male Thread x 1 1/2" Hose Barb	300	10/bag
HB150-100	1 1/2" Male Thread x 1" Hose Barb	300	10/bag
HB150-125	1 1/2" Male Thread x 1 1/4" Hose Barb	300	10/bag
HB150	1 1/2" Male Thread x 1 1/2" Hose Barb	300	10/bag
HB150-200	1 1/2" Male Thread x 2" Hose Barb	300	10/bag
HB200-150	2" Male Thread x 1 1/2" Hose Barb	300	10/bag
HB200	2" Male Thread x 2" Hose Barb	300	10/bag
HB300	3" Male Thread x 3" Hose Barb	225	1
HB400	4" Male Thread x 4" Hose Barb	150	1



### POLY 90° HOSE BARBS

PART NO	DESCRIPTION	PSI	QTY
HB025-90	1/4" Male Thread x 1/4" 90° Hose Barb	300	10/bag
HB025/038-90	1/4" Male Thread x 3/8" 90° Hose Barb	300	10/bag
HB025/050-90	1/4" Male Thread x 1/2" 90° Hose Barb	300	10/bag
HB038-90	3/8" Male Thread x 3/8" 90° Hose Barb	300	10/bag
HB050/038-90	1/2" Male Thread x 3/8" 90° Hose Barb	300	10/bag
HB050-90	1/2" Male Thread x 1/2" 90° Hose Barb	300	10/bag
HB050/075-90	1/2" Male Thread x 3/4" 90° Hose Barb	300	10/bag
HB075/050-90	3/4" Male Thread x 1/2" 90° Hose Barb	300	10/bag
HB075-90	3/4" Male Thread x 3/4" 90° Hose Barb	300	10/bag
HB075/100-90	3/4" Male Thread x 1" 90° Hose Barb	300	10/bag
HB100/075-90	1" Male Thread x 3/4" 90° Hose Barb	300	10/bag
HB100-90	1" Male Thread x 1" 90° Hose Barb	300	10/bag
HB100/125-90	1" Male Thread x 1 1/4" 90° Hose Barb	300	10/bag
HB125/100-90	1 1/4" Male Thread x 1" 90° Hose Barb	300	10/bag
HB125-90	1 1/4" Male Thread x 1 1/4" 90° Hose Barb	300	10/bag
HB125/150-90	1 1/4" Male Thread x 1 1/2" 90° Hose Barb	300	10/bag
HB150/125-90	1 1/2" Male Thread x 1 1/4" 90° Hose Barb	300	10/bag
HB150-90	1 1/2" Male Thread x 1 1/2" 90° Hose Barb	300	10/bag
HB200/150-90	2" Male Thread x 1 1/2" 90° Hose Barb	300	10/bag
HB200-90	2" Male Thread x 2" 90° Hose Barb	300	10/bag
HB300-90	3" Male Thread x 3" 90° Hose Barb	225	1



### POLY FEMALE HOSE BARBS

PART NO	DESCRIPTION	PSI	QTY
HBF075	3/4" Female Thread	300	10/bag
HBF075-100	3/4" Female Thread x 1" Hose Shank	300	10/bag
HBF100	1" Female Thread x 1" Hose Shank	300	10/bag



### 316 SS HOSE BARBS

PART NO	DESCRIPTION	PSI	QTY
HB025SS	1/4" Male Thread x 1/4" Hose Shank	300	1
HB025-038SS	1/4" Male Thread x 3/8" Hose Shank	300	1
HB025-050SS	1/4" Male Thread x 1/2" Hose Shank	300	1
HB038SS	3/8" Male Thread x 3/8" Hose Shank	300	1
HB038-050SS	3/8" Male Thread x 1/2" Hose Shank	300	1
HB050SS	1/2" Male Thread x 1/2" Hose Shank	300	1
HB050-058SS	1/2" Male Thread x 5/8" Hose Shank	300	1
HB050-075SS	1/2" Male Thread x 3/4" Hose Shank	300	1
HB075-050SS	3/4" Male Thread x 1/2" Hose Shank	300	1
HB075SS	3/4" Male Thread x 3/4" Hose Shank	300	1
HB075-100SS	3/4" Male Thread x 1" Hose Shank	300	1
HB100-075SS	1" Male Thread x 3/4" Hose Shank	300	1
HB100SS	1" Male Thread x 1" Hose Shank	300	1
HB125SS	1 1/4" Male Thread x 1 1/4" Hose Shank	300	1
HB150SS	1 1/2" Male Thread x 1 1/2" Hose Shank	300	1
HB200SS	2" Male Thread x 2" Hose Shank	300	1
HB300SS	3" Male Thread x 3" Hose Shank	300	1

**Must order in bag quantities for quick and easy shipping and receiving of your order.**



**POLY HOSE BARB TEES**

PART NO	DESCRIPTION	PSI	QTY
HBT025	1/4" Hose Barb Tee	300	10/bag
HBT038	3/8" Hose Barb Tee	300	10/bag
HBT050-038	1/2" x 1/2" x 3/8" Hose Barb Tee	300	10/bag
HBT050	1/2" Hose Barb Tee	300	10/bag
HBT050-075	1/2" x 1/2" x 3/4" Hose Barb Tee	300	10/bag
HBT075-050	3/4" x 3/4" x 1/2" Hose Barb Tee	300	10/bag
HBT075	3/4" Hose Barb Tee	300	10/bag
HBT075-100	3/4" x 3/4" x 1" Hose Barb Tee	300	10/bag
HBT100-075	1" x 1" x 3/4" Hose Barb Tee	300	10/bag
HBT100	1" Hose Barb Tee	300	10/bag
HBT200	2" Hose Barb Tee	300	1
HBT300	3" Hose Barb Tee	300	1



**POLY HOSE MENDERS**

PART NO	DESCRIPTION	PSI	QTY
HM025	1/4" x 1/4" Hose Barb	300	10/bag
HM038	3/8" x 3/8" Hose Barb	300	10/bag
HM050	1/2" x 1/2" Hose Barb	300	10/bag
HM075	3/4" x 3/4" Hose Barb	300	10/bag
HM100	1" x 1" Hose Barb	300	10/bag
HM125	1 1/4" x 1 1/4" Hose Barb	300	10/bag
HM150	1 1/2" x 1 1/2" Hose Barb	300	10/bag
HM200	2" x 2" Hose Barb	300	10/bag
HM300	3" x 3" Hose Barb	300	1



**POLY HOSE BARB THREADED TEES**

PART NO	DESCRIPTION	PSI	QTY
HBT100-100	1" Hose Barb x 1" Hose Barb x 1" Male Thread Hose Barb Tee	300	10/bag
HBT150-100	1 1/2" Hose Barb x 1 1/2" Hose Barb x 1" Male Thread Hose Barb Tee	300	1
HBT150-150	1 1/2" Hose Barb x 1 1/2" Hose Barb x 1 1/2" Male Thread Hose Barb Tee	300	1



**POLY SWIVEL**

PART NO	DESCRIPTION	MAX PSI	QTY
SW100	1" Male x 1" Female Swivel	300	1
SW150	1 1/2" Male x 1 1/2" Female Swivel	300	1
SW220	2" Full Port Male x 2" Full Port Female Swivel	150	1



**SS HOSE BARB THREADED TEE**

PART NO	DESCRIPTION	PSI	QTY
HBT075-050SS	3/4" Hose Barb x 3/4" Hose Barb x 1/2" Male Thread Hose Barb Tee	300	1



**8 STATION POLY MANIFOLD**

PART NO	DESCRIPTION	QTY
TM075/050	8 Station Manifold 3/4" Inlet x 1/2" Outlet, 1/4" Gauge Port	1

**Must order in bag quantities for quick and easy shipping and receiving of your order.**

**Recommended procedure for sealing pipe threads:**

We DO NOT recommend using pipe tape. Pipe tape enlarges the outside diameter of the male thread and may cause the female thread to split. We recommend using a pipe thread sealant. Use on clean tapered threads. Apply a thick even coat on male threads using brush applicator. For pipe diameters smaller than 1 1/4" apply to male threads only. For 1 1/4" and larger sizes apply to both male and female threads. Avoid applying excessive amounts. Hand tighten joints and then torque another 1/2 to 3/4 turn until threads seal.

**RECTORSEAL® No. 21™:** This is a slow drying, soft set multi-purpose sealant designed for use where black is preferred. 8 oz. can with brush in the cap. Conforms to TT-S-1732.

**RECTORSEAL® TRU-BLU™:** This is a fast drying, flexible set thread sealant designed for high vibration environments. Teflon® has been added to enhance thread lubrication during assembly and break out. 8 oz. can with brush in the cap. Conforms to TT-S-1732.

NOTE: All recommendations as to use of parts and materials mentioned in this catalog assume that the buyer will ascertain their suitability and that all safety and health standards are met.\*DuPont Registered Trademark

**NOTE: WE CAN NO LONGER SHIP THIS PRODUCT OUTSIDE OF THE UNITED STATES.**



**PIPE SEALANT**

PART NO	DESCRIPTION	QTY
RS21	RECTORSEAL® No. 21™ (8 oz-24/case)	1
RSTB	RECTORSEAL® TRU-BLU™ (8 oz-24/case)	1



## FEATURES

- Heavy-duty glass reinforced polypropylene.
- Clear or black polypropylene bowl.
- Polypropylene ribbed 316 stainless steel screens.
- EPDM gaskets standard.
- Convenient color coded screens for easy mesh size identification. (Refer to chart below)



**1/2" Mini T-Strainer with Clear Bowl**



**1/2" Mini T-Strainer with Black Bowl**

SCREENS	
MESH SIZE	RIB COLOR
30 MESH	FLAME RED
50 MESH	GENETIAN BLUE
80 MESH	ZINC YELLOW
100 MESH	TRAFFIC GREEN

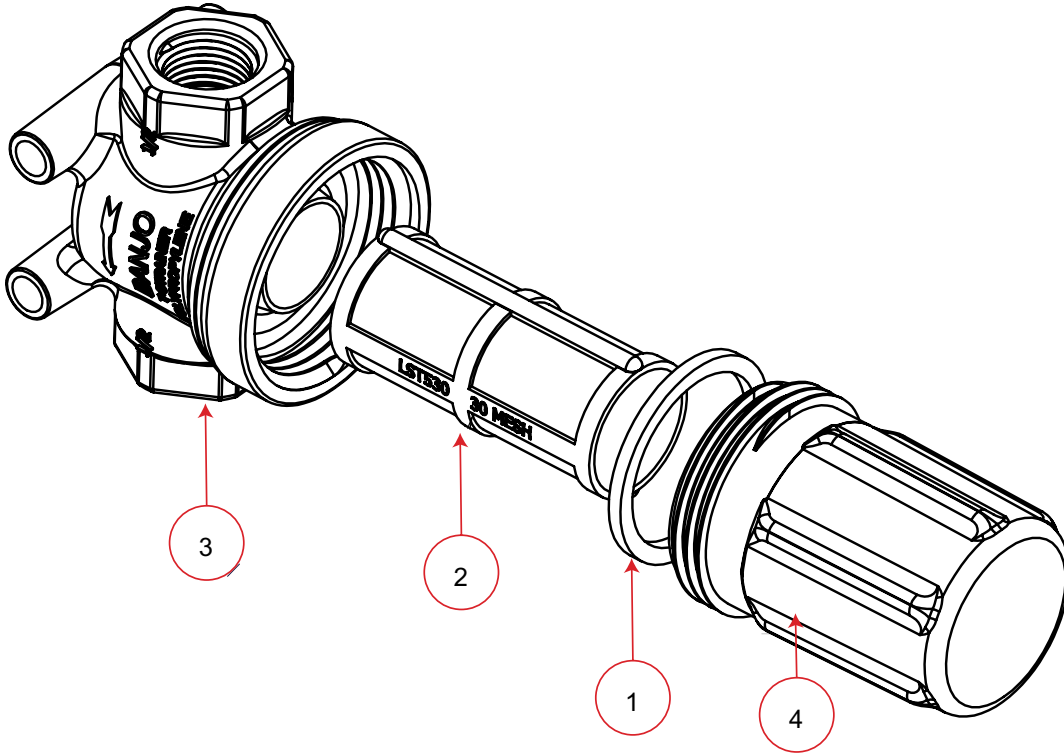
1/2" MINI T-STRAINER W/CLEAR BOWL				
PART NO	DESCRIPTION	PSI	QTY	
LSTM050-30C	1/2" x 1/2" Clear Bowl Strainer w/30 Mesh Screen	200	1	
LSTM050-50C	1/2" x 1/2" Clear Bowl Strainer w/50 Mesh Screen	200	1	
LSTM050-80C	1/2" x 1/2" Clear Bowl Strainer w/80 Mesh Screen	200	1	
LSTM050-100C	1/2" x 1/2" Clear Bowl Strainer w/100 Mesh Screen	200	1	

1/2" MINI T-STRAINER W/BLACK BOWL				
PART NO	DESCRIPTION	PSI	QTY	
LSTM050-30	1/2" x 1/2" Black Bowl Strainer w/30 Mesh Screen	200	1	
LSTM050-50	1/2" x 1/2" Black Bowl Strainer w/50 Mesh Screen	200	1	
LSTM050-80	1/2" x 1/2" Black Bowl Strainer w/80 Mesh Screen	200	1	
LSTM050-100	1/2" x 1/2" Black Bowl Strainer w/100 Mesh Screen	200	1	

3/4" MINI T-STRAINER W/CLEAR BOWL				
PART NO	DESCRIPTION	PSI	QTY	
LSTM075-30C	3/4" x 3/4" Clear Bowl Strainer w/30 Mesh Screen	200	1	
LSTM075-50C	3/4" x 3/4" Clear Bowl Strainer w/50 Mesh Screen	200	1	
LSTM075-80C	3/4" x 3/4" Clear Bowl Strainer w/80 Mesh Screen	200	1	
LSTM075-100C	3/4" x 3/4" Clear Bowl Strainer w/100 Mesh Screen	200	1	

3/4" MINI T-STRAINER W/BLACK BOWL				
PART NO	DESCRIPTION	PSI	QTY	
LSTM075-30	3/4" x 3/4" Black Bowl Strainer w/30 Mesh Screen	200	1	
LSTM075-50	3/4" x 3/4" Black Bowl Strainer w/50 Mesh Screen	200	1	
LSTM075-80	3/4" x 3/4" Black Bowl Strainer w/80 Mesh Screen	200	1	
LSTM075-100	3/4" x 3/4" Black Bowl Strainer w/100 Mesh Screen	200	1	

STANDARD MESHES & DATA (FOR GENERAL USE ONLY)				
MESH	MICRONS	WIRE DIAMETER	OPENING	% OPEN AREA
30 Mesh	595	.012	.021	40.8
50 Mesh	297	.009	.011	30.3
80 Mesh	177	.0055	.007	31.4
100 Mesh	149	.0045	.005	30.3



**REPLACEMENT PARTS LSTM050-C & LSTM075-C**

ITEM	PART NO	DESCRIPTION	QTY
1	LSTM050G	EPDM Gasket	1
2	LST530	30 Mesh Screen	1
2	LST550	50 Mesh Screen	1
2	LST580	80 Mesh Screen	1
2	LST5100	100 Mesh Screen	1
3	LSTM050H	1/2" Strainer Head	1
4	LSTM050BC	Clear Bowl	1

**REPLACEMENT PARTS LSTM050 & LSTM075**

ITEM	PART NO	DESCRIPTION	QTY
1	LSTM050G	EPDM Gasket	1
2	LST530	30 Mesh Screen	1
2	LST550	50 Mesh Screen	1
2	LST580	80 Mesh Screen	1
2	LST5100	100 Mesh Screen	1
3	LSTM050H	1/2" Strainer Head	1
4	LSTM050B	Black Bowl	1



## FEATURES

- Heavy-duty glass reinforced polypropylene.
- Clean-out plug.
- 316 stainless steel reinforced screens.
- EPDM gaskets standard. FKM (viton type) available.



**3/4" And 1"**



**1 1/4" And 1 1/2"**

SCREENS	
MESH SIZE	RIB COLOR
16 MESH	<b>BROWN RED</b>
30 MESH	<b>FLAME RED</b>
50 MESH	<b>GENETIAN BLUE</b>
80 MESH	<b>ZINC YELLOW</b>
100 MESH	<b>TRAFFIC GREEN</b>

3/4" T-STRAINER W/SS SCREENS				
PART NO	DESCRIPTION	PSI	QTY	
LST075-16	3/4" x 3/4" T Strainer w/16 Mesh SS Screen	300	1	
LST075-30	3/4" x 3/4" T Strainer w/30 Mesh SS Screen	300	1	
LST075-50	3/4" x 3/4" T Strainer w/50 Mesh SS Screen	300	1	
LST075-80	3/4" x 3/4" T Strainer w/80 Mesh SS Screen	300	1	
LST075-100	3/4" x 3/4" T Strainer w/100 Mesh SS Screen	300	1	

1 1/4" T-STRAINER W/SS SCREENS				
PART NO	DESCRIPTION	PSI	QTY	
LST125-16	1 1/4" x 1 1/4" T Strainer w/16 Mesh SS Screen	300	1	
LST125-30	1 1/4" x 1 1/4" T Strainer w/30 Mesh SS Screen	300	1	
LST125-50	1 1/4" x 1 1/4" T Strainer w/50 Mesh SS Screen	300	1	
LST125-80	1 1/4" x 1 1/4" T Strainer w/80 Mesh SS Screen	300	1	
LST125-100	1 1/4" x 1 1/4" T Strainer w/100 Mesh SS Screen	300	1	

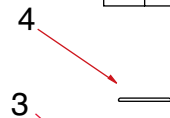
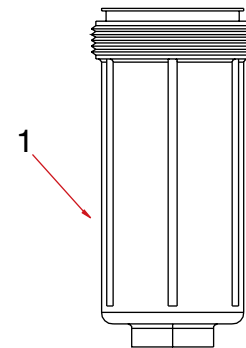
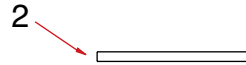
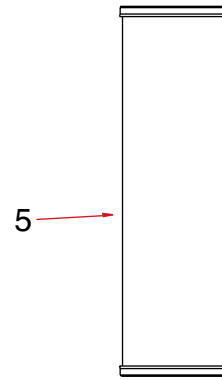
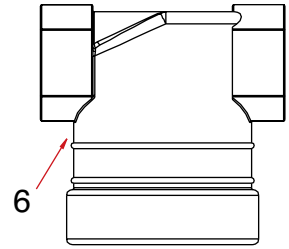
1" T-STRAINER W/SS SCREENS				
PART NO	DESCRIPTION	PSI	QTY	
LST100-16	1" x 1" T Strainer w/16 Mesh SS Screen	300	1	
LST100-30	1" x 1" T Strainer w/30 Mesh SS Screen	300	1	
LST100-50	1" x 1" T Strainer w/50 Mesh SS Screen	300	1	
LST100-80	1" x 1" T Strainer w/80 Mesh SS Screen	300	1	
LST100-100	1" x 1" T Strainer w/100 Mesh SS Screen	300	1	

1 1/2" T-STRAINER W/SS SCREENS				
PART NO	DESCRIPTION	PSI	QTY	
LST150-16	1 1/2" x 1 1/2" T Strainer w/16 Mesh SS Screen	300	1	
LST150-30	1 1/2" x 1 1/2" T Strainer w/30 Mesh SS Screen	300	1	
LST150-50	1 1/2" x 1 1/2" T Strainer w/50 Mesh SS Screen	300	1	
LST150-80	1 1/2" x 1 1/2" T Strainer w/80 Mesh SS Screen	300	1	
LST150-100	1 1/2" x 1 1/2" T Strainer w/100 Mesh SS Screen	300	1	

### REPLACEMENT PARTS LST075 & LST100

ITEM	PART NO	DESCRIPTION	QTY
1	LST100-B	¾" & 1" Bowl	1
2	LST100-G	¾" & 1" EPDM Gasket	1
2	LST100-GV	¾" & 1" FKM (viton type) Gasket	1
3	12777	½" Plug	1
4	UV15163V	FKM (viton type) O-Ring for Clean Out Plug	1
5	LST116	16 Mesh Screen	1
5	LST130	30 Mesh Screen	1
5	LST150	50 Mesh Screen	1
5	LST180	80 Mesh Screen	1
5	LST1100	100 Mesh Screen	1
6	LST075-H	¾" Strainer Head	1
6	LST100-H	1" Strainer Head	1
N/S	LST075-HB	¾" Strainer Head, Bowl & Gasket	1
N/S	LST100-HB	1" Strainer Head, Bowl & Gasket	1

**NOTE: Items marked with asterisk\* include parts 1, 3 and 4.**



### REPLACEMENT PARTS LST125 & LST150

ITEM	PART NO	DESCRIPTION	QTY
1	LST150-B	1¼" & 1½" Bowl	1
2	LST150-G	1¼" & 1½" EPDM Gasket	1
2	LST150-GV	1¼" & 1½" FKM (viton type) Gasket	1
3	LSQ200-PL	1" Clean Out Plug	1
4	LSQ200-RV	FKM (viton type) O-Ring for Clean Out Plug	1
5	LST1516	16 Mesh Screen	1
5	LST1530	30 Mesh Screen	1
5	LST1550	50 Mesh Screen	1
5	LST1580	80 Mesh Screen	1
5	LST15100	100 Mesh Screen	1
6	LST125-H	1¼" Strainer Head	1
6	LST150-H	1½" Strainer Head	1
N/S	LST125-HB	1¼" Strainer Head, Bowl & Gasket	1
N/S	LST150-HB	1½" Strainer Head, Bowl & Gasket	1

**NOTE: Items marked with asterisk\* include parts 1, 3 and 4.**

### STANDARD MESHES & DATA (FOR GENERAL USE ONLY)

MESH	MICRONS	WIRE DIAMETER	OPENING	% OPEN AREA
16 Mesh	1190	.018	.044	50.7
30 Mesh	595	.012	.021	40.8
50 Mesh	297	.009	.011	30.3
80 Mesh	177	.0055	.007	31.4
100 Mesh	149	.0045	.005	30.3

**FEATURES**

- 316 stainless steel head.
- Glass reinforced polypropylene bowl.
- Clean-out plug.
- 316 stainless steel reinforced screens.
- FKM (viton type) gaskets.



2" POLY/SS T-STRAINER W/ SCREENS			
PART NO	DESCRIPTION	PSI	QTY
LST200-04SS	2" x 2" T Strainer (SS Head & Poly Body) w/4 Mesh Screen	300	1
LST200-06SS	2" x 2" T Strainer (SS Head & Poly Body) w/6 Mesh Screen	300	1
LST200-10SS	2" x 2" T Strainer (SS Head & Poly Body) w/10 Mesh Screen	300	1
LST200-16SS	2" x 2" T Strainer (SS Head & Poly Body) w/16 Mesh Screen	300	1
LST200-30SS	2" x 2" T Strainer (SS Head & Poly Body) w/30 Mesh Screen	300	1
LST200-50SS	2" x 2" T Strainer (SS Head & Poly Body) w/50 Mesh Screen	300	1
LST200-80SS	2" x 2" T Strainer (SS Head & Poly Body) w/80 Mesh Screen	300	1
LST200-100SS	2" x 2" T Strainer (SS Head & Poly Body) w/100 Mesh Screen	300	1

## LSQ Polypropylene Line Strainers

**FEATURES**

- Precision molded in glass reinforced polypropylene.
- Cam lever configuration for easy access for cleaning and servicing.
- 3/4" plug in cam lever cap for attaching ball valve for draining or back flushing.
- Poly ribbed 316 stainless steel screen.
- EPDM lathe cut gasket.
- FKM (viton type) gaskets available.

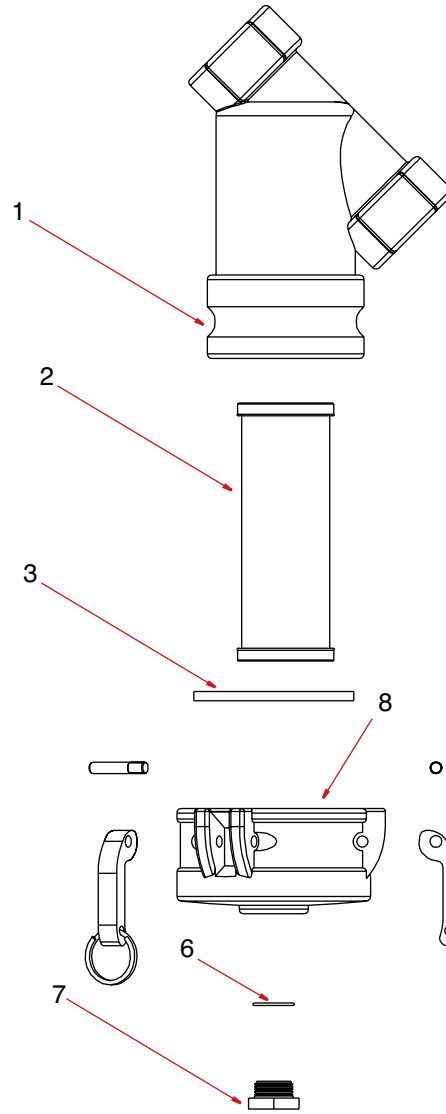
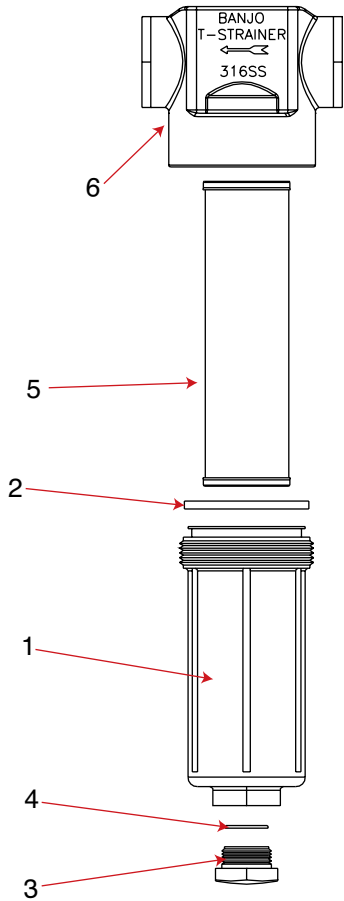


SCREENS	
MESH SIZE	RIB COLOR
6 MESH	WHITE
12 MESH	BLACK
20 MESH	BEIGE
30 MESH	FLAME RED
50 MESH	GENETIAN BLUE
80 MESH	ZINC YELLOW
120 MESH	BLACK

1 1/2" LSQ POLY STRAINERS			
PART NO	DESCRIPTION	PSI	QTY
LSQ150-06	1 1/2" x 1 1/2" LSQ Strainer w/6 Mesh Screen	100	6/Box
LSQ150-12	1 1/2" x 1 1/2" LSQ Strainer w/12 Mesh Screen	100	6/Box
LSQ150-20	1 1/2" x 1 1/2" LSQ Strainer w/20 Mesh Screen	100	6/Box
LSQ150-30	1 1/2" x 1 1/2" LSQ Strainer w/30 Mesh Screen	100	6/Box
LSQ150-50	1 1/2" x 1 1/2" LSQ Strainer w/50 Mesh Screen	100	6/Box
LSQ150-80	1 1/2" x 1 1/2" LSQ Strainer w/80 Mesh Screen	100	6/Box
LSQ150-120	1 1/2" x 1 1/2" LSQ Strainer w/120 Mesh Screen	100	6/Box

**For faster shipping, order in box quantities.**

2" LSQ POLY STRAINERS			
PART NO	DESCRIPTION	PSI	QTY
LSQ200-06	2" x 2" LSQ Strainer w/6 Mesh Screen	100	6/Box
LSQ200-12	2" x 2" LSQ Strainer w/12 Mesh Screen	100	6/Box
LSQ200-20	2" x 2" LSQ Strainer w/20 Mesh Screen	100	6/Box
LSQ200-30	2" x 2" LSQ Strainer w/30 Mesh Screen	100	6/Box
LSQ200-50	2" x 2" LSQ Strainer w/50 Mesh Screen	100	6/Box
LSQ200-80	2" x 2" LSQ Strainer w/80 Mesh Screen	100	6/Box
LSQ200-120	2" x 2" LSQ Strainer w/120 Mesh Screen	100	6/Box



REPLACEMENT PARTS LST200			
ITEM	PART NO	DESCRIPTION	QTY
1	LST200-B	2" Poly Bowl	1
2	LST200-GV	2" FKM (viton type) Gasket	1
3	LSQ200-PL	1" Clean Out Plug	1
4	LSQ200-RV	FKM (viton type) O-Ring for Clean Out Plug	1
5	LST204SS	4 Mesh SS Screen	1
5	LST206SS	6 Mesh SS Screen	1
5	LST208SS	8 Mesh SS Screen	1
5	LST210SS	10 Mesh SS Screen	1
5	LST216SS	16 Mesh SS Screen	1
5	LST230SS	30 Mesh SS Screen	1
5	LST250SS	50 Mesh SS Screen	1
5	LST280SS	80 Mesh SS Screen	1
5	LST2100SS	100 Mesh SS Screen	1
5	LST200-HSS	2" SS Head	1
N/S	LST200-HBSS	2" SS Head, Poly Bowl & Gasket	1

**NOTE:** Items marked with asterisk\* include parts 1, 3 and 4.

STANDARD MESHES & DATA (FOR GENERAL USE ONLY)				
MESH	MICRONS	WIRE DIAMETER	OPENING	% OPEN AREA
6 Mesh	3360	.035	.132	62.7
8 Mesh	2380	.028	.097	60.2
10 Mesh	2000	.025	.075	56.3
12 Mesh	1680	.023	.060	51.8
16 Mesh	1190	.018	.044	50.7
20 Mesh	841	.016	.034	46.2
30 Mesh	595	.012	.021	40.8
50 Mesh	297	.009	.011	30.3
80 Mesh	177	.0055	.007	31.4
100 Mesh	149	.0045	.005	30.3
120 Mesh	125	.0037	.0046	30.5

REPLACEMENT PARTS LSQ150 & LSQ200			
ITEM	PART NO	DESCRIPTION	QTY
1	LSQ150-B	1½" LSQ Body	1
1	LSQ200-B	2" LSQ Body	1
2	LS206	6 Mesh Screen	1
2	LS212	12 Mesh Screen	1
2	LS220	20 Mesh Screen	1
2	LS230	30 Mesh Screen	1
2	LS250	50 Mesh Screen	1
2	LS280	80 Mesh Screen	1
2	LS2120	120 Mesh Screen	1
3	LSQ200-G	2" EPDM Gasket	1
3	LSQ200-GV	2" FKM (viton type) Gasket	1
6	13778V	O-Ring	1
7	PLUG075S	¾" Clean Out Plug	1
8	LSQ200-C	2" Cap	1

**NOTE:** Items marked with asterisk\* include parts 6 and 7.



## FEATURES

- Precision molded construction.
- Corrosion resistant.
- Lightweight.
- Fiberglass reinforced.
- Easy grip end cap.
- Poly ribbed 304 stainless steel screen.
- EPDM gaskets FKM (viton type) available.
- Heavy duty end cap threads.
- Clean-out plug.
- Female NPT x Female NPT.



1/2" Y-STRAINER W/POLY RIBBED SS SCREENS			
PART NO	DESCRIPTION	PSI	QTY
LS050-20	1/2" x 1/2" Y Strainer w/20 Mesh SS Screen	225	1
LS050-40	1/2" x 1/2" Y Strainer w/40 Mesh SS Screen	225	1
LS050-60	1/2" x 1/2" Y Strainer w/60 Mesh SS Screen	225	1
LS050-80	1/2" x 1/2" Y Strainer w/80 Mesh SS Screen	225	1

1" Y-STRAINER W/ POLY RIBBED SS SCREENS			
PART NO	DESCRIPTION	PSI	QTY
LS100-20	1" x 1" Y Strainer w/20 Mesh SS Screen	200	1
LS100-40	1" x 1" Y Strainer w/40 Mesh SS Screen	200	1
LS100-80	1" x 1" Y Strainer w/80 Mesh SS Screen	200	1

3/4" Y-STRAINER W/ POLY RIBBED SS SCREENS			
PART NO	DESCRIPTION	PSI	QTY
LS075-20	3/4" x 3/4" Y Strainer w/20 Mesh SS Screen	225	1
LS075-40	3/4" x 3/4" Y Strainer w/40 Mesh SS Screen	225	1
LS075-60	3/4" x 3/4" Y Strainer w/60 Mesh SS Screen	225	1
LS075-80	3/4" x 3/4" Y Strainer w/80 Mesh SS Screen	225	1

1 1/4" Y-STRAINER W/ POLY RIBBED SS SCREENS			
PART NO	DESCRIPTION	PSI	QTY
LS125-20	1 1/4" x 1 1/4" Y Strainer w/20 Mesh SS Screen	200	1
LS125-40	1 1/4" x 1 1/4" Y Strainer w/40 Mesh SS Screen	200	1
LS125-80	1 1/4" x 1 1/4" Y Strainer w/80 Mesh SS Screen	200	1



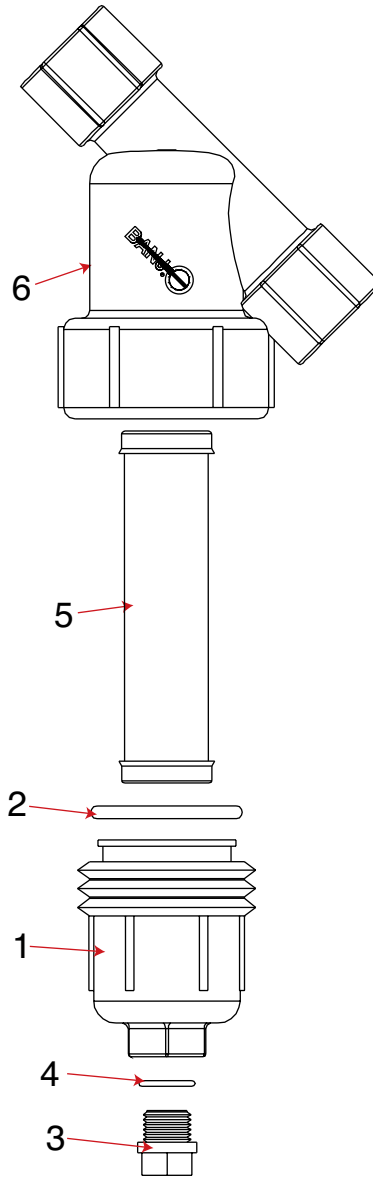
### REPLACEMENT PARTS 1/2"-3/4" Y STRAINERS

ITEM	PART NO	DESCRIPTION	QTY
1	LS075-C1	1/2"-3/4" End Cap	1
2	LS075-G	1/2"-3/4" O-Ring	1
2	LS075-GV	1/2"-3/4" FKM (viton type) Gasket	1
3	12723	1/4" Drain Plug (Fits 1/2"-3/4")	1
4	12724	1/2"-3/4" EPDM O-Ring for Drain Plug	1
5	LS720	1/2"-3/4" 20 Mesh Screen	1
5	LS740	1/2"-3/4" 40 Mesh Screen	1
5	LS760	1/2"-3/4" 60 Mesh Screen	1
5	LS780	1/2"-3/4" 80 Mesh Screen	1
6	LS050-B	1/2" Y Body	1
6	LS075-B	3/4" Y Body	1
N/S	LS050B/C1	1/2" Y Body, Cap & Gasket	1
N/S	LS075B/C1	3/4" Y Body, Cap & Gasket	1

### REPLACEMENT PARTS 1"-1 1/4" Y STRAINERS

ITEM	PART NO	DESCRIPTION	QTY
1	LS100-C1	1"-1 1/4" End Cap	1
2	LS100-G	1"-1 1/4" O-Ring	1
2	LS100-GV	1"-1 1/4" FKM (viton type) Gasket	1
3	12777	1/2" Plug (Fits 1"-1 1/4")	1
5	LS120	1"-1 1/4" 20 Mesh Screen	1
5	LS140	1"-1 1/4" 40 Mesh Screen	1
5	LS180	1"-1 1/4" 80 Mesh Screen	1
6	LS100-B	1" Y Body	1
6	LS125-B	1 1/4" Y Body	1
N/S	LS100B/C1	1" Y Body, Cap & Gasket	1
N/S	LS125B/C1	1 1/4" Y Body, Cap & Gasket	1

**NOTE:** Items marked with asterisk\* come with parts 1, 3, and 4.



### SCREENS

MESH SIZE	RIB COLOR
6 MESH	WHITE
12 MESH	BLACK
20 MESH	BEIGE
30 MESH	FLAME RED
40 MESH	BROWN
50 MESH	GENETIAN BLUE
60 MESH	GENETIAN BLUE
80 MESH	ZINC YELLOW
100 MESH	TRAFFIC GREEN
120 MESH	BLACK

### STANDARD MESHES & DATA (FOR GENERAL USE ONLY)

MESH	MICRONS	WIRE DIAMETER	OPENING	% OPEN AREA
6 Mesh	3360	.035	.132	62.7
8 Mesh	2380	.028	.097	60.2
12 Mesh	1680	.023	.060	51.8
16 Mesh	1190	.018	.044	50.7
20 Mesh	841	.016	.034	46.2
30 Mesh	595	.012	.021	40.8
40 Mesh	400	.010	.015	36.0
50 Mesh	297	.009	.011	30.3
60 Mesh	250	.0075	.009	30.5
80 Mesh	177	.0055	.007	31.4
100 Mesh	149	.0045	.005	30.3
120 Mesh	125	.0037	.0046	30.5

## FEATURES

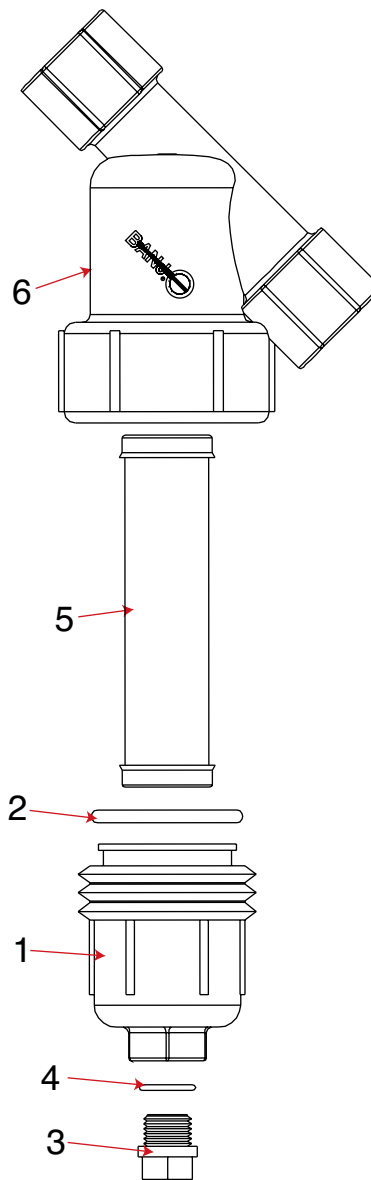
- Precision molded construction.
- Corrosion resistant.
- Lightweight.
- Fiberglass reinforced.
- Easy grip end cap.
- Poly ribbed 316 stainless steel screen.
- EPDM gaskets FKM (viton type) available.
- Heavy duty end cap threads.
- Clean-out plug.
- Female NPT x Female NPT.



1½" Y-STRAINER W/POLY RIBBED SS SCREENS			
PART NO	DESCRIPTION	PSI	QTY
LS150-06	1½" x 1½" Y Strainer w/6 Mesh SS Screen	150	1
LS150-12	1½" x 1½" Y Strainer w/12 Mesh SS Screen	150	1
LS150-20	1½" x 1½" Y Strainer w/20 Mesh SS Screen	150	1
LS150-30	1½" x 1½" Y Strainer w/30 Mesh SS Screen	150	1
LS150-50	1½" x 1½" Y Strainer w/50 Mesh SS Screen	150	1
LS150-80	1½" x 1½" Y Strainer w/80 Mesh SS Screen	150	1
LS150-120	1½" x 1½" Y Strainer w/120 Mesh SS Screen	150	1

2" Y-STRAINER W/POLY RIBBED SS SCREENS			
PART NO	DESCRIPTION	PSI	QTY
LS200-06	2" x 2" Y Strainer w/6 Mesh Poly Ribbed SS Screen	150	1
LS200-12	2" x 2" Y Strainer w/12 Mesh Poly Ribbed SS Screen	150	1
LS200-20	2" x 2" Y Strainer w/20 Mesh Poly Ribbed SS Screen	150	1
LS200-30	2" x 2" Y Strainer w/30 Mesh Poly Ribbed SS Screen	150	1
LS200-50	2" x 2" Y Strainer w/50 Mesh Poly Ribbed SS Screen	150	1
LS200-80	2" x 2" Y Strainer w/80 Mesh Poly Ribbed SS Screen	150	1
LS200-100	2" x 2" Y Strainer w/100 Mesh Poly Ribbed SS Screen	150	1
LS200-120	2" x 2" Y Strainer w/120 Mesh Poly Ribbed SS Screen	150	1

REPLACEMENT PARTS 1½"-2" Y STRAINERS			
ITEM	PART NO	DESCRIPTION	QTY
1	LS150-C*	1½" - 2" End Cap	1
2	LS150-G	1½"-2" O-Ring	1
2	LS150-GV	1½"-2" FKM (viton type) Gasket	1
3	LSQ200-PL	1" Drain Plug (Fits 1½" - 2")	1
4	LSQ200-RV	1½"-2" FKM (viton type) O-Ring for Drain Plug	1
5	LS206	1½"-2" 6 Mesh Screen	1
5	LS212	1½"-2" 12 Mesh Screen	1
5	LS220	1½"-2" 20 Mesh Screen	1
5	LS230	1½"-2" 30 Mesh Screen	1
5	LS250	1½"-2" 50 Mesh Screen	1
5	LS280	1½"-2" 80 Mesh Screen	1
5	LS2100	1½"-2" 100 Mesh Screen	1
5	LS2120	1½"-2" 120 Mesh Screen	1
5	LS212P	1½"-2" 12 Mesh All Poly Screen	1
5	LS220P	1½"-2" 20 Mesh All Poly Screen	1
5	LS250P	1½"-2" 50 Mesh All Poly Screen	1
6	LS150-B	1½" Y Body	1
6	LS200-B	2" Y Body	1
N/S	LS150B/C	1½" Y Body, Cap & Gasket	1
N/S	LS200B/C	2" Y Body, Cap & Gasket	1



**NOTE:** Items marked with asterisk\* come with parts 1, 3, and 4.

SCREENS	
MESH SIZE	RIB COLOR
6 MESH	WHITE
12 MESH	BLACK
20 MESH	BEIGE
30 MESH	FLAME RED
40 MESH	BROWN
50 MESH	GENETIAN BLUE
80 MESH	ZINC YELLOW
100 MESH	TRAFFIC GREEN
120 MESH	BLACK

STANDARD MESHES & DATA (FOR GENERAL USE ONLY)				
MESH	MICRONS	WIRE DIAMETER	OPENING	% OPEN AREA
6 Mesh	3360	.035	.132	62.7
8 Mesh	2380	.028	.097	60.2
12 Mesh	1680	.023	.060	51.8
16 Mesh	1190	.018	.044	50.7
20 Mesh	841	.016	.034	46.2
30 Mesh	595	.012	.021	40.8
40 Mesh	400	.010	.015	36.0
50 Mesh	297	.009	.011	30.3
60 Mesh	250	.0075	.009	30.5
80 Mesh	177	.0055	.007	31.4
100 Mesh	149	.0045	.005	30.3
120 Mesh	125	.0037	.0046	30.5

## FEATURES

- Lightweight.
- High volume.
- Constructed of glass reinforced polypropylene.
- 1/2" drain plug in bottom of cap.
- Reinforced 304 stainless steel screen.
- 3" female NPT threads.
- 75 P.S.I. maximum.\*



## FEATURES

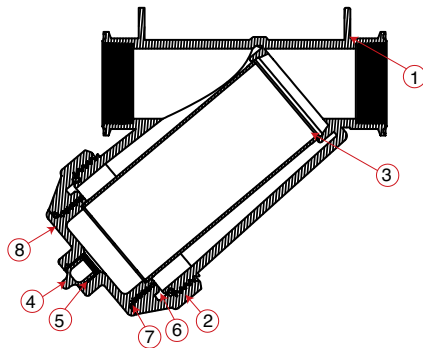
- EPDM gaskets standard FKM (viton type) available.
- Corrosion resistant.
- 200 P.S.I. maximum.
- Clean-out plug.
- 316 Stainless steel screens sold separately.



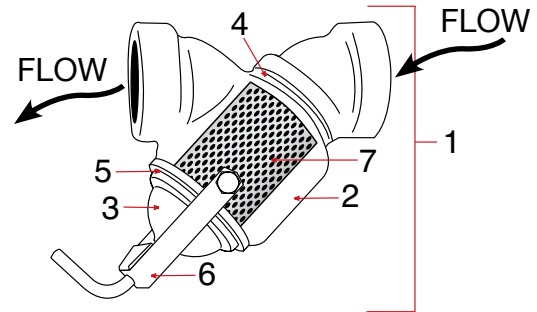
3" Y-STRAINERS			
PART NO	DESCRIPTION	PSI	QTY
LSM300-04	3" x 3" Y Strainer w/4 Mesh Screen	75	2/Box
LSM300-08	3" x 3" Y Strainer w/8 Mesh Screen	75	2/Box
LSM300-12	3" x 3" Y Strainer w/12 Mesh Screen	75	2/Box
LSM300-20	3" x 3" Y Strainer w/20 Mesh Screen	75	2/Box
LSM300-50	3" x 3" Y Strainer w/50 Mesh Screen	75	2/Box

3" SS Y-STRAINERS			
PART NO	DESCRIPTION		QTY
LSS300-BC	3" SS Body, Cap & Gaskets		1
LSS300-B	3" SS Body		1
LSS300-C	3" SS Cap		1
LSS300-S	EPDM Screen Seal		2
LSS300-SV	FKM (viton type) Screen Seal		2
LSS300-G	EPDM Cap Gasket		1
LSS300-GV	FKM (viton type) Cap Gasket		1

**\*WARNING: 3" Polypropylene "Y" Strainer to be used on suction side or non-pressure side in all applications.**



NOTE: Screens Sold Separately. See chart below.



REPLACEMENT PARTS LSM300			
ITEM	PART NO	DESCRIPTION	QTY
1	MLS300B1	3" Body	1
2	MLS300CAP	3" Cap	1
3	LS304	4 Mesh Screen	1
3	LS308	8 Mesh Screen	1
3	LS312	12 Mesh Screen	1
3	LS320	20 Mesh Screen	1
3	LS350	50 Mesh Screen	1
4	13777	3/4" Plug	1
5	13778	O-Ring	1
6	MLS300G	EPDM Cap Gasket	1
6	MLS300GV	FKM (viton type) Cap Gasket	1
7	MLS300ECG	EPDM End Cap Gasket	1
7	MLS300ECGV	FKM (viton type) Cap Gasket	1
8	LS300EC	End Cap Only (Plug Sold Separately)	1

REPLACEMENT PARTS LSS300			
ITEM	PART NO	DESCRIPTION	QTY
1	LSS300-BC	3" SS Body, Cap & Gaskets	1
2	LSS300-B	3" SS Body	1
3	LSS300-C	3" SS Cap	1
4	LSS300-S	EPDM Screen Seal	2
4	LSS300-SV	FKM (viton type) Screen Seal	2
5	LSS300-G	EPDM Cap Gasket	1
5	LSS300-GV	FKM (viton type) Cap Gasket	1
6	LSS300-H	Handle/Clamp Assembly	1
7	LSS306	6 Mesh SS Screen	1
7	LSS308	8 Mesh SS Screen	1
7	LSS312	12 Mesh SS Screen	1
7	LSS320	20 Mesh SS Screen	1
7	LSS330	30 Mesh SS Screen	1
7	LSS350	50 Mesh SS Screen	1

# Self-Priming Centrifugal Pumps

## 1½" & 2" Poly Pumps: Pages 98-109

Includes:  
 Gas Engine Pumps  
 Pump Only/Bearing Pedestal  
 Wet Seal w/gas engines  
 Manifold  
 Electric Motor Driven  
 Hydraulic Motor Driven



## 3" Cast Iron 333 Series Pumps: Pages 140-141

Includes:  
 Gas Engine Pumps  
 Pump Only/Bearing Pedestal  
 Electric Motor Driven



## 3" Poly Pumps: Pages 110-115

Includes:  
 Gas Engine Pumps  
 Pump Only/Bearing Pedestal  
 Wet Seal w/gas engines  
 Hydraulic Motor Driven  
 Manifold



## 3" CI Manifold Wet Seal M332 Series Pumps: Pages 142-145

Includes:  
 Gas Engine Pumps  
 Pump Only/Bearing Pedestal  
 Electric Motor Driven  
 Hydraulic Motor Driven



## 1½"-2" Cast Iron Pumps: Pages 116-125

Includes:  
 Gas Engine Pumps  
 Pump Only/Bearing Pedestal  
 Wet Seal  
 Electric Motor Driven  
 Hydraulic Motor Driven



## 4" Cast Iron 444 Series Pumps: Pages 146-147

Includes:  
 Gas Engine Pumps  
 Pump Only/Bearing Pedestal Pumps



## 2" Cast Iron 222 Series Pumps: Pages 126-133

Includes:  
 Gas Engine Pumps  
 Pump Only  
 Bearing Pedestal Pumps  
 Hydraulic Motor Driven  
 Manifold



## 2" & 3" SS Pumps: Pages 148-157

Includes:  
 Gas Engine Pumps  
 Pump Only/Bearing Pedestal.  
 Electric Motor Driven  
 Hydraulic Motor Driven



## 3" Cast Iron Pumps: Pages 134-139

Includes:  
 Gas Engine Pumps  
 Pump Only/Bearing Pedestal  
 Wet Seal  
 Hydraulic Motor Driven



**For Engine Warranty Service Contact:**

Briggs and Stratton® (414) 259-5262 or  
[www.briggsandstratton.com](http://www.briggsandstratton.com)



Honda® (800) 426-7701 or [www.honda.com](http://www.honda.com)





## FEATURES

- Made of steel tube construction for stability.
- Powder coated finish for durability.
- Fits all 2" polypropylene pumps.
- Unassembled



2" PUMP ROLL CAGE		
PART NO	DESCRIPTION	QTY
PRC200	Pump Roll Cage fits all 2" Poly Pumps - Unassembled	1

# 1½" & 2" Polypropylene Pumps w/Gas Engines

## PUMP FEATURES

- Precision molded construction.
- Lightweight.
- Corrosion resistant.
- Superior design.
- Low maintenance.
- EPDM Standard, FKM (viton type) available.



## 1½" & 2" POLY BEARING PEDESTAL

PART NO	DESCRIPTION	HP	QTY
150PB	1½" Poly Bearing Pedestal w/ ¾" Shaft & 3 Vane Impeller	N/A	1
200PB	2" Poly Bearing Pedestal w/ ¾" Shaft & 3 Vane Impeller	N/A	1
200PB-V	2" Poly Bearing Pedestal w/ ¾" Shaft & 3 Vane Impeller w/ FKM (viton type) & 316 SS Seal	N/A	1
205PB	2" Poly Bearing Pedestal w/ ¾" Shaft & 5 Vane Impeller	N/A	1
205PB-V	2" Poly Bearing Pedestal w/ ¾" Shaft & 5 Vane Impeller w/ FKM (viton type) & 316 SS Seal	N/A	1

## 2" POLY PUMPS W/GAS ENGINES

PART NO	DESCRIPTION	HP	QTY
200PH-5	2" Poly Pump w/5.5 HP Honda® Engine	5.5	1
200PH-5E	2" Poly Pump w/5.5 HP Honda® Engine w/Electric Start	5.5	1
200PH-5V	2" Poly Pump w/5.5 HP Honda® Engine w/FKM (viton type) & 316 SS Seal	5.5	1
200PH6	2" Poly Pump w/6.5 HP Honda® Engine	6.5	1
200P6PRO	2" Poly Pump w/6.5 HP Briggs & Stratton® Engine Pro Series	6.5	1
200P6PROE	2" Poly Pump w/6.5 HP Briggs & Stratton® Engine Pro Series w/Electric Start	6.5	1
200P6PROV	2" Poly Pump w/6.5 HP Briggs & Stratton® Engine Pro Series w/FKM (viton type) & 316 SS Seal	6.5	1

## 1½" & 2" POLY PUMP ONLY

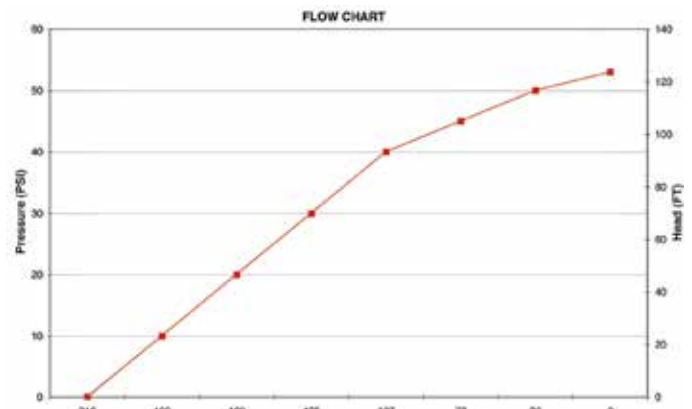
PART NO	DESCRIPTION	HP	QTY
150PO	1½" Poly Pump Only* w/ 3 Vane Impeller	N/A	1
200PO	2" Poly Pump Only* w/ 3 Vane Impeller	N/A	1
200PO-V	2" Poly Pump Only* w/ 3 Vane Impeller w/FKM (viton type) & 316 SS Seal	N/A	1
205PO	2" Poly Pump Only* w/ 5 Vane Impeller	N/A	1
205PO-V	2" Poly Pump Only* w/ 5 Vane Impeller w/FKM (viton type) & 316 SS Seal	N/A	1

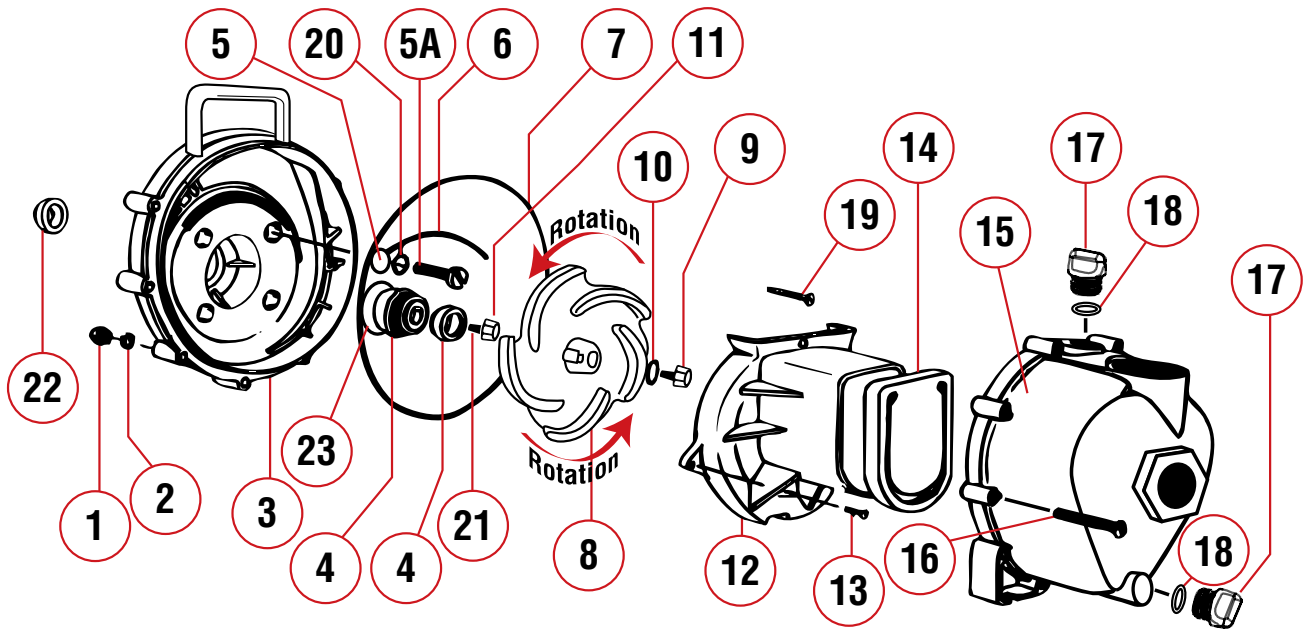
\*Requires ¾" shaft on motor.

**CAUTION-WARNING:** Please do not run pump dry, restrict or reduce port sizes, or dead head pump. This could cause component failure to pump.

**DO NOT USE WITH FLAMMABLE LIQUIDS.**

**NOTE:** Engine warranty service available at authorized Briggs & Stratton and Honda dealers.





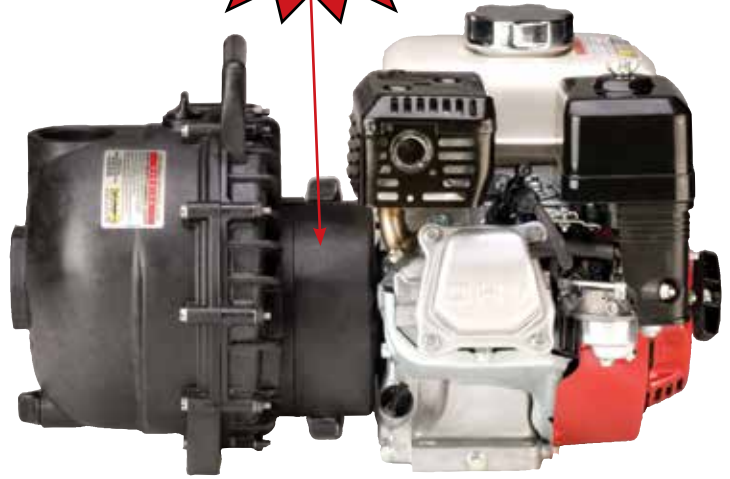
REPLACEMENT PARTS 2" POLY PUMPS			
ITEM	PART NO	DESCRIPTION	QTY
1	V07019	SS Body Nuts	10
2	V07018	SS Lock Washers	10
3	12703A	Poly Pump Rear Bracket	1
4	12713	Seal Assembly	1
5	12717	O-Ring for Screw Head	4
5A	12715A	SS Bracket Screws	4
6	12754	O-Ring Segment	1
7	12719A	Body O-Ring	1
8	12772	5 Vane Impeller	1
9	12765A	SS Impeller Bolt	1
10	12774VA	Impeller Bolt Gasket	1
11	12775A	Impeller Hex Nut	1
12	12702A	Poly Pump Volute	1
13	12725	SS Volute Screws	2
14	12705	Poly Pump Check Valve	1
15	12712A	Body Assembly	1
16	12720	SS Body Screws	10
17	12777	½" Plug	2
18	UV15163	Prime/Drain Plug O-Ring	2
19	12900	SS Upper Volute Screw	1
20	12901	SS Rear Bracket Washer	4
21	12902A	Impeller Key	1
22	12716	Poly Pump Slinger	1
23	12710	O-Ring for Seal Assembly	1
N/S	12882A	Bearing Pedestal	1
N/S	12099	7/16"-14 x 1.25" HHCS	1
KIT	12000A	5 Vane Impeller Repair Kit (Items 4-8, 10, 14, 18, 22, 23 & 12099)	1
KIT	12000AV	FKM(viton type) Impeller Repair Kit (Items 4-8, 10, 14, 18, 22, 23 & 12099)	1
KIT	12999A	Pump Seal/O-Ring Kit (Items 4-7, 10, 18, 22, 23 & 12099)	1
KIT	12999AV	FKM(viton type) Pump Seal/O-Ring Kit (Items 4-7, 10, 18, 22, 23 & 12099)	1

KITS 2" POLY PUMPS		
PART NO	REPAIR KIT NO	SEAL KIT NO
200PH-5	12000A	12999A
200PH-5E	12000A	12999A
200PH-5V	12000AV	12999AV
200PH6	12000A	12999A
200P6PRO	12000A	12999A
200P6PROV	12000AV	12999AV
200PB	12003A	12999A
200PB-V	12003AV	12999AV
205PB	12000A	12999A
205PB-V	12000AV	12999AV
200PO	12003A	12999A
200PO-V	12003AV	12999AV
205PO	12000A	12999A
205PO-V	12000AV	12999AV

# 2" Polypropylene Wet Seal Pumps

## FEATURES

- New Compact Design!
- Run Dry Capability!
- Double seal contained in ethylene glycol reservoir. Carbon Ceramic seal faces with stainless steel cup & spring with EPDM rubber.
- Pump end separated from engine.
- Large weep holes between pump end and engine.
- "V" shaped for quicker priming.



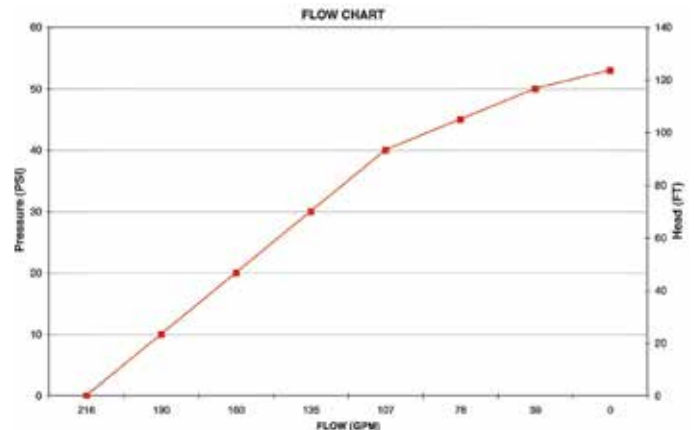
2" POLY WET SEAL PUMPS W/GAS ENGINES			
PART NO	DESCRIPTION	HP	QTY
200PH5W	2" Poly Wet Seal Pump w/5.5 HP Honda® Engine	5.5	1
200P6PROW	2" Poly Wet Seal Pump w/6.5 HP Briggs & Stratton® Engine Pro Series	6.5	1

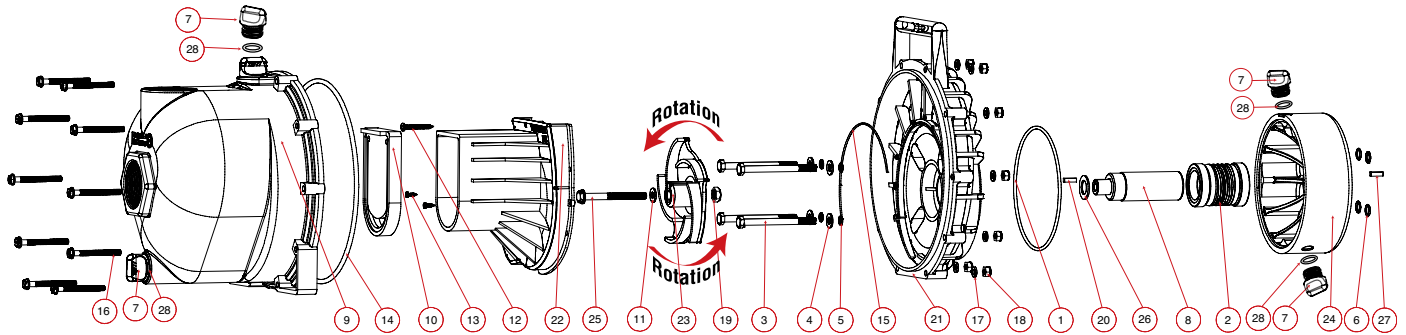
2" POLY WET SEAL BEARING PEDESTAL			
PART NO	DESCRIPTION	HP	QTY
200PBW	2" Poly Wet Seal Bearing Pedestal w/ 3/4" Shaft & 5 Vane Impeller	N/A	1



Bearing Pedestal  
3/4" shaft for electric motors

**DO NOT USE WITH FLAMMABLE LIQUIDS.**





REPLACEMENT PARTS 2" POLY WET SEAL PUMPS			
ITEM	PART NO	DESCRIPTION	QTY
1	13719	O-Ring	1
2	15035E	EPDM Mechanical Seal Assembly	1
3	13034	5/16" -24 x 3 3/4" HHCS	4
4	12901	5/16" Flat Washer	4
5	12717	O-Ring for Bracket Screw	4
6	12709	O-Ring	4
7	12777	1/2" Plug	4
8	12155	Adapter Shaft	1
9	12712A	Body Assembly	1
10	12705	Check Valve	1
11	12774VA	Impeller Bolt Gasket	1
12	12900	#10 x 1 1/2" PPH SMS	1
13	12725	#6 x 1/2" PPH SMS	2
14	12719A	Body O-Ring	1

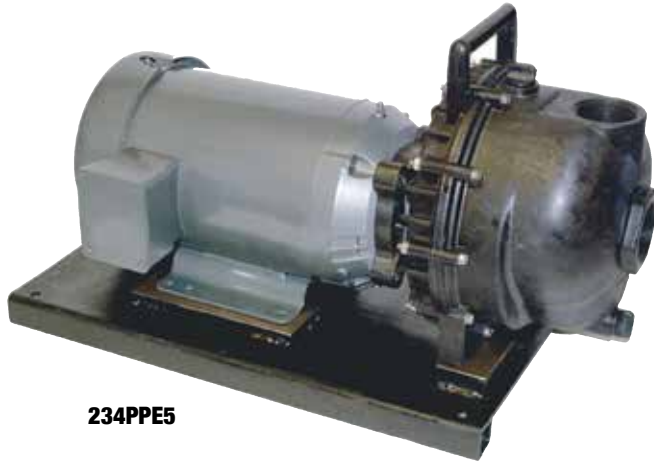
REPLACEMENT PARTS 2" POLY WET SEAL PUMPS			
ITEM	PART NO	DESCRIPTION	QTY
15	12754	O-Ring Segment	1
16	12720	1/4" - 20 x 2 1/2" SI Ind HWHS	10
17	V07018	1/4" Lock Washer	10
18	V07019	1/4" - 20 Hex Nut	10
19	12775A	7/16" - 14 Hex Nut	1
20	12902A	3/16" SQ. x 5/8" Key	2
21	12707W	Wet Seal Rear Bracket	1
22	12702A	Volute	1
23	12772	Impeller	1
24	12202W	Wet Seal Reservoir	1
25	12766	5/16" - 24 x 3 1/4" HFS	1
26	CV10175	Gasket	1
27	12902A	1/4" SQ. 3/4" Key Stock	1
28	UV15163	O-Ring for Drain Plug	4



# 2" Polypropylene Pumps with Electric Motors

## FEATURES

- Additional drive unit protection with added 1" spacer for ultimate protection.
- Special non-metallic mechanical seal designed for better chemical resistance.
- All elastomers are FKM (viton type).
- All internal fasteners are PTFE coated stainless steel.
- The Banjo "Super Slinger" included for even more drive unit protection (not shown).



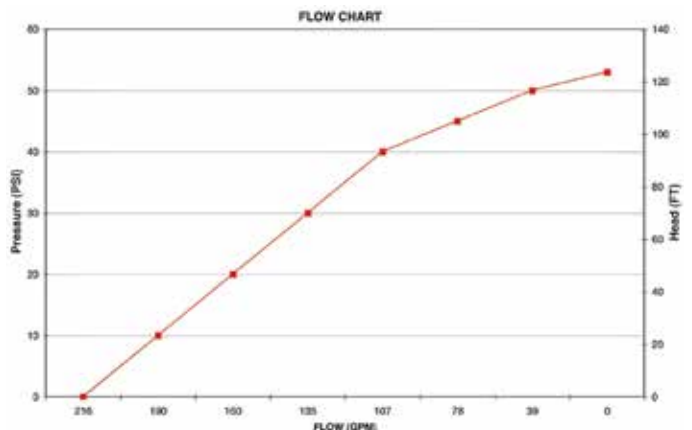
**234PPE5**

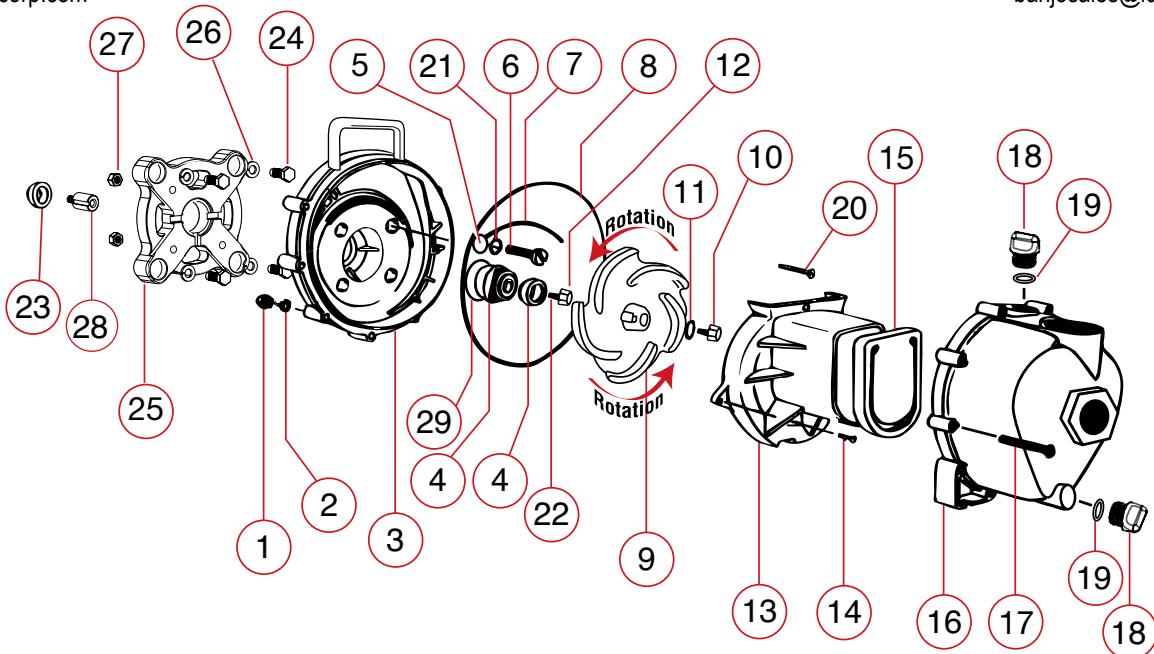
2" POLY PUMPS W/ELECTRIC MOTORS			
PART NO	DESCRIPTION	HP	QTY
234PPE5	2" Poly Pump w/5.0 HP Three Phase Electric Motor w/ EPDM Elastomers	5.0	1
234PPE5V	2" Poly Pump w/5.0 HP Three Phase Electric Motor w/ FKM (viton type)Elastomers	5.0	1
234PPE51	2" Poly Pump w/5.0 HP Single Phase Electric Motor w/ EPDM Elastomers	5.0	1
234PPE51V	2" Poly Pump w/5.0 HP Single Phase Electric Motor w/ FKM (viton type)Elastomers	5.0	1

1½" & 2" POLY PUMPS FOR 56C FACED MOTORS			
PART NO	DESCRIPTION	HP	QTY
200PEO	2" Poly Pump w/56C Face Adapter	N/A	1

**CAUTION-WARNING:** Please do not run pump dry, restrict or reduce port sizes, or dead head pump. This could cause component failure to pump.

**DO NOT USE WITH FLAMMABLE LIQUIDS.**





**REPLACEMENT PARTS 2" POLY PUMPS W/ELECTRIC MOTORS**

ITEM	PART NO	DESCRIPTION	QTY
1	V07019	SS Body Nuts	10
2	V07018	SS Lock Washers	10
3	12703A	Poly Pump Rear Bracket	1
4	12713	Seal Assembly EPDM	1
4	12713V	Seal Assembly FKM (viton type)	1
5	12717	Screw Heads O-Ring EPDM	4
5	12717V	Screw Heads O-Ring FKM (viton type)	4
6	BF107	SS Bracket Screws	4
7	12754	O-Ring Segment EPDM	1
7	12754V	O-Ring Segment FKM (viton type)	1
8	12719A	Body O-Ring EPDM	1
8	12719AV	Body O-Ring FKM (viton type)	1
9	12772	5 Vane Impeller	1
10	12765A	SS Impeller Bolt	1
11	12774VA	Impeller Bolt Gasket	1
12	12775A	Impeller Hex Nut	1
13	12702A	Poly Pump Volute	1
14	12725	SS Volute Screws	2
15	12705	Poly Pump Check Valve EPDM	1
15	12705V	Poly Pump Check Valve FKM (viton type)	1
16	12712A	Body Assembly EPDM	1
16	12712AV	Body Assembly FKM (viton type)	1
17	12720	SS Body Screws	10
18	12777	1/2" Plug	2
19	UV15163V	Prime/Drain Plug O-Ring	2
20	12900	SS Upper Volute Screw	1
21	12901	SS Rear Bracket Washer	4
22	12902A	Impeller Key	1
23	12710V	O-Ring for Seal Assembly	1
24	17704	3/8"-16 x 1.25" HHCS	8
25	12046	56C Frame Adapter	1
26	V20018	Lock Washer for 56C Frame Adapter	8
27	V10119	Nut for 56C Frame Adapter	4
N/S	17701	Base Plate	1
N/S	12099	7/16"-14 x 1.25" HHCS	1
N/S	12052	56C Frame Adapter Shaft	1
N/S	12756	56C Frame Adapter Kit (Items 6, 22, 24-27, 12052, 12053, 15751, 15752)	1

**KITS 1 1/2" & 2" POLY PUMPS**

PART NO	REPAIR KIT NO	SEAL KIT NO	FRAME ADAPTER KIT
234PPE5	12000A	12999A	12756
234PPE5V	12000AV	12999AV	12756
234PPE51	12000A	12999A	12756
234PPE51V	12000AV	12999AV	12756
200PEO	12003A	12999A	12756

**REPLACEMENT PARTS 1 1/2" & 2" POLY PUMPS**

ITEM	PART NO	DESCRIPTION	QTY
KIT	12756	Frame Adapter Kit (Items 6,22,25,26,17704,12502,12503,15751,15752,17029)	1
KIT	12000A	5 Vane Impeller Repair Kit (Items 4-8, 10, 14, 18, 23 & 12099)	1
KIT	12000AV	FKM(viton type) Impeller Repair Kit (Items 4-8, 10, 14, 18, 22, 23 & 12099)	1
KIT	12999A	Pump Seal/O-Ring Kit (Items 4-7, 10, 18, 23 & 12099)	1
KIT	12999AV	FKM(viton type) Pump Seal/O-Ring Kit (Items 4-7, 10, 18, 23 & 12099)	1

# 2" Polypropylene Hydraulic Pumps

## PUMP FEATURES

- Precision molded construction.
- Lightweight.
- Corrosion resistant.
- Superior design.
- Low maintenance.

## GRESEN® MGG2 HYDRAULIC MOTOR

- Hydraulic fluid capacity  
Minimum 6 Gallons / Maximum 10 Gallons.
- 12 H.P. Motor.
- Open or closed system.
- 3600 R.P.M.

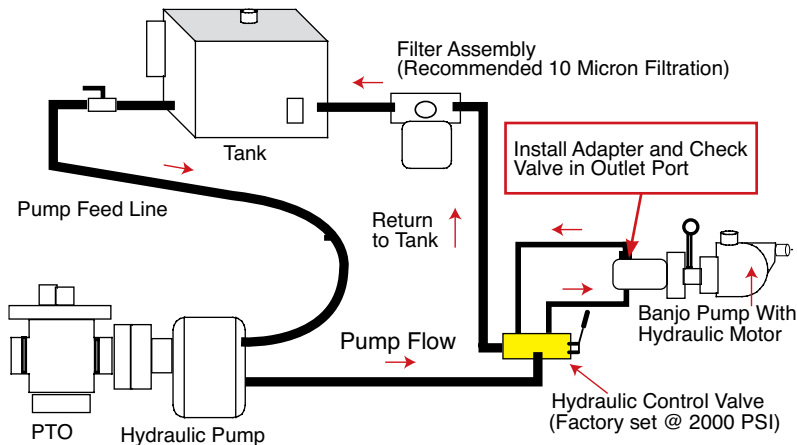
**CAUTION-WARNING:** Please do not run pump dry, restrict or reduce port sizes, or dead head pump. This could cause component failure to pump.

**DO NOT USE WITH FLAMMABLE LIQUIDS.**



2" POLY PUMPS W/HYDRAULIC MOTORS			
PART NO	DESCRIPTION	HP	QTY
200PHA	2" Poly Pump without Hydraulic Motor	N/A	1
200PHY	2" Poly Pump w/12 HP Hydraulic Motor	12.0	1
200PHYW	2" Poly Wet Seal Pump w/12 HP Hydraulic Motor	12.0	1

## SPOOL VALVE ASSEMBLY DIAGRAM



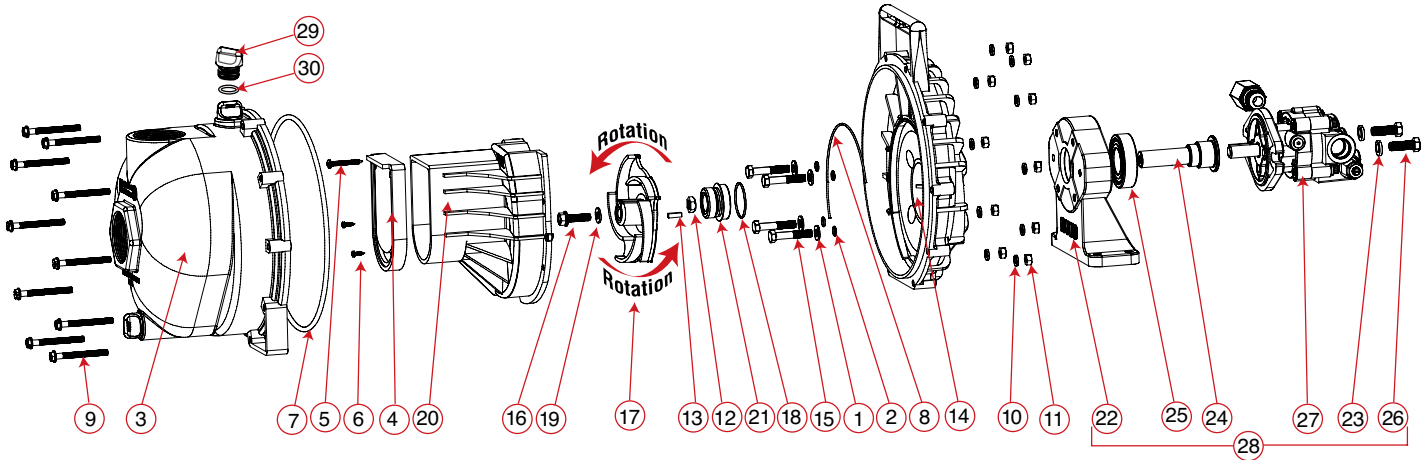
**Recommendation:**  
We recommend using the motor spool control valve or a suitable equivalent. The lack of such a valve in this circuit may cause failure to the hydraulic motor.



## HYDRAULIC MOTOR SPOOL VALVE

PART NO	DESCRIPTION	HP	QTY
HSV1000	Hydraulic Motor Spool Valve	N/A	1



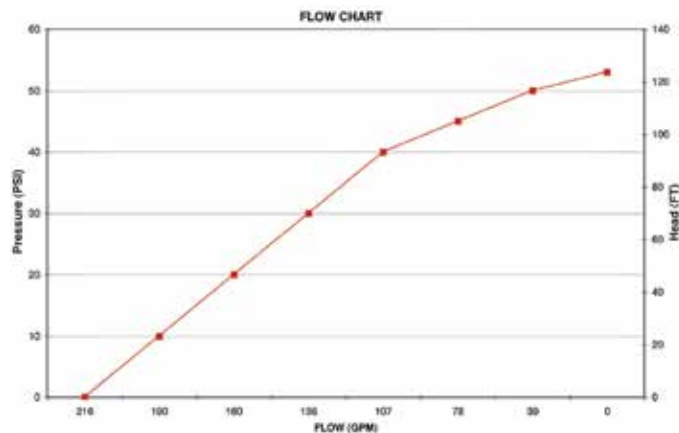


HYDRAULIC MOTOR DATA	
U.S. Gallons/Rev.	0.0025
Cubic Inches/Rev.	0.580
Liters/Rev.	0.0097
Max Hydraulic Pressure	2000 PSI
Min Hydraulic Pressure	200 PSI
Inlet Port	SAE 10 (7/8-14 UNF-2B)
Outlet Port	SAE 10 (7/8-14 UNF-2B)
Minimum GPM Required	6 GPM 2400 RPM
Maximum GPM Required	10 GPM 4000 RPM
Ideal GPM Required	9 GPM 3600 RPM
CONNECTION INFORMATION	
Inlet	"A" Port
Outlet	"B" Port
Supplied check valve is to ensure proper rotation of the Banjo pump. Place check valve in outlet port (marked "B") for proper right hand rotation.	
SPOOL VALVE INFORMATION	
Required Outlet Flow	Min 6 GPM / Max 10 GPM
Required System Pressure	Min 600 PSI / Max 3000 PSI

REPLACEMENT PARTS 2" POLY PUMPS W/ HYDRAULIC ADAPTER			
ITEM	PART NO	DESCRIPTION	QTY
1	12901	SS Rear Bracket Washer	4
2	12717	O-Ring for Screw Heads	4
2	12717V	FKM (viton type) O-Ring for Screw Heads	4
3	12712A	Body Assembly	1
4	12705	Check Valve	1
4	12705V	FKM (viton type) Poly Pump Check Valve	1
5	12900	SS Upper Volute Screw	4
6	12725	SS Volute Screws	2
7	12719A	Body O-Ring	1
8	12754	O-Ring Segment	1
8	12754V	FKM (viton type) O-Ring Segment	1
9	12720	SS Body Screws	10
10	V07018	SS Lock Washers	10
11	V07019	SS Body Nuts	10
12	12775A	Impeller Hex Nut	1
13	12902A	Impeller Key	1
14	12703A	Poly Pump Rear Bracket	1
15	12715A	5/16"-24 x 1.75" HHCS	4
16	12765A	SS Impeller Bolt	1
17	12772	5 Vane Impeller	1
18	12710	O-Ring for Seal Assembly	1
18	12710V	FKM (viton type) O-Ring for Seal Assembly	1
19	12774VA	Impeller Bolt Gasket	1
20	12702A	Poly Pump Volute	1
21	12713	Mechanical Seal Assembly	1
22	12049E	Hydraulic Pedestal Housing	1
23	V20018	3/8" Lock Washer	2
24	12055E	Adapter Shaft	1
25	17056E	Bearing	1
26	18010SS	3/8"-16 x 1.25" HHCS	2
27	HY1013	Hydraulic Motor	1
28	12600B	Complete Hydraulic Assembly	1
29	12777	1/2" Plug	2
30	UV15163	O-Ring for Plug	2
N/S	HY1003	Hydraulic Motor Seal Kit	2

KITS 2" POLY PUMPS					
PART NO	EPDM REPAIR KIT NO	FKM REPAIR KIT NO	EPDM SEAL KIT NO	FKM SEAL KIT NO	HYDRAULIC MOTOR SEAL KIT
200PHA	12000A	12000AV	12999A	12999AV	N/A
200PHY	12000A	12000AV	12999A	12999AV	HY1003

**NOTE:** Please see our website for 200PHYW replacement parts.



REPLACEMENT PARTS 2" POLY PUMPS			
ITEM	PART NO	DESCRIPTION	QTY
KIT	12000A	5 Vane Impeller Repair Kit (Items 2,4,7,8,17,19,21,30, 12099)	1
KIT	12000AV	FKM(viton type) Impeller Repair Kit (Items 2,4,7,8,17,19,21,30, 12099)	1
KIT	12999A	Pump Seal/O-Ring Kit (Items 2,4,7,8,17,19,21,30, 12099)	1
KIT	12999AV	FKM(viton type) Pump Seal/O-Ring Kit (Items 4-7,8,10,18, 23 & 12099)	1

# 2" Polypropylene Manifold Pumps with Gas Engines

## FEATURES

- Precision molded construction.
- Lightweight.
- Corrosion resistant.
- Superior design.
- Low maintenance.
- EPDM Standard, FKM (viton type) available.

**CAUTION-WARNING:** Please do not run pump dry, restrict or reduce port sizes, or dead head pump. This could cause component failure to pump.

**DO NOT USE WITH FLAMMABLE LIQUIDS.**

**NOTE:** Engine warranty service available at authorized Briggs & Stratton and Honda dealers.



## 2" POLY MANIFOLD BEARING PEDESTALS

PART NO	DESCRIPTION	HP	QTY
M220PB	2" Poly Manifold Bearing Pedestal w/ 3/4" Shaft & 4 Vane Impeller	N/A	1

## 2" POLY MANIFOLD PUMP ONLYS

PART NO	DESCRIPTION	HP	QTY
M220PO	2" Poly Manifold Pump Only w/ 3/4" Shaft & 4 Vane Impeller	N/A	1

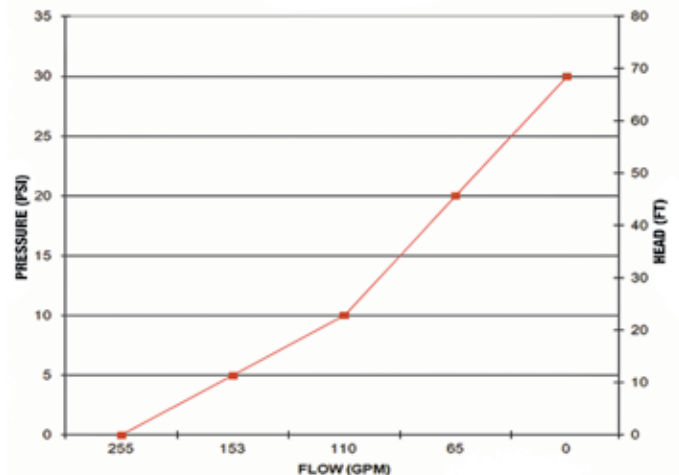
**NOTE:** We recommend using a minimum 5 HP engine.

See page 43-47 for fittings and clamps.

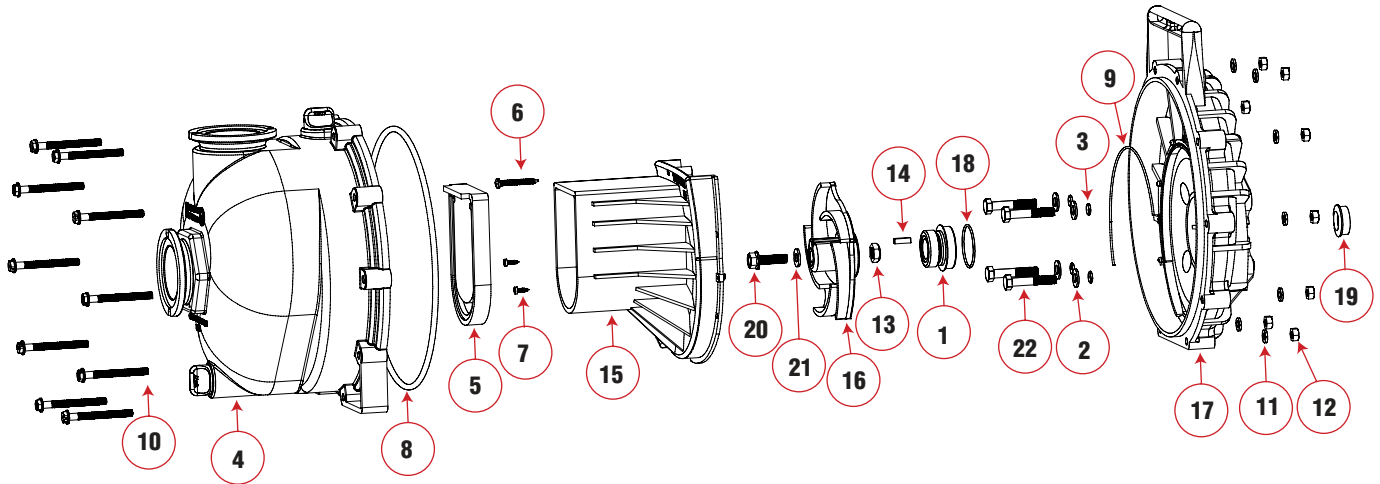
## 2" POLY MANIFOLD PUMPS W/GAS ENGINES

PART NO	DESCRIPTION	HP	QTY
M220PH5	2" Poly Manifold Pump w/5.5 HP Honda® Engine	5.5	1
M220PH5E	2" Poly Manifold Pump w/5.5 HP Honda® Engine w/Electric Start	5.5	1
M220PH6	2" FP Manifold Pump w/6.5 HP Honda® Engine	6.5	1
M220P6PRO	2" FP Manifold Pump w/6.5 HP Briggs & Stratton® Pro Series Engine	6.5	1
M220P6PROE	2" FP Manifold Pump w/6.5 HP Briggs & Stratton® Pro Series Engine w/Electric Start	6.5	1

FLOW CHART







REPLACEMENT PARTS 2" POLY MANIFOLD PUMPS			
ITEM	PART NO	DESCRIPTION	QTY
1	12713	Mechanical Seal Assembly	1
2	12901	SS Rear Bracket Washer	4
3	12717	O-Ring for Screw Head	4
4	M12712	2" FP Manifold Pump Body Assembly	1
5	12705	Poly Pump Check Valve	1
6	12900	SS Upper Volute Screw	1
7	12725	SS Volute Screws	2
8	12719A	Body O-Ring	1
9	12754	O-Ring Segment	1
10	12720	SS Body Screws	10
11	V07018	SS Lock Washers	10

REPLACEMENT PARTS 2" POLY MANIFOLD PUMPS			
ITEM	PART NO	DESCRIPTION	QTY
12	V07019	SS Body Nuts	10
13	12775A	Impeller Hex Nut	1
14	12902A	Impeller Key	1
15	12702A	Poly Pump Volute	1
16	12772	5 Vane Impeller	1
17	12703A	Poly Pump Rear Bracket	1
18	12710	O-Ring for Seal Assembly	1
19	12716	Poly Pump Slinger	1
20	12765A	SS Impeller Bolt	1
21	12774VA	Impeller Bolt Gasket	1
22	12715A	SS Bracket Screws	4

KITS 2" MANIFOLD POLY PUMPS				
PART NO	EPDM REPAIR KIT NO	FKM REPAIR KIT NO	EPDM SEAL KIT NO	FKM SEAL KIT NO
M220PH5	12000A	12000AV	12999A	12999AV
M220PH5E	12000A	12000AV	12999A	12999AV
M220PH6	12000A	12000AV	12999A	12999AV
M220P6PRO	12000A	12000AV	12999A	12999AV
M220P6PROE	12000A	12000AV	12999A	12999AV
M220PB	12000A	12000AV	12999A	12999AV
M220PO	12000A	12000AV	12999A	12999AV

REPLACEMENT PARTS 2" MANIFOLD POLY PUMPS			
ITEM	PART NO	DESCRIPTION	QTY
KIT	12000A	5 Vane Impeller Repair Kit (Items 4-8, 10, 14, 18, 22, 23 & 12099)	1
KIT	12000AV	FKM(viton type) Impeller Repair Kit (Items 4-8, 10, 14, 18, 22, 23 & 12099)	1
KIT	12999A	Pump Seal/O-Ring Kit (Items 4-7, 10, 18, 22, 23 & 12099)	1
KIT	12999AV	FKM(viton type) Pump Seal/O-Ring Kit (Items 4-7, 10, 18, 22, 23 & 12099)	1

# 2" Polypropylene Manifold Wet Seal Pumps with Gas Engines

## FEATURES

- New Compact Design!
- Run Dry Capability!
- Double seal contained in ethylene glycol reservoir. Carbon Ceramic seal faces with stainless steel cup & spring with EPDM rubber.
- Pump end separated from engine.
- Large weep holes between pump end and engine.
- "V" shaped for quicker priming.

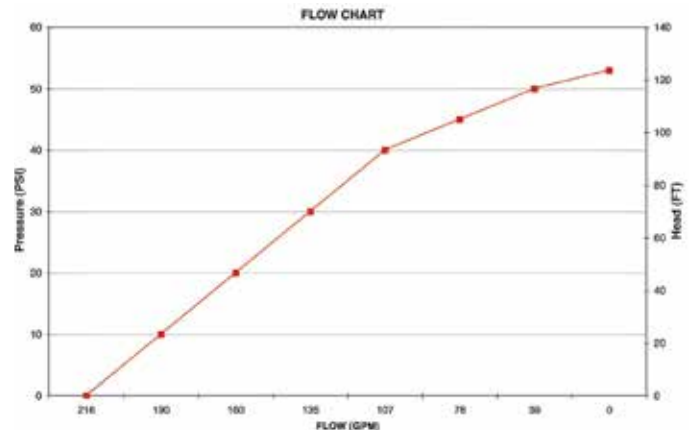


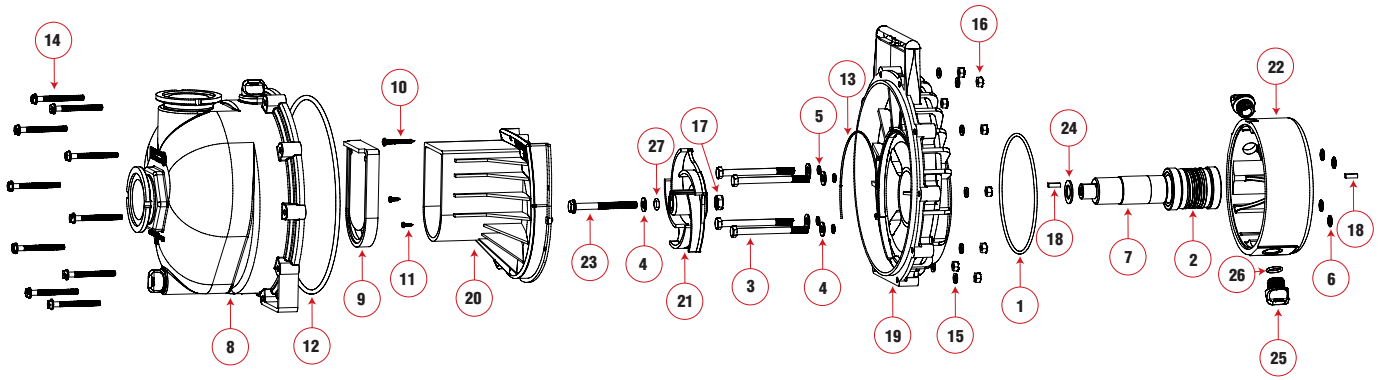
2" POLY MANIFOLD WET SEAL PUMPS W/GAS ENGINES			
PART NO	DESCRIPTION	HP	QTY
M220PH5W	2" Poly Manifold Wet Seal Pump w/5.5 HP Honda® Engine	5.5	1
M220PH5EW	2" Poly Manifold Wet Seal Pump w/5.5 HP Honda® Engine w/Electric Start	5.5	1
M220PH6W	2" Poly Manifold Wet Seal Pump w/6.5 HP Honda® Engine	6.5	1
M220P6PROW	2" Poly Manifold Wet Seal Pump w/6.5 HP Briggs & Stratton® Engine Pro Series	6.5	1
M220P6PROEW	2" Poly Manifold Wet Seal Pump w/6.5 HP Briggs & Stratton® Engine Pro Series w/Electric Start	6.5	1



2" POLY MANIFOLD WET SEAL BEARING PEDESTAL			
PART NO	DESCRIPTION	HP	QTY
M220PBW	2" Poly Manifold Wet Seal Bearing Pedestal w/ 3/4" Shaft & 5 Vane Impeller	N/A	1

**DO NOT USE WITH FLAMMABLE LIQUIDS.**





REPLACEMENT PARTS 2" POLY MANIFOLD WET SEAL PUMPS			
ITEM	PART NO	DESCRIPTION	QTY
1	13719	O-Ring	1
2	15035E	EPDM Mechanical Seal Assembly	1
3	13034	5/16" -24 x 3 1/2" HHCS	4
4	12901	SS Rear Bracket Washer	5
5	12717	O-Ring for Screw Head	4
6	12709	O-Ring	4
7	12155	Adapter Shaft	1
8	M12712	2" FP Manifold Pump Body Assembly	1
9	12705	Poly Pump Check Valve	1
10	12900	SS Upper Volute Screw	1
11	12725	SS Volute Screws	2
12	12719A	Body O-Ring	1
13	12754	O-Ring Segment	1

REPLACEMENT PARTS 2" POLY MANIFOLD WET SEAL PUMPS			
ITEM	PART NO	DESCRIPTION	QTY
14	12720	SS Body Screws	10
15	V07018	1/4" SS Lock Washer	10
16	V07019	1/4" SS Nut	10
17	12775A	Impeller Hex Nut	1
18	12902A	Impeller Key	1
19	12707W	Wet Seal Rear Bracket	1
20	12702A	Poly Pump Volute	1
21	12772	Impeller	1
22	12202W	Wet Seal Reservoir	1
23	12766	5/16" - 24 x 3 1/4" HFS	1
24	CV10175	Gasket	1
25	12777	1/2" Plug	2
26	UV15163	Prime/Drain Plug O-Ring	2
27	A203V	O-Ring	1

# 3" Polypropylene Pumps

## PUMP FEATURES

- High strength polypropylene.
- Corrosion resistant.
- Lightweight – portable.
- High performance impellers.
- EPDM Standard, FKM (viton type) available.

## APPLICATIONS

- Agricultural pump.
- Contractor pump.
- Emergency use: fires & floods.

**CAUTION-WARNING:** Please do not run pump dry, restrict or reduce port sizes, or dead head pump. This could cause component failure to pump.

**DO NOT USE WITH FLAMMABLE LIQUIDS.**

**NOTE:** Engine warranty service available at authorized Briggs & Stratton and Honda dealers.



3" POLY PUMPS W/GAS ENGINES				
PART NO	DESCRIPTION	HP	QTY	
300PH-6	3" Poly Pump w/6.5 HP Honda® Engine	6.5	1	
300P11PRO	3" Poly Pump w/11 HP Briggs & Stratton® Engine Pro Series w/Electric Start & Pull Rope	11	1	

3" POLY MANIFOLD PUMPS W/GAS ENGINES				
PART NO	DESCRIPTION	HP	QTY	
M300PH6	3" Poly Manifold Pump w/6.5 HP Honda® Engine	6.5	1	
M300P6PRO	3" Poly Manifold Pump w/6.5 HP Briggs & Stratton® Pro Series Engine	6.5	1	
M300P11PRO	3" Poly Manifold Pump w/11 HP Briggs & Stratton® Pro Series Engine	11	1	

3" POLY BEARING PEDESTAL				
PART NO	DESCRIPTION	HP	QTY	
300PB	3" Poly Bearing Pedestal w/ 3/4" Shaft & 4 Vane Impeller	N/A	1	

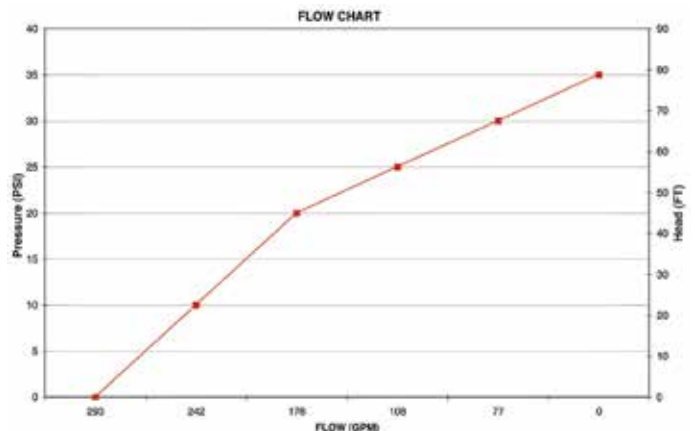
3" POLY MANIFOLD BEARING PEDESTAL				
PART NO	DESCRIPTION	HP	QTY	
M300PB	3" Poly Manifold Bearing Pedestal w/ 3/4" Shaft & 4 Vane Impeller	N/A	1	

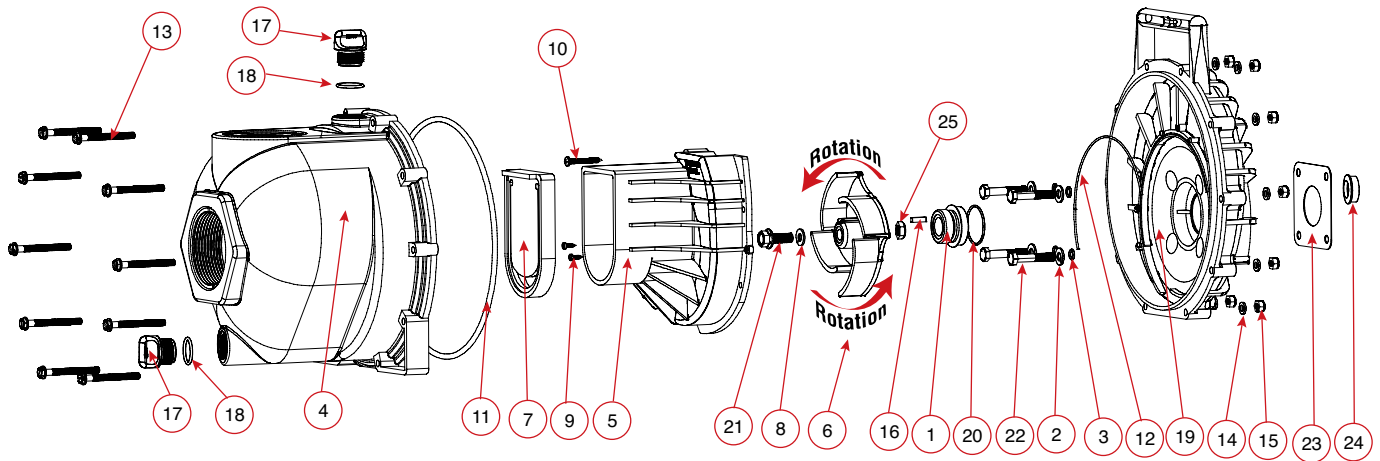
3" POLY PUMP ONLY				
PART NO	DESCRIPTION	HP	QTY	
300PO	3" Poly Pump Only w/ 3/4" Shaft & 4 Vane Impeller Unassembled	N/A	1	

3" POLY MANIFOLD PUMP ONLY				
PART NO	DESCRIPTION	HP	QTY	
M300PO	3" Poly Manifold Pump Only w/ 3/4" Shaft & 4 Vane Impeller Unassembled	N/A	1	



**PEDESTAL PUMP 300PB & PUMP ONLY 300PO**





REPLACEMENT PARTS 3" POLY PUMPS			
ITEM	PART NO	DESCRIPTION	QTY
1	12713	Seal Assembly	1
1	12713V	FKM (viton type) Seal Assembly w/316 SS Cup & Spring	1
2	12901	SS Rear Bracket Washer	4
3	12717	O-Ring for Screw Head	4
3	12717V	FKM (viton type) O-Ring for Screw Head	4
4	13712	Body Assembly	1
5	13702	Poly Pump Volute	1
6	13771	4 Vane Trimmed Impeller (300PH-6, 300PB & 300PO)	1
6	13772	4 Vane Impeller(300P11PRO)	1
7	12705	Check Valve	1
7	12705V	FKM (viton type) Pump Check Valve	1
8	12774VA	Impeller Bolt Gasket	1
9	12900	SS Upper Volute Screw	4
10	12725	SS Volute Screws	2
11	12719A	Body O-Ring	1
11	12719AV	FKM (viton type) Body O-Ring	8
12	12754	O-Ring Segment	1
12	12754V	FKM (viton type) O-Ring Segment	1
13	12720	SS Body Screws	10
14	V07018	SS Lock Washers	10
15	V07019	SS Body Nuts	10

REPLACEMENT PARTS 3" POLY PUMPS			
ITEM	PART NO	DESCRIPTION	QTY
16	12902A	Impeller Key	1
17	13777	3/4" Plug	2
18	13778	O-Ring	2
18	13778V	FKM (viton type) Prime/Drain Plug O-Ring	2
19	12703A	Poly Pump Rear Bracket	1
20	12710	O-Ring for Seal Assembly	1
20	12710V	FKM (viton type) O-Ring for Seal Assembly	1
21	12765A	SS Impeller Bolt 5/16 x 24 x 1.12 (300PH-6)	1
21	13765	SS Impeller Bolt 3/8 x 24 x 1.75 (300P11PRO)	1
22	12715A	SS Bracket Screws	4
23	15751	Rear Bracket Shim	1
24	12716	Poly Pump Slinger	1
25	12775A	Impeller Hex Nut	1
N/S	12882A	Bearing Pedestal	1
N/S	12099	7/16"-14 x 1.25" HHCS	1
N/S	13000	4 Vane Impeller Repair Kit (Items 1, 3, 6-8, 11, 12, 18, 20, 24 & 12099)	1
N/S	13000V	4 Vane Impeller FKM (viton type) Repair Kit (Items 1, 3, 6-8, 11, 12, 18, 20, 24 & 12099)	1
N/S	13999	Pump Seal/O-Ring Kit (Items 1, 3, 8, 11, 12, 18, 20, 24 & 12099)	1
N/S	13999V	FKM(viton type) Pump Seal/O-Ring Kit (Items 1, 3, 8, 11, 12, 18, 20, 24 & 12099)	1

KITS 3" POLY MANIFOLD PUMPS				
PART NO	EPDM REPAIR KIT NO	FKM REPAIR KIT NO	EPDM SEAL KIT NO	FKM SEAL KIT NO
300PH-6	13000	13000V	13999	13999V
300P11PRO	13000	13000V	13999	13999V
300PB	13000	13000V	13999	13999V
300PO	13000	13000V	13999	13999V
M300PH6	13000	13000V	13999	13999V
M300P6PRO	13000	13000V	13999	13999V
M300P11PRO	13000	13000V	13999	13999V
M300PB	13000	13000V	13999	13999V

# 3" Polypropylene Pumps with Hydraulic Motors

## HYDRAULIC MOTOR

- Hydraulic fluid capacity  
Minimum 6 gallons / Maximum 10 gallons.
- 12 H.P. Motor.
- Open or closed system.
- 3600 RPM.

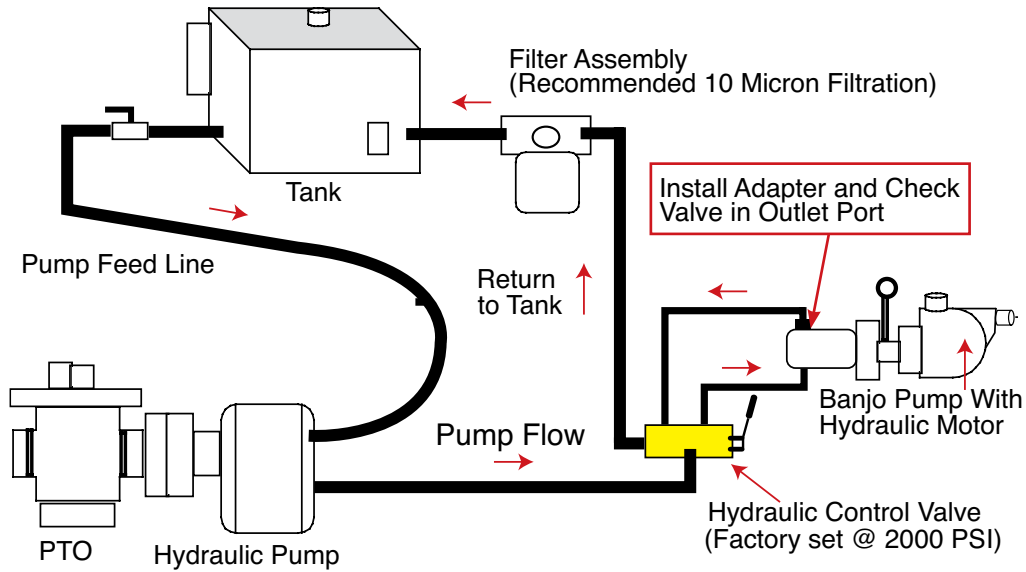
**CAUTION-WARNING:** Please do not run pump dry, restrict or reduce port sizes, or dead head pump. This could cause component failure to pump.

**DO NOT USE WITH FLAMMABLE LIQUIDS.**



3" POLY PUMPS W/HYDRAULIC MOTORS			
PART NO	DESCRIPTION	HP	QTY
300PHY	3" Poly Pump w/12 HP Hydraulic Motor	12	1
300PHYW	3" Poly Wet Seal Pump w/12 HP Hydraulic Motor	12	1

## SPOOL VALVE ASSEMBLY DIAGRAM



**Recommendation:**  
We recommend using the motor spool control valve or a suitable equivalent. The lack of such a valve in this circuit may cause failure to the hydraulic motor.

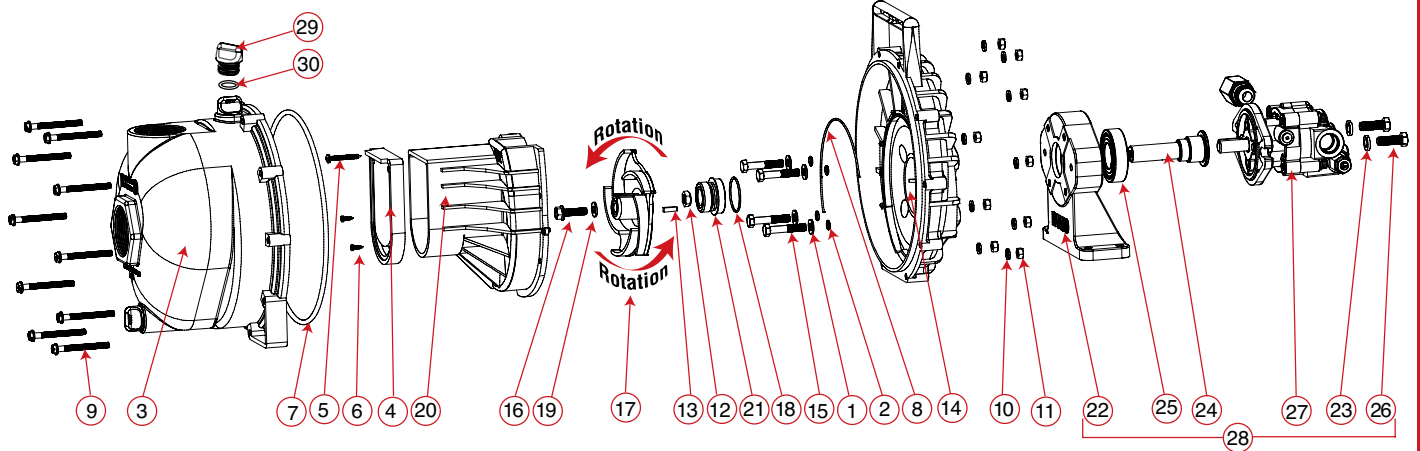


HYDRAULIC MOTOR SPOOL VALVE			
PART NO	DESCRIPTION	HP	QTY
HSV1000	Hydraulic Motor Spool Valve	N/A	1

PUMPS

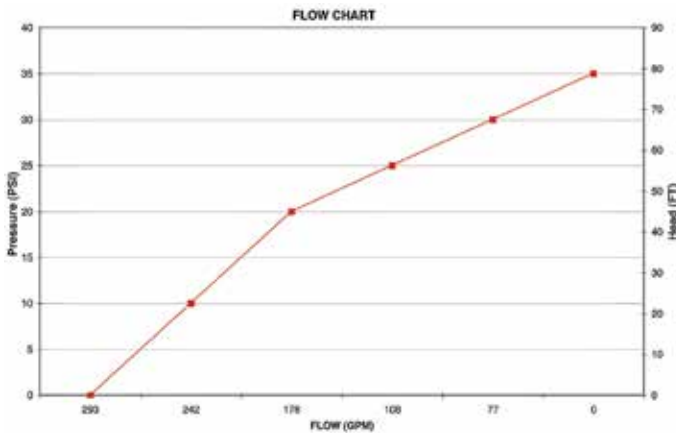






HYDRAULIC MOTOR DATA	
U.S. Gallons/Rev.	0.0025
Cubic Inches/Rev.	0.580
Liters/Rev.	0.0097
Max Hydraulic Pressure	2000 PSI
Min Hydraulic Pressure	200 PSI
Inlet Port	SAE 10 (7/8-14 UNF-2B)
Outlet Port	SAE 10 (7/8-14 UNF-2B)
Minimum GPM Required	6 GPM 2400 RPM
Maximum GPM Required	10 GPM 4000 RPM
Ideal GPM Required	9 GPM 3600 RPM
CONNECTION INFORMATION	
Inlet	"A" Port
Outlet	"B" Port
Supplied check valve is to ensure proper rotation of the Banjo pump. Place check valve in outlet port (marked "B") for proper right hand rotation.	
SPOOL VALVE INFORMATION	
Required Outlet Flow	Min 6 GPM / Max 10 GPM
Required System Pressure	Min 600 PSI / Max 3000 PSI

REPLACEMENT PARTS 3" POLY PUMPS W/ HYDRAULIC ADAPTER			
ITEM	PART NO	DESCRIPTION	QTY
1	12901	SS Rear Bracket Washer	4
2	12717	O-Ring for Screw Heads	4
2	12717V	FKM (viton type) O-Ring for Screw Heads	4
3	13712	Body Assembly	1
4	12705	Check Valve	1
4	12705V	FKM (viton type) Pump Check Valve	1
5	12900	SS Upper Volute Screw	4
6	12725	SS Volute Screws	2
7	12719A	Body O-Ring	1
8	12754	O-Ring Segment	1
8	12754V	FKM (viton type) O-Ring Segment	1
9	12720	SS Body Screws	10
10	V07018	SS Lock Washers	10
11	V07019	SS Body Nuts	10
12	12775A	Impeller Hex Nut	1
13	12902A	Impeller Key	1
14	12703A	Poly Pump Rear Bracket	1
15	12715A	5/16"-24 x 1.75" HHCS	4
16	12765A	SS Impeller Bolt	1
17	13771	4 Vane Impeller	1
18	12710	O-Ring for Seal Assembly	1
18	12710V	FKM (viton type) O-Ring for Seal Assembly	1
19	12774VA	Impeller Bolt Gasket	1
20	13702	Poly Pump Volute	1
21	12713	Mechanical Seal Assembly	1
22	12049E	Hydraulic Pedestal Housing (Must order 17056E & 12055E)	1
23	V20018	3/8" Lock Washer	2
24	12055B	Adapter Shaft	1
25	17056	Bearing	1
26	18010SS	3/8"-16 x 1.25" HHCS	2
27	HY1013	Hydraulic Motor	1
28	12600B	Complete Hydraulic Assembly	1
29	13777	3/4" Plug	2
30	13778	O-Ring	2



KITS 3" POLY HYDRAULIC PUMPS					
PART NO	EPDM REPAIR KIT NO	FKM REPAIR KIT NO	EPDM SEAL KIT NO	FKM SEAL KIT NO	HYDRAULIC MOTOR SEAL KIT
300PHY	13000	13000V	13999	13999V	HY1013

REPLACEMENT PARTS 3" POLY PUMPS			
ITEM	PART NO	DESCRIPTION	QTY
KIT	13000	4 Vane Impeller Repair Kit (Items 2,4,7-8,16-19, 21, 30, 12099)	1
KIT	13000V	4 Vane Impeller FKM (viton type) Repair Kit (Items 2,4,7-8,16-19, 21, 30, 12099)	1
KIT	13999	Pump Seal/O-Ring Kit (Items 2,4,7-8,16,18,19, 21, 30, 12099)	1
KIT	13999V	FKM(viton type) Pump Seal/O-Ring Kit (Items 2,4,7-8,16, 18,19, 21, 30, 12099)	1

**NOTE:** Please see our website for 300PHYW replacement parts.

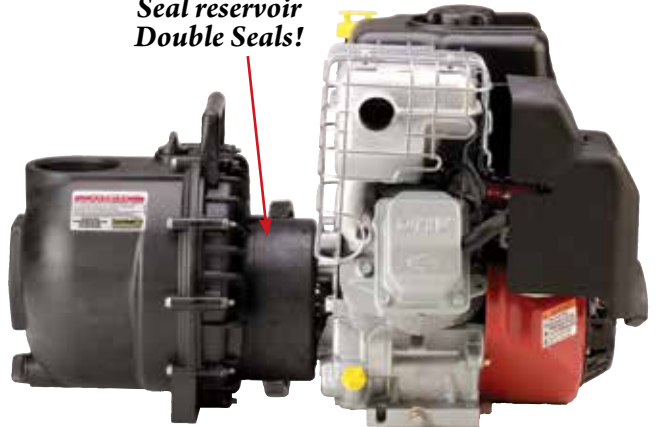
# 3" Polypropylene Manifold Wet Seal Pumps with Gas Engines

## FEATURES

- New Compact Design!
- Run Dry Capability!
- Double seal contained in ethylene glycol reservoir.  
Carbon Ceramic seal faces with stainless steel cup & spring with EPDM rubber.
- Pump end separated from engine.
- Large weep holes between pump end and engine.
- "V" shaped for quicker priming.



Seal reservoir  
Double Seals!



3" POLY WET SEAL PUMPS W/GAS ENGINES			
PART NO	DESCRIPTION	HP	QTY
300PH6W	3" Poly Wet Seal Pump w/6.0 HP Honda® Engine	6.0	1
300PH11W	3" Poly Wet Seal Pump w/11 HP Honda® Engine w/Electric Start & Pull Rope	11	1
300P11PROW	3" Poly Wet Seal Pump w/11 HP Briggs & Stratton® Engine Pro Series w/Electric Start & Pull Rope	11	1
300PH13W	3" Poly Wet Seal Pump w/13 HP Honda® Engine w/Electric Start & Pull Rope	13	1

Truck shipments only.

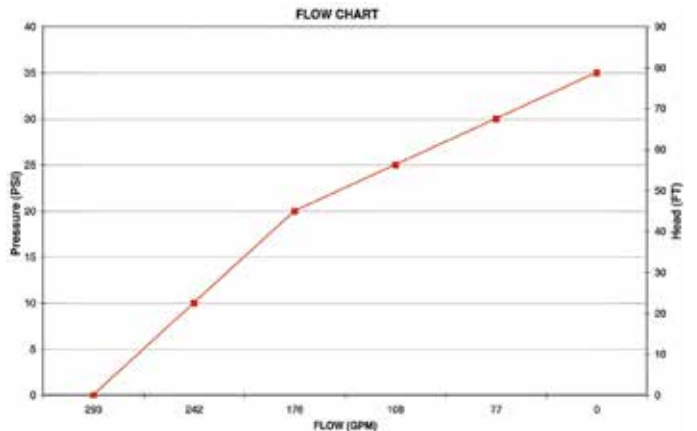
3" POLY MANIFOLD WET SEAL PUMPS W/GAS ENGINES			
PART NO	DESCRIPTION	HP	QTY
M300PH6W	3" Poly Manifold Wet Seal Pump w/6.0 HP Honda® Engine	6.0	1
M300PH11W	3" Poly Manifold Wet Seal Pump w/11 HP Honda® Engine w/Electric Start & Pull Rope	11	1
M300P11PROW	3" Poly Wet Seal Pump w/11 HP Briggs & Stratton® Engine Pro Series w/ Pull Rope	11	1

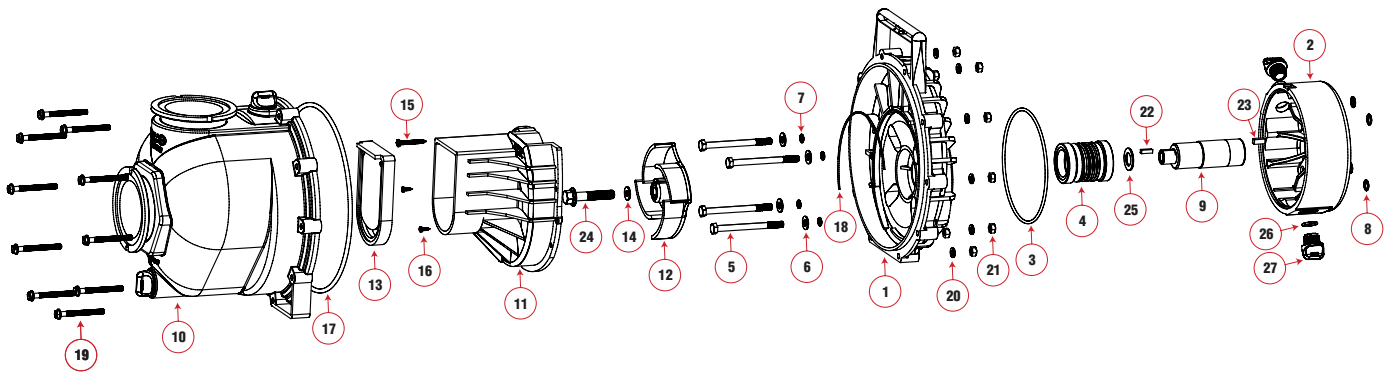


3" POLY WET SEAL BEARING PEDESTAL			
PART NO	DESCRIPTION	HP	QTY
300PBW	3" Poly Wet Seal Bearing Pedestal w/ 3/4" Shaft & 4 Vane Impeller	N/A	1

3" POLY MANIFOLD WET SEAL BEARING PEDESTAL			
PART NO	DESCRIPTION	HP	QTY
M300PBW	3" Poly Manifold Wet Seal Bearing Pedestal w/ 3/4" Shaft & 4 Vane Impeller	N/A	1

**DO NOT USE WITH FLAMMABLE LIQUIDS.**





**REPLACEMENT PARTS 3" MANIFOLD POLY WET SEAL PUMPS**

ITEM	PART NO	DESCRIPTION	QTY
1	12703AW	Wet Seal Rear Bracket for 11 HP Honda® Engine & 11 HP Briggs & Stratton® Engine	1
1	12707W	Wet Seal Rear Bracket for 6 HP Honda® Engine, 6 HP Briggs & Stratton® Engine & Bearing Pedestal	1
2	12201W	Wet Seal Reservoir for 11 HP Honda® Engine & 11 HP Briggs & Stratton® Engine	1
2	12202W	Wet Seal Reservoir for 6 HP Honda® Engine, 6 HP Briggs & Stratton® Engine & Bearing Pedestal	1
3	13719	O-Ring	1
4	15035E	Mechanical Seal Assembly EPDM	1
5	13034	5/16" - 24 x 3 3/4" HHCS	4
6	12901	5/16" Flat Washer	4
7	12717	O-Ring for Bracket Screw	4
8	12709	O-Ring	4
9	12155	Manifold Adapter Shaft for 6 HP Honda® Engine, 6 HP Briggs & Stratton® Engine & Bearing Pedestal	1
9	13055	Adapter Shaft for 11 HP Honda® Engine & 11 HP Briggs & Stratton® Engine	1
10	M13712	Manifold Body Assembly	1
10	13712	Body Assembly	1
11	13702	Volute	1
12	13772	Impeller	1

**REPLACEMENT PARTS 3" MANIFOLD POLY WET SEAL PUMPS**

ITEM	PART NO	DESCRIPTION	QTY
13	12705	Check Valve	1
14	12774VA	Impeller Bolt Gasket	1
15	12900	#10 x 1 1/2" PPH SMS 18-8 SS	1
16	12725	#6 x 1 1/2" PPH SMS 18-8 SS	1
17	12719A	Body O-Ring	1
18	12754	O-Ring Segment	1
19	12720	1/4" - 20 x 2 1/2" SI Ind HWHS	10
20	V07018	1/4" Lock Washer	10
21	V07019	1/4" - 20 Hex Nut	10
22	12902A	3/16" SQ. x 5/8" Key	1
23	16901	1/4" SQ. 3/4" Key Stock	1
24	14766	7/16" - 20 x 2 1/2" HFS for 11 HP Honda® Engine & 11 HP Briggs & Stratton® Engine (Manifold)	1
24	12766	5/16" - 24 x 3 1/4" HFS for 6 HP Honda® Engine, 6 HP Briggs & Stratton® Engine & Bearing Pedestal (Manifold)	1
24	13766	3/8" - 24 x 2 1/4" HFS for 11 HP Honda® Engine & 11 HP Briggs & Stratton® Engine	1
25	CV10175	Gasket	1
26	UV15163	O-Ring (manifold)	2
26	13778	O-Ring	2
27	13777	3/4" Plug	2
27	12777	1/2" Plug (manifold)	2

SELF-PRIMING CENTRIFUGAL PUMPS

# 1½" Cast Iron Pumps

## FEATURES

- Cast iron construction for rugged dependable service.
- Stainless steel shaft sleeve to protect engine shaft.
- Carbon ceramic seal with stainless steel cup and spring with FKM (viton type) rubber.
- Replaceable inlet and outlet flanges.
- Dynamically balanced impeller.

## FEATURES

- Pump Only packs complete and ready for attachment to gasoline engine.
- Pedestal pump for long coupling to electric motor.

## IMPORTANT

- Recommended horsepower, listed below, is for water only. Heavier fluids may require additional horsepower or a trimmed impeller.

**CAUTION-WARNING:** Please do not run pump dry, restrict or reduce port sizes, or dead head pump. This could cause component failure to pump.

**DO NOT USE WITH FLAMMABLE LIQUIDS.**

**NOTE:** Engine warranty service available at authorized Briggs & Stratton and Honda dealers.

**SHIPPING:** Pumps are truck shipments only.



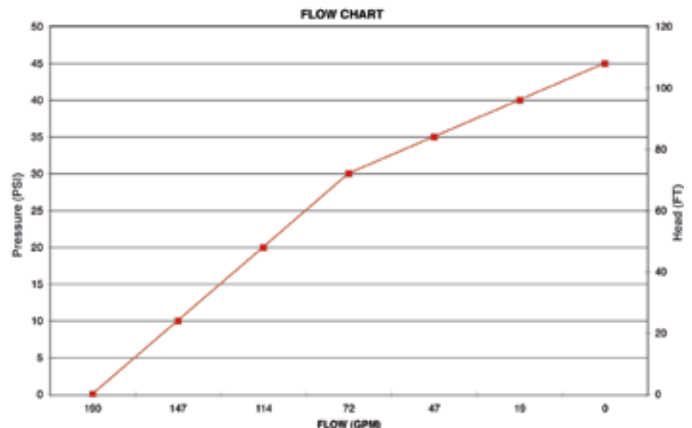
1½" CAST IRON PUMP ONLY			
PART NO	DESCRIPTION	HP	QTY
150POI	1½" Cast Iron Pump Only w/ ¾" Shaft Sleeve	N/A	1

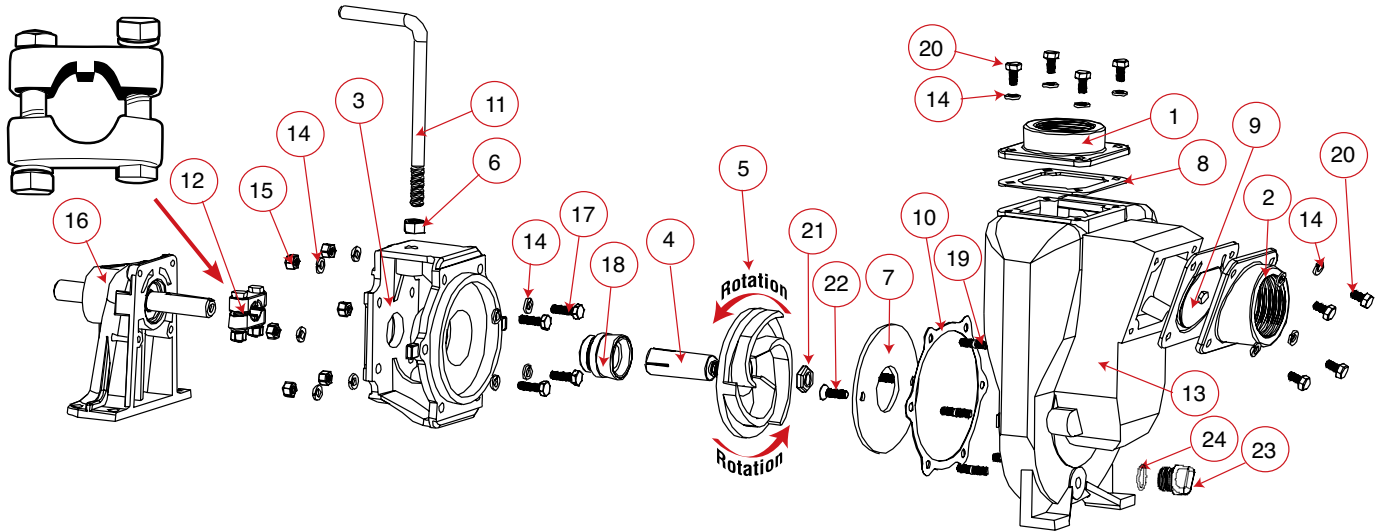
1½" CAST IRON BEARING PEDESTAL			
PART NO	DESCRIPTION	HP	QTY
150PBI	1½" Cast Iron Bearing Pedestal w/ ¾" Straight Shaft*	N/A	1

1½" CAST IRON C-FLANGE PUMPS			
PART NO	DESCRIPTION	HP	QTY
150POICF5/8-4.1	1½" Cast Iron C-Flange Pump w/ 5/8" Shaft Sleeve* & 4.1 Impeller	N/A	1
150POICF7/8	1½" Cast Iron C-Flange Pump w/ 7/8" Shaft Sleeve*	N/A	1
150POICF7/8-4.1	1½" Cast Iron C-Flange Pump w/ 7/8" Shaft Sleeve* & 4.1 Impeller	N/A	1
150POICF7/8-4.6	1½" Cast Iron C-Flange Pump w/ 7/8" Shaft Sleeve* & 4.6 Impeller	N/A	1

\* Recommendation for 5/8" Shaft: 56C Frame Size, 3 HP, 3450 RPM, & 5" Max Impeller for close coupling to electric motors.

7/8" Shaft: 145TC Frame Size, 3 HP, 3450 RPM, & 5" Max Impeller for close coupling to electric motors.





REPLACEMENT PARTS 1 1/2" CAST IRON PUMPS			
ITEM	PART NO	DESCRIPTION	QTY
1	17001	Threaded Outlet Flange	1
2	17003	Threaded Inlet Flange	1
3	17004	Adapter for Gas Engine	1
3	17046	C-Flange Adapter	1
4	17005	5/8" Sleeve Drive for Electric Motor	1
4*	17006	3/4" Sleeve Drive	1
4	17007	7/8" Sleeve Drive for Electric Motor	1
5*	17008	5" Impeller	1
5	17008-4.6	4.6" Trimmed Impeller	1
5	17008-4.1	4.1" Trimmed Impeller	1
6	17010	1/2" Hex Nut	1
7*	17011	Wear Plate	1
8	17013	EPDM Gasket	1
9	17016	Check Valve Assembly	1
10*	17018	Gasket Adapter	1
11	15022	Handle	1
12	17023	5/8" Clamp for 3/4" Shaft Assembly (Old Style)	1
12	17123	5/8" Clamp for 3/4" Shaft Assembly (Keyed)	1
12	17024	7/8" Clamp for Shaft Assembly	1

REPLACEMENT PARTS 1 1/2" CAST IRON PUMPS			
ITEM	PART NO	DESCRIPTION	QTY
13	17026	Pump Housing	1
14	V10118	5/16" Lock Washer	18
15	V10119	5/16" - 18 SS Hex Nut	6
N/S	12884	Internal Retaining Clip for Pedestal	1
N/S	12883B	Bearings	2
16	12882A	Complete Pedestal Assembly	1
17	17040	5/16" - 24 x 1.00" Cap Screw	4
18	17028	EPDM Seal Assembly	1
18*	17035	FKM (viton type) Seal Assembly	1
18	17035SD	Severe Duty Seal	1
19	17042	Stud	6
20	17019	5/16" - 18 x 3/4" Cap Screw	8
21	17009B	5/8" Impeller Nut	1
22	17130	5/16-18 x 1.00" FHSCS, 18-8 SS	2
23	12777	1/2" Plug	1
24	UV15163	O-Ring	1
N/S	17033	Z Rails (Pair)	1
N/S	17100	Repair Kit (Consists of items 4*, 5*, 7,10,18*)	1

# 2" Cast Iron Pumps

## FEATURES

- Cast iron construction for rugged dependable service.
- Stainless steel shaft sleeve to protect engine shaft.
- Carbon ceramic seal with stainless steel cup and spring with FKM (viton type) rubber.
- Replaceable inlet and outlet flanges.
- Dynamically balanced impeller.

**CAUTION-WARNING:** Please do not run pump dry, restrict or reduce port sizes, or dead head pump. This could cause component failure to pump.

**DO NOT USE WITH FLAMMABLE LIQUIDS.**

**NOTE:** Engine warranty service available at authorized Briggs & Stratton and Honda dealers.

**SHIPPING:** Pumps are truck shipments only.



2" CAST IRON PUMPS W/GAS ENGINES			
PART NO	DESCRIPTION	HP	QTY
200PI-3	2" Cast Iron Pump w/3.5 HP Briggs & Stratton® Engine	3.5	1
200PI6PRO	2" Cast Iron Pump w/6.5 HP Briggs & Stratton® Engine Pro Series	6.5	1
200PIH-5	2" Cast Iron Pump w/5.5 HP Honda® Engine	5.5	1
200PIH5E	2" Cast Iron Pump w/5.5 HP Honda® Engine w/Electric Start	5.5	1



2" CAST IRON PUMP ONLY			
PART NO	DESCRIPTION	HP	QTY
200POI	2" Cast Iron Pump Only w/ 3/4" Shaft Sleeve	N/A	1



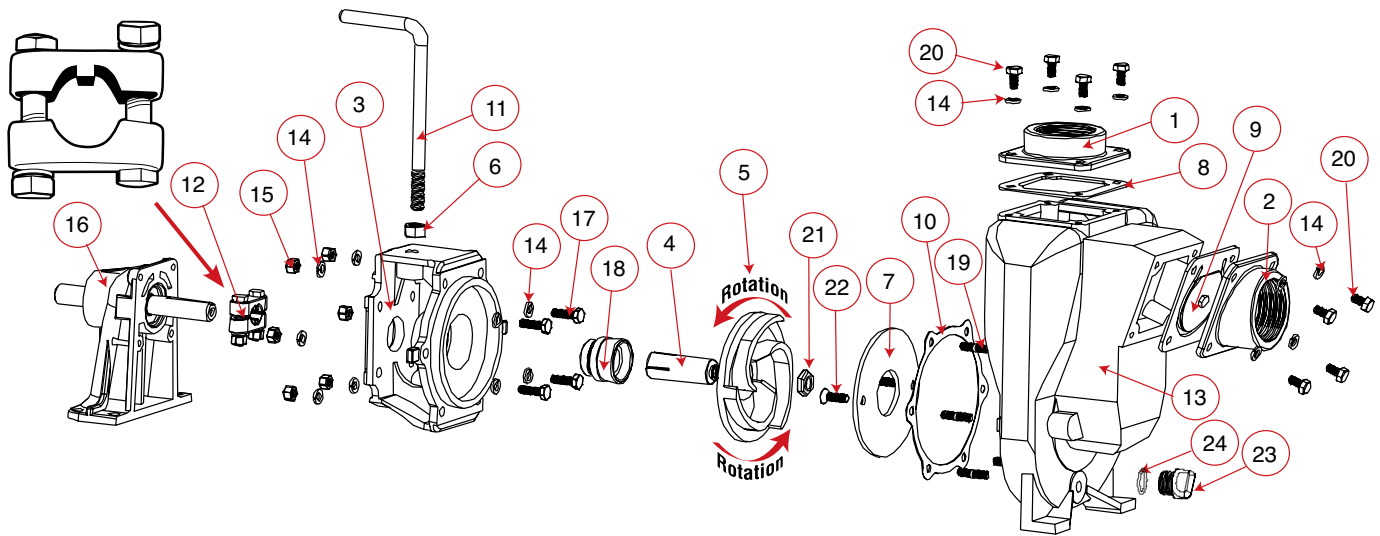
2" CAST IRON BEARING PEDESTAL			
PART NO	DESCRIPTION	HP	QTY
200PBI	2" Cast Iron Bearing Pedestal w/ 3/4" Straight Shaft*	N/A	1

Note: \*3/4" straight shaft for long coupling to electric motors

2" CAST IRON C-FLANGE PUMPS			
PART NO	DESCRIPTION	HP	QTY
200POICF5/8	2" Cast Iron C-Flange Pump w/ 5/8" Shaft Sleeve*	N/A	1
200POICF7/8	2" Cast Iron C-Flange Pump w/ 7/8" Shaft Sleeve*	N/A	1
200POICF7/8-4.6	2" Cast Iron C-Flange Pump w/ 7/8" Shaft Sleeve* & 4.6 Impeller	N/A	1

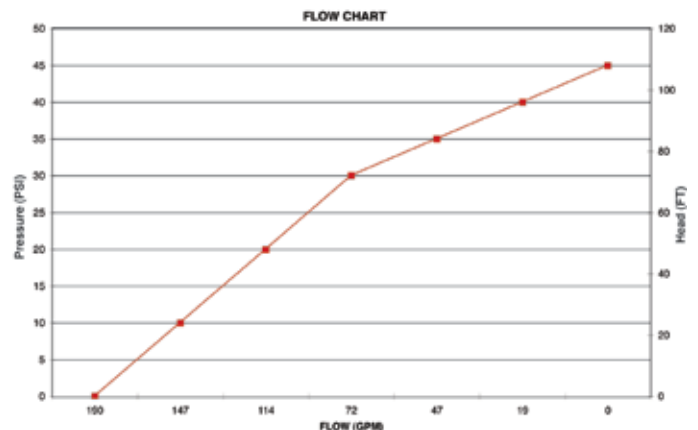
Note: \* Recommendation for 5/8" Shaft: 56C Frame Size, 3 HP, 3450 RPM, & 5" Max Impeller for close coupling to electric motors.  
7/8" Shaft: 145TC Frame Size, 3 HP, 3450 RPM, & 5" Max Impeller for close coupling to electric motors.





REPLACEMENT PARTS 2" CAST IRON PUMPS			
ITEM	PART NO	DESCRIPTION	QTY
1	17000	Threaded Outlet Flange	1
1	M17000	2" Manifold Outlet Flange	1
2	17002	Threaded Inlet Flange	1
2	M17002	2" Manifold Inlet Flange	1
3	17004	Adapter for Gas Engine	1
3	17046	C-Flange Adapter	1
4	17005	5/8" Sleeve Drive for Electric Motor	1
4*	17006	3/4" Sleeve Drive	1
4	17007	7/8" Sleeve Drive for Electric Motor	1
5*	17008	5" Impeller	1
5	17008-4.6	4.6" Trimmed Impeller	1
5	17008-4.1	4.1" Trimmed Impeller	1
6	17010	1/2" Hex Nut	1
7*	17011	Wear Plate	1
8	17013	EPDM Gasket	1
9	17016	Check Valve Assembly	1
10*	17018	Gasket Adapter	1
11	15022	Handle	1
12	17023	5/8" Clamp for 3/4" Shaft Assembly (Old Style)	1
12	17123	5/8" Clamp for 3/4" Shaft Assembly (Keyed)	1
12	17024	7/8" Clamp for Shaft Assembly	1

REPLACEMENT PARTS 2" CAST IRON PUMPS			
ITEM	PART NO	DESCRIPTION	QTY
13	17026	Pump Housing	1
14	V10118	5/16" Lock Washer	18
15	V10119	5/16" - 18 SS Hex Nut	6
N/S	12884	Internal Retaining Clip for Pedestal	1
N/S	12883B	Bearings	2
16	12882A	Complete Pedestal Assembly	1
17	17040	5/16" -24 x 1.00" Cap Screw	4
18	17028	EPDM Seal Assembly	1
18*	17035	FKM (viton type) Seal Assembly	1
18	17035SD	Severe Duty Seal	1
19	17042	Stud	6
20	17019	5/16"-18 x 3/4" Cap Screw	8
21	17009B	5/8" Impeller Nut	1
22	17130	5/16-18 x 1.00" FHSCS, 18-8 SS	2
23	12777	1/2" Plug	1
24	UV15163	O-Ring	1
N/S	17033	Z Rails (Pair)	1
N/S	17100	Repair Kit (Consists of items 4*, 5*, 7,10,18*)	1



# 2" Wet Seal Cast Iron Pump

## FEATURES

- Run Dry Capability!
- FKM (viton type) double seal contained in ethylene glycol reservoir.
- Dynamically balanced impeller.
- All stainless steel hardware.
- Available in cast iron or 316 stainless steel, with bearing pedestal, gas engine or pump only.

**NOTE:** Engine warranty service available at authorized Briggs & Stratton and Honda dealers.

**\*SHIPPING:** Truck shipments only.

**Pump Seal & Engine Protection**

**Run Dry Capability!**



*Seal reservoir double seals!*

2" CAST IRON WET SEAL PUMPS W/GAS ENGINES			
PART NO	DESCRIPTION	HP	QTY
201PIH5W	2" Cast Iron Wet Seal Pump w/5.5 HP Honda® Engine	5.5	1
201PI6PROW	2" Cast Iron Wet Seal Pump w/6.5 HP Briggs & Stratton® Engine Pro Series	6.5	1



Bearing Pedestal  
3/4" shaft for electric motors



Pump Only  
for gas engine

\*See page 135 for available base plate.

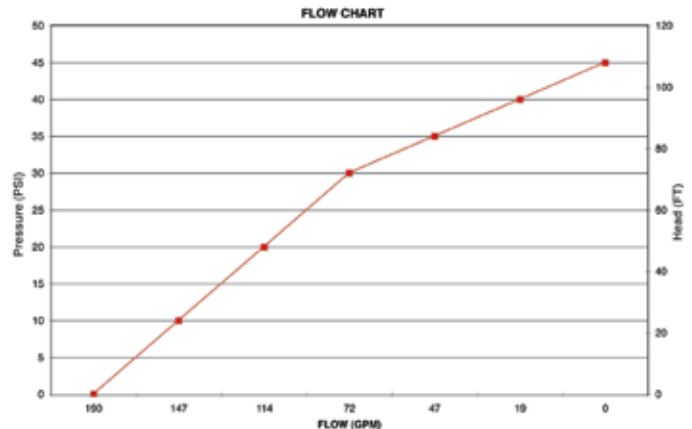


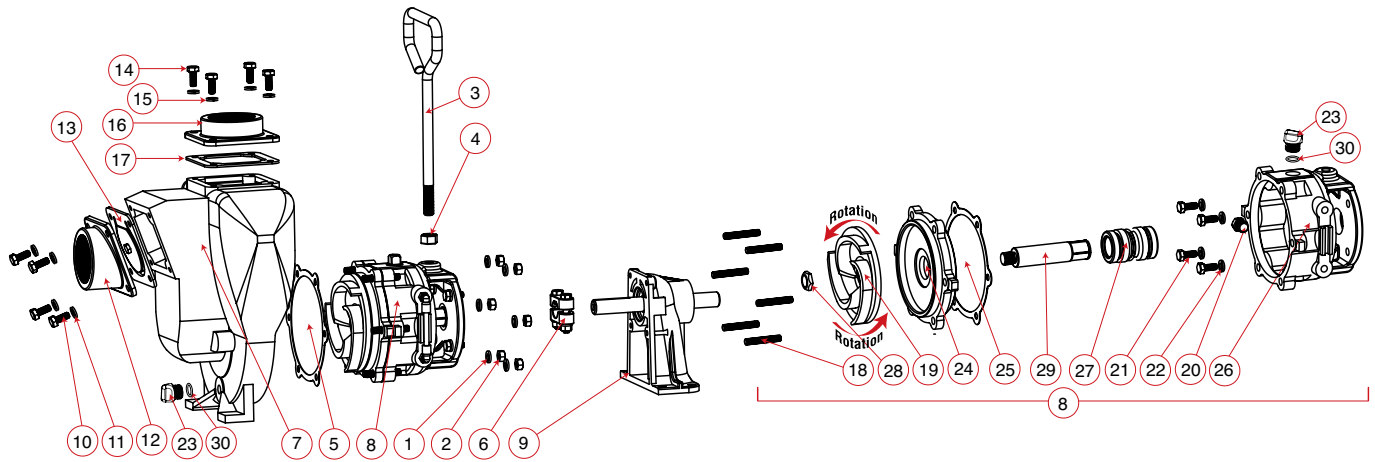
POLYETHYLENE SUCTION BASKET STRAINER		
PART NO	DESCRIPTION	QTY
200SBS	2" Female Thread Poly Basket	1
300SBS	3" Female Thread Poly Basket	1

2" CAST IRON WET SEAL BEARING PEDESTALS			
PART NO	DESCRIPTION	HP	QTY
201PBIW	2" Cast Iron Wet Seal Pump w/Bearing Pedestal	N/A	1

2" CAST IRON WET SEAL PUMP ONLYS			
PART NO	DESCRIPTION	HP	QTY
201POIW	2" Cast Iron Wet Seal Pump Only	N/A	1

**DO NOT USE WITH FLAMMABLE LIQUIDS.**





REPLACEMENT PARTS 2" CAST IRON WET SEAL PUMPS			
ITEM	PART NO	DESCRIPTION	QTY
1	V10118	5/16" Lock Washer	6
2	V10119	5/16" -18 Hex Nut	6
3	15022	Handle	1
4	17010	1/2" Hex Nut	1
5	17018	Gasket Adapter	1
6	17123	5/8" Clamp, 3/4" Shaft Assembly Keyed	1
7	17226	Pump Housing	1
8	17200A	Wet Seal Assembly	1
9	12882A	Bearing Pedestal	1
10	17019	5/16"-18 x 3/4" HHCS	4
11	V10118	5/16" Lock Washer	4
12	17002	Inlet Flange	1
13	17016	EPDM Check Valve Gasket Assembly	1
14	17019	5/16" -18 x 3/4" HHCS	4
15	V10118	5/16" Lock Washer	4

REPLACEMENT PARTS 2" CAST IRON WET SEAL PUMPS			
ITEM	PART NO	DESCRIPTION	QTY
16	17000	Outlet Flange	1
17	17013	EPDM Outlet Gasket	1
18	17242	Housing Stud	6
19	17208	Impeller	1
20	17032	Pipe Plug	1
21	17019	5/16"-18 x 3/4" Cap Screw	4
22	V10118	5/16" Lock Washer	4
23	12777	1/2" Plug	2
24	17202	Cover Plate	1
25	17018	Gasket Adapter	1
26	17201A	Reservoir	1
27	17235	FKM (viton type) Mechanical Seal Assembly	1
28	17009B	5/8" Impeller Nut	1
29	17206A	Adapter Shaft	1
30	UV15163	O-Ring	2

# 2" Cast Iron Pumps with Electric Motors

## FEATURES

- Cast iron construction for rugged dependable service.
- Stainless steel shaft sleeve to protect engine shaft.
- Carbon ceramic seal with stainless steel cup and spring with FKM (viton type) rubber.
- Replaceable inlet and outlet flanges.
- Dynamically balanced impeller.

**CAUTION-WARNING:** Please do not run pumps dry, restrict or reduce port sizes or dead head pumps. This could cause component failure to pump.

**DO NOT USE WITH FLAMMABLE LIQUIDS.**



2" CAST IRON PUMPS W/ELECTRIC MOTORS				
PART NO	DESCRIPTION	HP	QTY	
234PIE3	2" Cast Iron Pump w/3.0 HP Three Phase Electric Motor	3.0	1	
234PIE5	2" Cast Iron Pump w/5.0 HP Three Phase Electric Motor	5.0	1	
234PIE51	2" Cast Iron Pump w/5.0 HP Single Phase Electric Motor	5.0	1	

2" CAST IRON PUMP ONLY				
PART NO	DESCRIPTION	HP	QTY	
234POI	2" Cast Iron Pump Only w/ 184TC Frame Adapter	N/A	1	

**NOTE:** Truck shipments only. Motor warranty service available at authorized dealers.

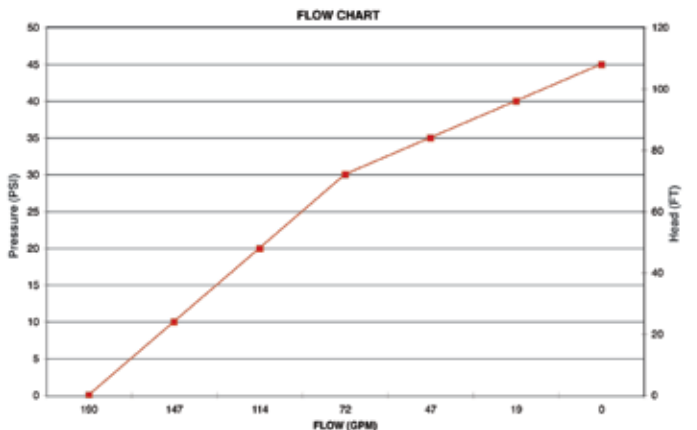
## COMPLETE PUMP WITH EFFICIENT INDUSTRIAL ELECTRIC MOTORS!

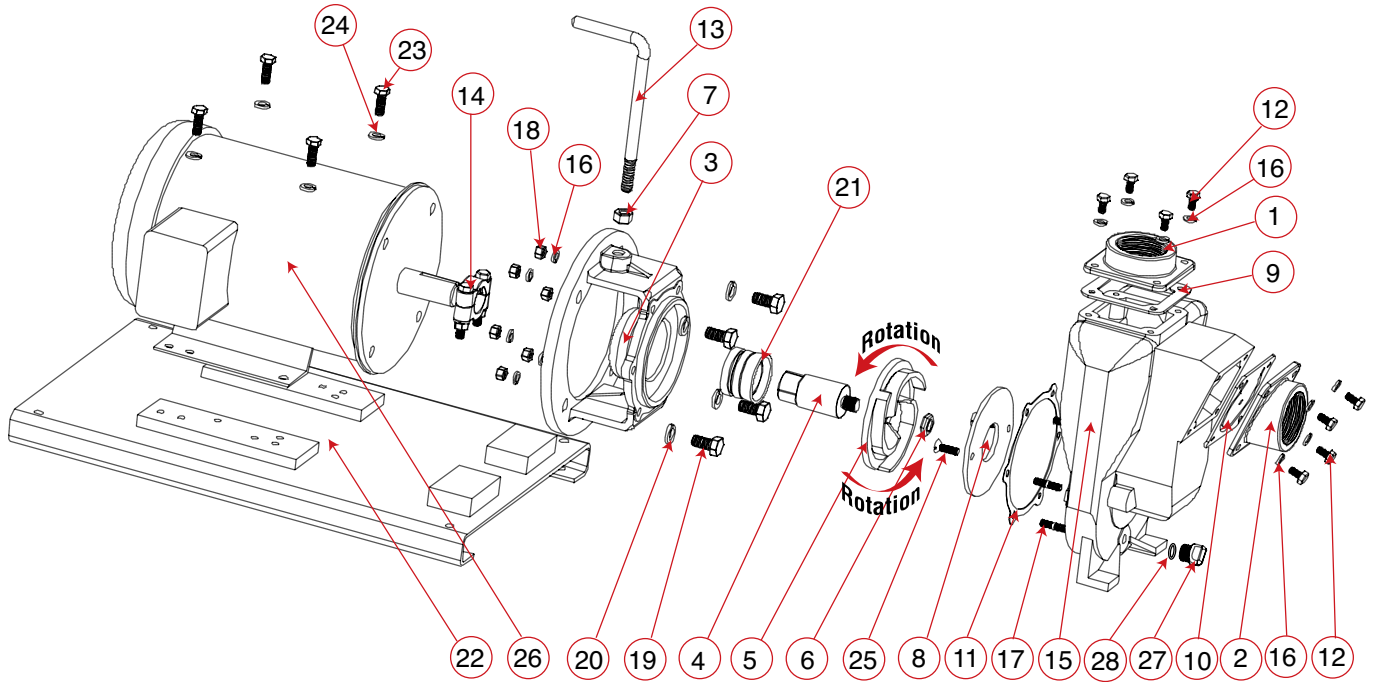
### MOTOR FEATURES:

- Pressure cast aluminum end plates with ribbed design for rigidity.
- Ball bearings, locked drive end bearing.
- Heavy gauge steel frame.
- Motors wound with inverter spike resistance magnet wire.
- Mounted complete on heavy duty cast iron base plate.
- 230 V Motors.



POLYETHYLENE SUCTION BASKET STRAINER			
PART NO	DESCRIPTION	QTY	
200SBS	2" Female Thread Poly Basket	1	
300SBS	3" Female Thread Poly Basket	1	





REPLACEMENT PARTS 234PIE3			
ITEM	PART NO	DESCRIPTION	QTY
1	17000	Outlet Flange	1
2	17002	Inlet Flange	1
3	17046	C-Flange Adapter	1
4	17007	Impeller Shaft	1
5	17008	Impeller	1
6	17009B	5/8" Impeller Nut	1
7	17010	1/2" Hex Nut	1
8	17011	Wear Plate	1
9	17013	Outlet Gasket	1
10	17016	Gasket & Check Valve	1
11	17018	Gasket Adapter	1
12	17019	Bolt	8
13	15022	Handle	1
14	17024	Clamp Assembly w/Key	1
15	17026	Pump Housing	1
16	V10118	5/16" Lock Washer	20
17	17042	Housing Stud	6
18	V10119	Hex Nut	8
19	17449	Bolt	4
20	18058	Washer	4
21	17035	Seal Assembly	1
22	17701	Base Plate Assembly	1
23	17704	Bolt	4
24	V20018	3/8" Lock Washer	4
25	17130	5/16-18 x 1.00" FHSCS, 18-8 SS	2
26	BEM3	Electric Motor	1
27	12777	1/2" Plug	1
28	UV15163	O-Ring for Drain Plug	1

REPLACEMENT PARTS 234PIE5 & 234PIE51			
ITEM	PART NO	DESCRIPTION	QTY
1	17000	Outlet Flange	1
2	17002	Inlet Flange	1
3	17446	C-Flange Adapter	1
4	17406	Impeller Shaft	1
5	17408	Impeller	1
6	17009B	5/8" Impeller Nut	1
7	17010	1/2" Hex Nut	1
8	17011	Wear Plate	1
9	17013	Outlet Gasket	1
10	17016	Gasket & Check Valve	1
11	17018	Gasket Adapter	1
12	17019	Bolt	8
13	15022	Handle	1
14	18129	Clamp Assembly w/Key	1
15	17026	Pump Housing	1
16	V10118	5/16" Lock Washer	20
17	17042	Housing Stud	6
18	V10119	Hex Nut	8
19	17449	Bolt	4
20	18058	Washer	4
21	18025	Seal Assembly	1
22	17701	Base Plate Assembly	1
23	17704	Bolt	4
24	V20018	3/8" Lock Washer	4
25	17130	5/16-18 x 1.00" FHSCS, 18-8 SS	2
26	BEM5	Electric Motor	1
26	BEM51	Electric Motor	1
27	12777	1/2" Plug	1
28	UV15163	O-Ring for Drain Plug	1

# 2" Cast Iron Pumps with Hydraulic Motors

## PUMP FEATURES

- Rugged construction for dependable service.
- Carbon ceramic seal with stainless steel cup and spring with FKM (viton type) rubber.
- Replaceable inlet and outlet flanges.
- Dynamically balanced impeller.

## HYDRAULIC MOTOR FEATURES

- Hydraulic fluid capacity  
Minimum 6 Gallons / Maximum 10 Gallons.
- 12 H.P. Motor.
- Open or closed system.
- Minimum 500 P.S.I. / Maximum 2000 P.S.I.

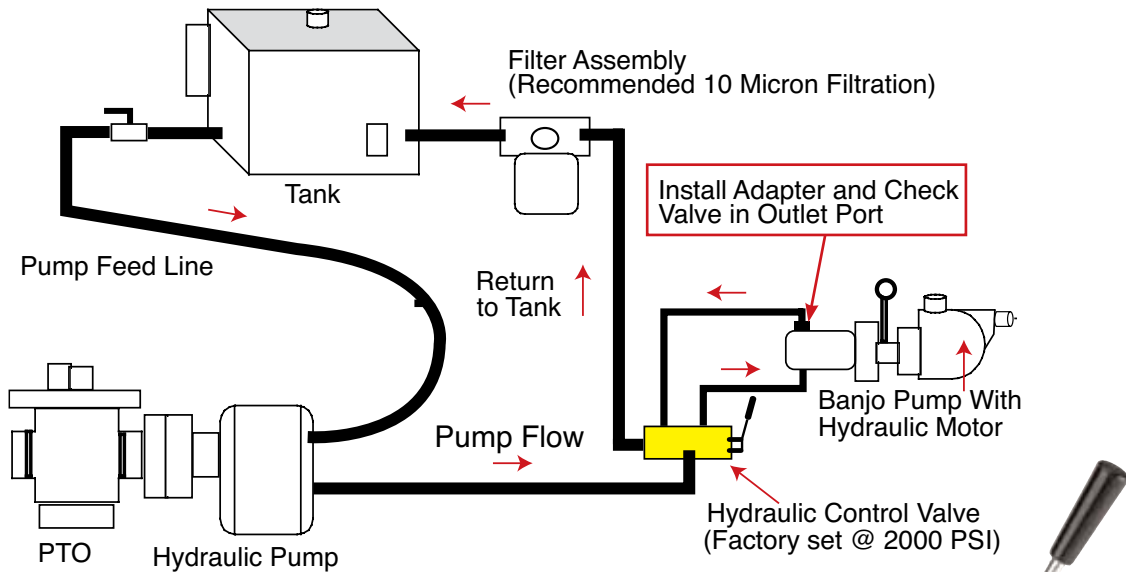
**CAUTION-WARNING:** Please do not run pumps dry, restrict or reduce port sizes or dead head pumps. This could cause component failure to pump.

**DO NOT USE WITH FLAMMABLE LIQUIDS.**



2" CAST IRON HYDRAULIC PUMPS			
PART NO	DESCRIPTION	HP	QTY
200PIHY	2" Cast Iron Pump w/12 HP Hydraulic Motor	12	1
200PIHA	2" Cast Iron Pump Only without Motor	N/A	1

## SPOOL VALVE ASSEMBLY DIAGRAM



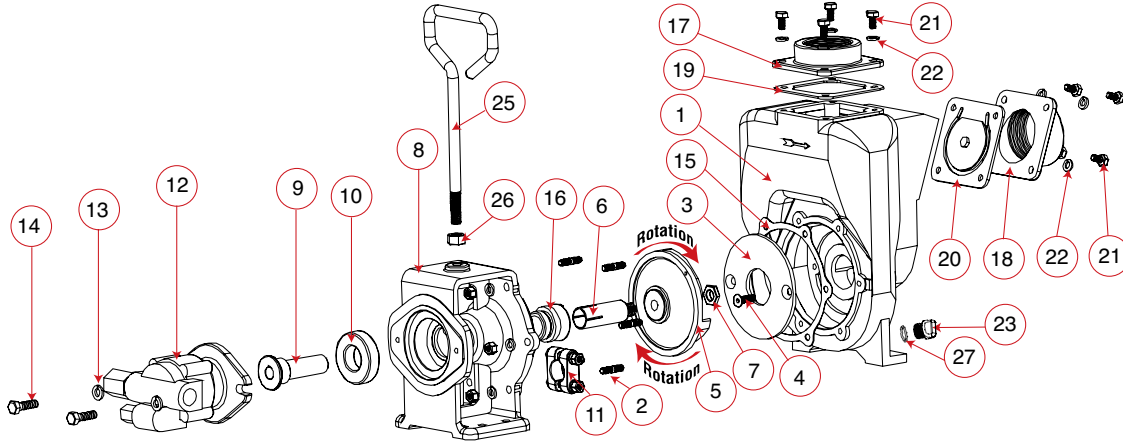
**Recommendation:**  
We recommend using the motor spool control valve or a suitable equivalent. The lack of such a valve in this circuit may cause failure to the hydraulic motor.



HYDRAULIC MOTOR SPOOL VALVE			
PART NO	DESCRIPTION	HP	QTY
HSV1000	Hydraulic Motor Spool Valve	N/A	1

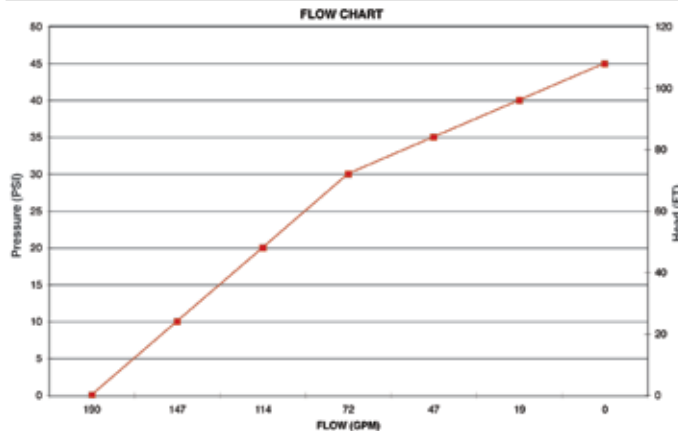




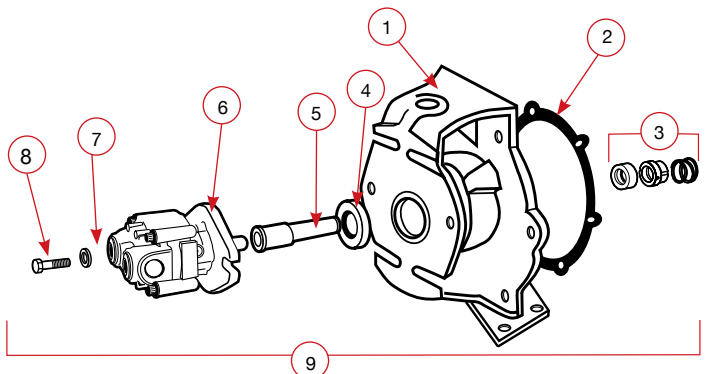


HYDRAULIC MOTOR DATA	
U.S. Gallons/Rev.	0.0025
Cubic Inches/Rev.	0.580
Liters/Rev.	0.0097
Max Hydraulic Pressure	2000 PSI
Min Hydraulic Pressure	200 PSI
Inlet Port	SAE 10 (7/8-14 UNF-2B)
Outlet Port	SAE 10 (7/8-14 UNF-2B)
Minimum GPM Required	6 GPM 2400 RPM
Maximum GPM Required	10 GPM 4000 RPM
Ideal GPM Required	9 GPM 3600 RPM
CONNECTION INFORMATION	
Inlet	"A" Port
Outlet	"B" Port
Supplied check valve is to ensure proper rotation of the Banjo pump. Place check valve in outlet port (marked "B") for proper right hand rotation.	
SPOOL VALVE INFORMATION	
Required Outlet Flow	Min 8 GPM / Max 13 GPM
Required System Pressure	Min 600 PSI / Max 3000 PSI

REPLACEMENT PARTS 1½" & 2" CAST IRON PUMPS			
ITEM	PART NO	DESCRIPTION	QTY
1	17026	Pump Housing	1
2	17042	Pump Housing Stud	6
3	17011	Wear Plate	1
4	17130	5/16-18 x 1.00" FHSCS, 18-8 SS	2
5	17008	5" Impeller	1
6	17007	7/8" Sleeve Drive for Hydraulic Motor	1
7	17009B	5/8" Impeller Nut	1
8	17049A	Hydraulic Adapter	1
9	17055A	Hydraulic Adapter Shaft	1
10	17056	SKF 6206-2RS1 Bearing	1
11	17024	7/8" Clamp, no key	1
12	HY1013	MGG@0025BC1D3 Hydraulic Motor Assembly	1
13	V20018	3/8" Lock Washer	2
14	18010SS	3/8"-16 x 1.25" HHCSS	2
15	17018	Gasket Adapter	1
16	17028	EPDM Seal Assembly	1
16	17035	FKM (viton type) Seal Assembly	1
16	17035SD	Severe Duty Seal Assembly	1
17	17000	2" Outlet Flange	1
17	17001	1½" Outlet Flange	1
18	17002	2" Inlet Flange	1
18	17003	1½" Inlet Flange	1
19	17013	EPDM Gasket	1
20	17016	Gasket Check Valve Assembly	1
21	17019	5/16" -18 x 0.75" Cap Screw	8
22	V10118	5/16" Split Lock Washer	14
23	12777	½" Plug	1
24	V10119	5/16"-18 Hex Nut	6
25	15022	Handle	1
26	17010	½" Hex Nut - 13UNF-RH	1
27	UV15163	O-Ring	1



REPLACEMENT PARTS 1½" & 2" HYDRAULIC ADAPTER			
ITEM	PART NO	DESCRIPTION	QTY
1	17049A	Hydraulic Motor Adapter	1
2	17018	Gasket Adapter	1
3	17035	Seal Assembly	1
N/S	17007	7/8" SS Shaft Sleeve	1
N/S	12214A	Shim	1
4	17056	SKF 6206-2RS1 Bearing	1
5	17055A	Hydraulic Adapter Shaft	1
6	HY1013	Gresen® Hydraulic Motor	1
7	V20018	Lock Washer	2
8	18010SS	Bolt	2
9	17600A	Hydraulic Motor Conversion Assembly	1
N/S	HY1003	Seal Kit	1



# 2" 222 Series Cast Iron Pumps

## PUMP FEATURES

- Cast iron construction for rugged dependable service.
- Carbon ceramic seal with stainless steel cup and spring with FKM (viton type) rubber.
- Replaceable inlet and outlet flanges.
- Dynamically balanced impeller.
- Pump end separated from engine.
- Heavy duty slinger seal on motor shaft.
- Large weep holes between pump end and engine.
- "V" Shaped for quicker priming.

**CAUTION-WARNING:** Please do not run pump dry, restrict or reduce port sizes, or dead head pump. This could cause component failure to pump.

**DO NOT USE WITH FLAMMABLE LIQUIDS.**

**NOTE:** Engine warranty service available at authorized Briggs & Stratton and Honda dealers.

**\*SHIPPING:** Truck shipments only.



222 SERIES CAST IRON PUMPS W/GAS ENGINES			
PART NO	DESCRIPTION	HP	QTY
222PIH5	2" Cast Iron Pump w/5.5 HP Honda® Engine	5.5	1
222PIH6	2" Cast Iron Pump w/6.5 HP Honda® Engine	6.5	1
222PIH5E	2" Cast Iron Pump w/5.5 HP Honda® Engine w/ Electric Start	5.5	1
222PI6PRO	2" Cast Iron Pump w/6.5 HP Briggs & Stratton® Engine Pro Series	6.5	1

222 CAST IRON BEARING PEDESTAL FOR ELECTRIC MOTORS			
PART NO	DESCRIPTION	HP	QTY
222PBI	2" Cast Iron Bearing Pedestal w/ 3/4" Shaft Straight Keyed	N/A	1

\* Recommended for use with 5 h.p. electric motor @ 3600 RPM.

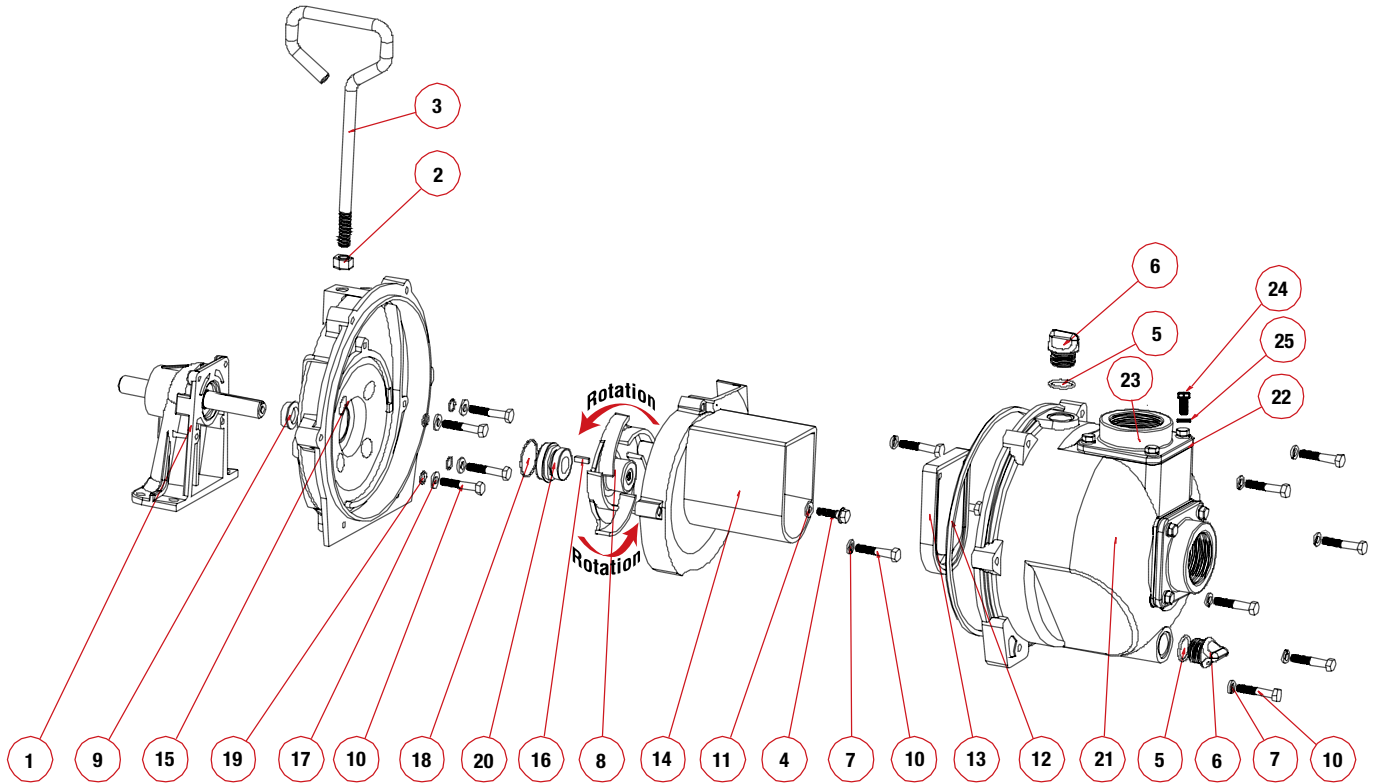


222 CAST IRON PUMP ONLYS FOR GAS ENGINES			
PART NO	DESCRIPTION	HP	QTY
222POI	2" Cast Iron Pump Only w/ Full Impeller	N/A	1
225POI	2" Cast Iron Pump Only w/ Trimmed Impeller	N/A	1

\* 225POI Recommended for use with 10 pound per gallon material or more.

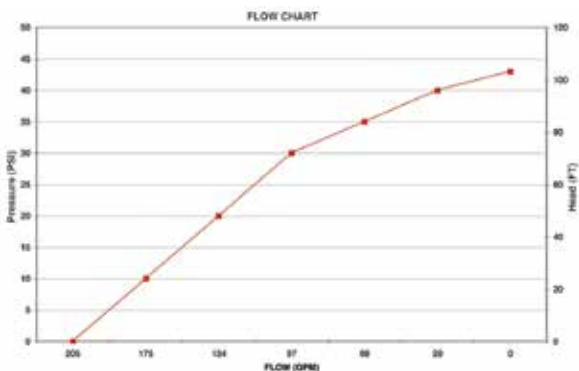
222 CAST IRON HYDRAULIC PUMPS			
PART NO	DESCRIPTION	HP	QTY
222PIHY	2" Cast Iron Pump w/12 HP Hydraulic Motor	12	1

Please see page 124 for spool valve & diagram.



REPLACEMENT PARTS 222 CAST IRON PUMPS W/GAS ENGINES			
ITEM	PART NO	DESCRIPTION	QTY
1	12882A	Bearing Pedestal Assembly	1
1	12600B	Hydraulic Pedestal Assembly	1
2	17010	1/2" Jam Nut	1
3	15022	Handle	1
4	12765A	5/16" - 24 x 1.12 Impeller Bolt	1
5	13778	O-Ring	2
6	13777	3/4" Plug	2
7	V10118	5/16" Lock Washer	9
8	15772	5 Vane Impeller	1
9	12716	Pump Slinger	1
10	12715A	5/16" - 24 x 1.75 HHCS	13
11	12774VA	Impeller Bolt Gasket	1
12	12719A	Body O-Ring	1
13	12705	Check Valve	1
14	15702	Volute	1
15	15703	Rear Bracket	1
16	12902A	3/16" sq x 5/8" Key	1
17	12901	5/16" Flat Washer	4
18	12710	O-Ring	1

REPLACEMENT PARTS 222 CAST IRON PUMPS W/GAS ENGINES			
ITEM	PART NO	DESCRIPTION	QTY
19	12717	O-Ring	4
20	12713V	Seal Assembly	1
20	12713SD	Severe Duty Seal	1
21	15712	Body	1
22	17013	Flange Gasket	2
23	17000	Threaded Flange	2
24	17019	5/16" - 18 x 0.75 HHCS	8
25	V10118	5/16" Lock Washer	8
N/S	12099	7/16" - 14 x 1.25" HHCS	1
N/S	15751	Bracket Shim	1
N/S	15752	Impeller Shim	1
N/S	17033	Z-Rails	1pr
N/S	17034	5/16" - 18 x 1 3/4" Zinc Plated	4
N/S	V10119	5/16" - 18 Hex Nut	4
N/S	V10118	5/16" Lock Washer	4
N/S	15000	Repair Kit (Items 5, 8, 11-12, 18-20, 12099, 15751 & 15752)	1
N/S	15000V	FKM (viton type) Repair Kit	1
N/S	15999	Seal Kit (Items 5, 11-12, 18-20, 12099, 15751 & 15752)	1
N/S	15999V	FKM (viton type) Seal Kit	1



KITS 222 CAST IRON PUMPS W/GAS ENGINES				
PART NO	REPAIR KIT NO	FKM(viton type) REPAIR KIT NO	SEAL KIT EPDM NO	SEAL KIT FKM NO
222PIH5	15000	15000V	15999	15999V
222PIH6	15000	15000V	15999	15999V
222PIH5E	15000	15000V	15999	15999V
222PI6PRO	15000	15000V	15999	15999V
222POI	15000	15000V	15999	15999V
225POI	15000	15000V	15999	15999V
222PBI	15000	15000V	15999	15999V
222PIHY	15000	15000V	15999	15999V

SELF-PRIMING CENTRIFUGAL PUMPS

# 2" 222 Series Cast Iron Pumps with Electric Motors

## FEATURES

- Cast iron construction for rugged dependable service.
- Stainless steel shaft sleeve to protect engine shaft.
- Carbon ceramic seal with stainless steel cup and spring with FKM (viton type) rubber.
- Replaceable inlet and outlet flanges.
- Dynamically balanced impeller.
- Pump end separated from engine.
- Heavy duty slinger seal on motor shaft.
- Large weep holes between pump end and engine.
- "V" shaped for quicker priming.

**CAUTION-WARNING:** Please do not run pumps dry, restrict or reduce port sizes or dead head pumps. This could cause component failure to pump. No Flammables.

**DO NOT USE WITH FLAMMABLE LIQUIDS.**

**\*SHIPPING:** Truck shipments only.



222 SERIES CAST IRON PUMPS W/ELECTRIC MOTORS			
PART NO	DESCRIPTION	HP	QTY
222PIE5	2" Cast Iron Pump w/5.0 HP Three Phase Electric Motor	5.0	1
222PIE51	2" Cast Iron Pump w/5.0 HP Single Phase Electric Motor	5.0	1

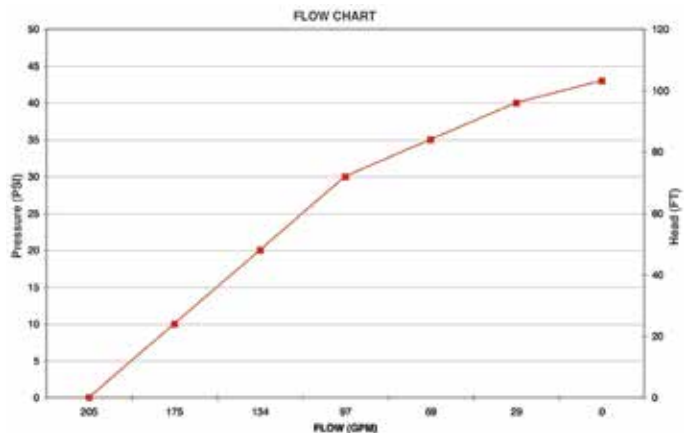
## COMPLETE PUMP WITH EFFICIENT INDUSTRIAL ELECTRIC MOTORS!

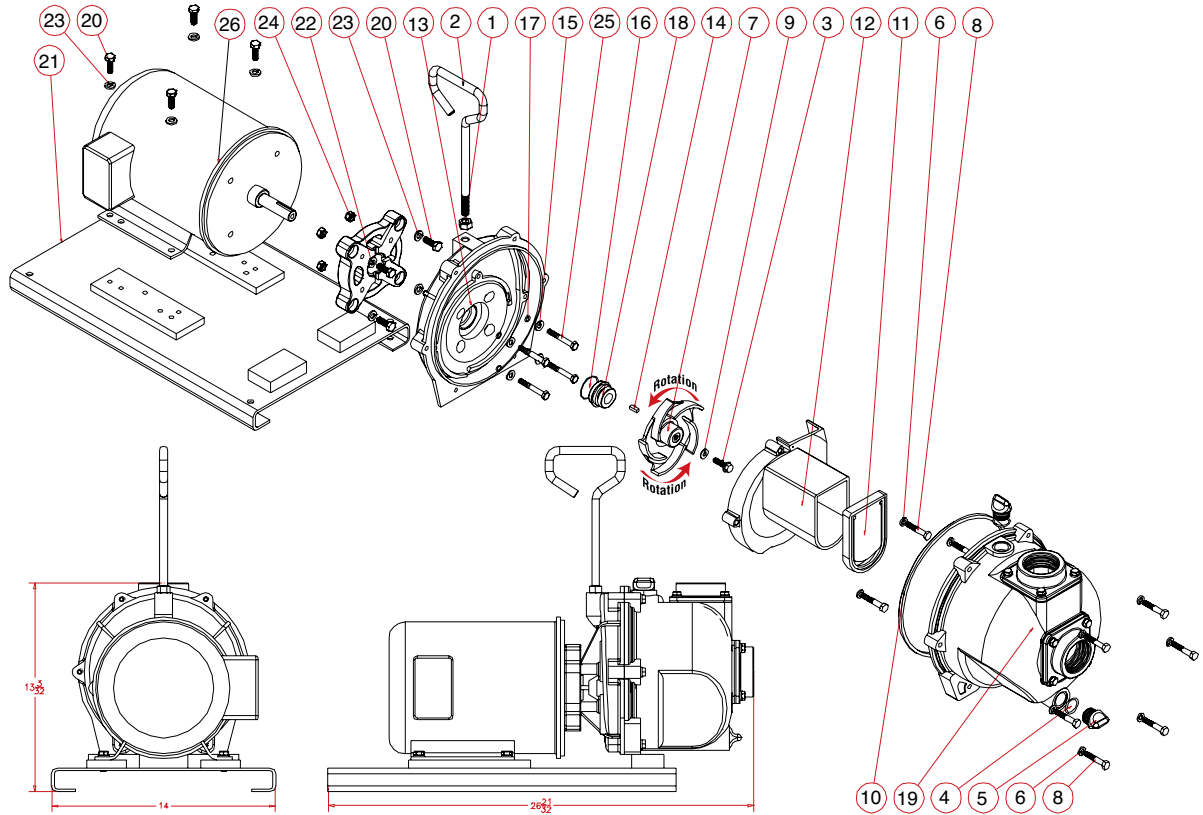
### MOTOR FEATURES:

- Pressure cast aluminum end plates with ribbed design for rigidity.
- Ball bearings, locked drive end bearing.
- Heavy gauge steel frame.
- Motors wound with inverter spike resistance magnet wire.
- Mounted complete on heavy duty cast iron base plate.
- 230 V Motors.



POLYETHYLENE SUCTION BASKET STRAINER		
PART NO	DESCRIPTION	QTY
200SBS	2" Female Thread Poly Basket	1
300SBS	3" Female Thread Poly Basket	1





REPLACEMENT PARTS 222 CAST IRON PUMPS W/ELECTRIC MOTORS			
ITEM	PART NO	DESCRIPTION	QTY
1	17010	1/2" Jam Nut	1
2	15022	Handle	1
6	12765A	5/16" - 24 x 1.12 Impeller Bolt	1
4	13778	O-Ring	2
5	13777	3/4" Plug	2
6	V10118	5/16" Lock Washer	9
7	15772	5 Vane Impeller	1
8	12715A	5/16" - 24 x 1.75 HHCS	13
9	12774VA	Impeller Bolt Gasket	1
10	12719A	Body O-Ring	1
11	12705	Check Valve	1
12	15702	Volute	1
13	15703	Rear Bracket	1
14	12902A	3/16" SQ. x 5/8" Key	1
15	12901	5/16" Flat Washer	4
16	12710	O-Ring	1
17	12717	O-Ring	4
18	12713V	Seal Assembly	1

REPLACEMENT PARTS 222 CAST IRON PUMPS W/ELECTRIC MOTORS			
ITEM	PART NO	DESCRIPTION	QTY
18	12713SD	Severe Duty Seal	1
19	15712	Body	1
20	17704	3/16" - 16 x 1.25 HHCS Bolt	8
21	17701	C-Faced Base Plate	1
22	12046	56C Adapter	1
23	V20018	3/8" Lock Washer	8
24	V20019	3/8" 16 SS Hex Nut	4
25	BF107	5/16" - 18 x 2 1/4" HHCS Bolt	4
26	BEM5-182CZ	5 HP 3450 RPM Three Phase Motor	1
26	BEM51-182CZ	5 HP 3450 RPM Single Phase Motor	1
N/S	12099	7/16"-14 x 1.25" HHCS	1
N/S	15751	Bracket Shim	1
N/S	15752	Impeller Shim	1
N/S	12756	Adapter Kit (Items 14, 20, 22, 23, 12052, 12053, 15751, 15752, 17029)	1
N/S	15000	Repair Kit (Items 4,7,9-11,14,16-18,12099,15751 & 15752)	1
N/S	15000V	FKM (viton type) Repair Kit	1
N/S	15999	Seal Kit (Items 4, 9-11, 14,16-18,12099,15751 & 15752)	1
N/S	15999V	FKM (viton type) Seal Kit	1

KITS 222 CAST IRON PUMPS W/ELECTRIC MOTORS				
PART NO	EPDM REPAIR KIT NO	FKM(viton type) REPAIR KIT NO	EPDM SEAL KIT NO	ADAPTER KIT
222PIE5	15000	15000V	15999	12756
222PIE51	15000	15000V	15999	12756

# 2" M222 Series Cast Iron Manifold Wet Seal Pumps

## FEATURES

- Durable cast iron construction.
- Dynamically balanced impeller.
- Carbon ceramic seal with stainless steel cup and spring with FKM (viton type) rubber.
- Pump end separated from engine.
- Large weep holes between pump end and engine or motor.
- "V" Shaped for quicker priming.



**DO NOT USE WITH FLAMMABLE LIQUIDS.**

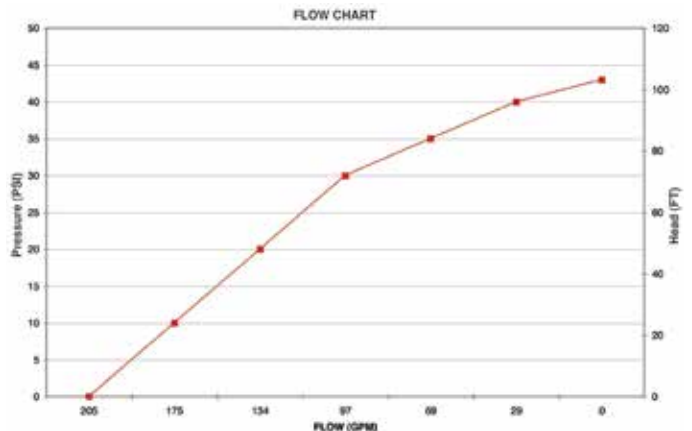
**NOTE:** Engine warranty service available at authorized Briggs & Stratton and Honda dealers.

**\*SHIPPING:** Truck shipments only.

2" MANIFOLD WET SEAL CI PUMPS W/GAS ENGINES				
PART NO	DESCRIPTION	HP	QTY	
M222PIH6W	2" Manifold Cast Iron Wet Seal Pump w/ 6.5 HP Honda® Engine	6.5	1	

2" MANIFOLD WET SEAL CI PUMPS W/ELECTRIC MOTORS				
PART NO	DESCRIPTION	HP	QTY	
M222PIE5W	2" Manifold Cast Iron Wet Seal Pump w/5 HP Three Phase Electric Motor	5	1	
M222PIE51W	2" Manifold Cast Iron Wet Seal Pump w/ 5 HP Single Phase Electric Motor	5	1	

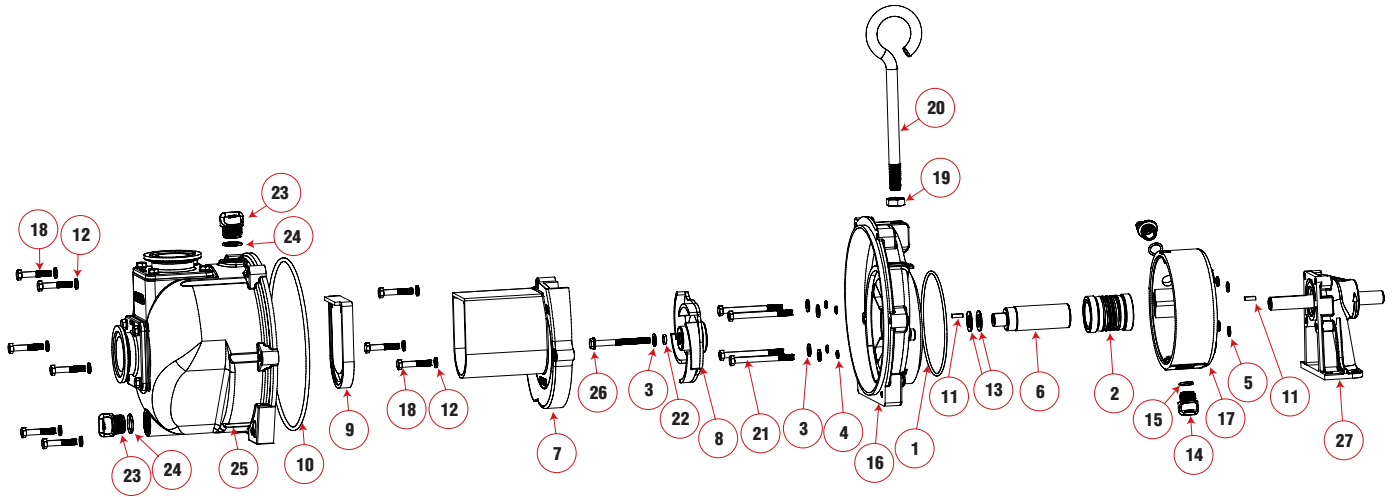
2" MANIFOLD WET SEAL CI PUMPS W/BEARING PEDESTAL				
PART NO	DESCRIPTION	HP	QTY	
M222PBIW	2" Manifold Cast Iron Wet Seal Pump w/Bearing Pedestal w/ 3/4 Shaft	N/A	1	



PUMPS







REPLACEMENT PARTS M222 WET SEAL CAST IRON PUMPS			
ITEM	PART NO	DESCRIPTION	QTY
1	13719	O-Ring	1
2	15035E	EPDM Mechanical Seal Assembly	1
3	12901	5/16" Flat Washer	4
4	12717	O-Ring for Bracket Screw	4
5	12709	O-Ring	4
6	15055	Adapter Shaft	1
7	15702	Volute	1
8	15772	5 Vane Impeller	1
9	12705	Check Valve	1
10	12719A	Body O-Ring	1
11	12902A	Impeller Key	2
12	V10118	5/16" Lock Washer	9
13	CV10175	Gasket	2
14	12777	1/2" Plug	2

REPLACEMENT PARTS M222 WET SEAL CAST IRON PUMPS			
ITEM	PART NO	DESCRIPTION	QTY
15	UV15163	O-Ring	2
16	15703W	Rear Bracket	1
17	15201W	Wet Seal Reservoir	1
18	12715A	5/16" - 24 x 1 3/4" HHCS	9
19	18034	5/8"-11 Jam Nut	1
20	18033	Pump Handle	1
21	V10117	5/16" - 18 x 3 1/2" HFS	4
22	A203V	O-Ring	1
23	13777	3/4" Plug	2
24	13778	O-Ring	2
25	M15712	Pump Body	1
26	12766	5/16" - 24 x 3 1/4" HFS	1
27	12882A	Bearing Pedestal	1

# 2" M222 Series Cast Iron Manifold Wet Seal Pumps with Hydraulic Motors

## FEATURES

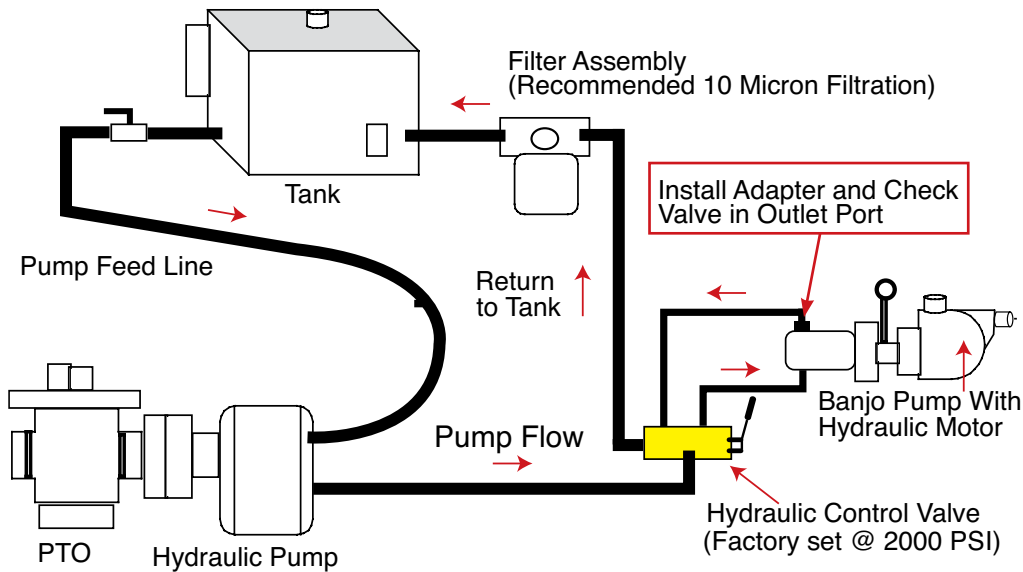
- Durable cast iron construction.
- Dynamically balanced impeller.
- Carbon ceramic seal with stainless steel cup and spring with FKM (viton type) rubber.
- Pump end separated from engine.
- Large weep holes between pump end and motor.
- "V" Shaped for quicker priming.

**DO NOT USE WITH FLAMMABLE LIQUIDS.**



2" MANIFOLD WET SEAL CI HYDRAULIC PUMP			
PART NO	DESCRIPTION	HP	QTY
M222PIHYW	2" Manifold Cast Iron Wet Seal Pump w/12 HP Hydraulic Motor	12	1

## SPOOL VALVE ASSEMBLY DIAGRAM

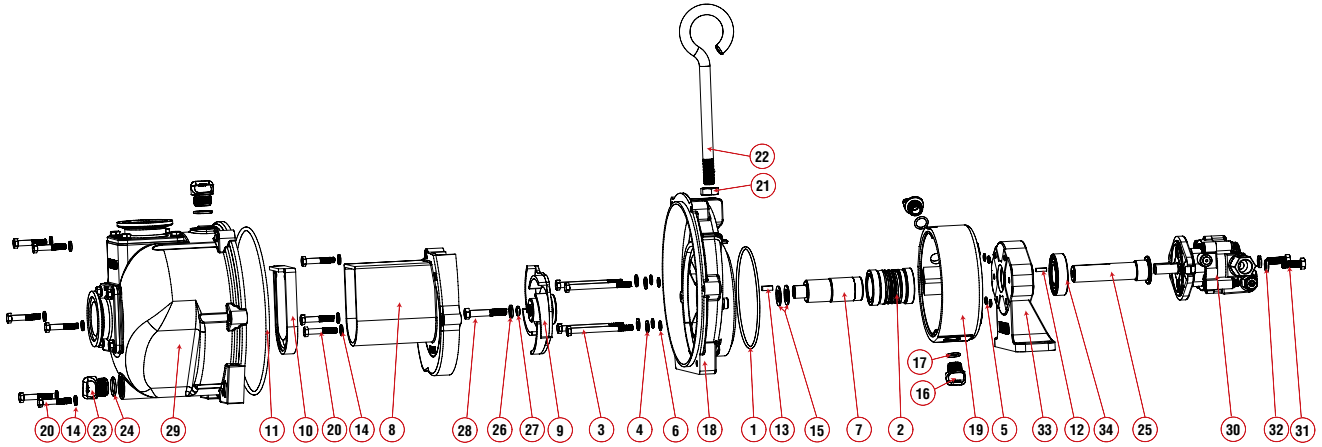


**Recommendation:**  
We recommend using the motor spool control valve or a suitable equivalent. The lack of such a valve in this circuit may cause failure to the hydraulic motor.



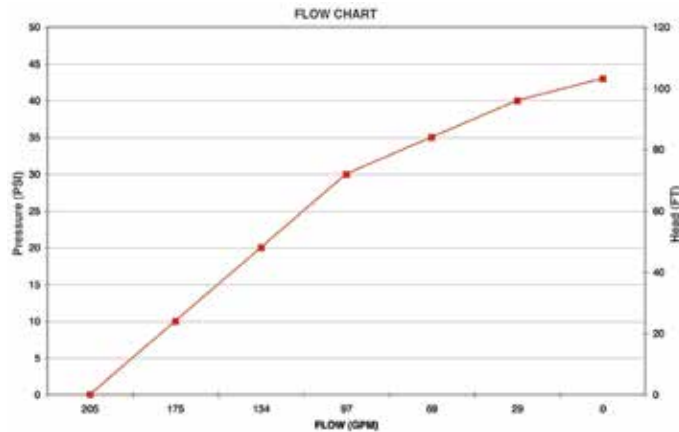
HYDRAULIC MOTOR SPOOL VALVE			
PART NO	DESCRIPTION	HP	QTY
HSV1000	Hydraulic Motor Spool Valve	N/A	1





HYDRAULIC MOTOR DATA	
U.S. Gallons/Rev.	0.0025
Cubic Inches/Rev.	0.580
Liters/Rev.	0.0097
Max Hydraulic Pressure	2000 PSI
Min Hydraulic Pressure	200 PSI
Inlet Port	SAE 10 (7/8-14 UNF-2B)
Outlet Port	SAE 10 (7/8-14 UNF-2B)
Minimum GPM Required	6 GPM 2400 RPM
Maximum GPM Required	10 GPM 4000 RPM
Ideal GPM Required	9 GPM 3600 RPM
CONNECTION INFORMATION	
Inlet	"A" Port
Outlet	"B" Port
Supplied check valve is to ensure proper rotation of the Banjo pump. Place check valve in outlet port (marked "B") for proper right hand rotation.	
SPOOL VALVE INFORMATION	
Required Outlet Flow	Min 8 GPM / Max 13 GPM
Required System Pressure	Min 600 PSI / Max 3000 PSI

REPLACEMENT PARTS M222 WET SEAL HYDRAULIC PUMP			
ITEM	PART NO	DESCRIPTION	QTY
1	13719	O-Ring	1
2	15035E	EPDM Mechanical Seal Assembly	1
3	13034	5/16" -24 x 3 3/4" HHCS	4
4	12901	SS Rear Bracket Washer	4
5	12717	O-Ring for Screw Head	4
6	12709	O-Ring	4
7	13055	Adapter Shaft	1
8	15702	Volute	1
9	15772	5 Vane Impeller	1
10	12705	Check Valve	1
11	12719A	Body O-Ring	1
12	12902A	Impeller Key	1
13	16901	1/4" SQ. 3/4" Key Stock	1
14	V10118	5/16" SS Lock Washer	9
15	CV10175	Gasket	2
16	12777	1/2" Plug	2
17	UV15163	Prime/Drain Plug O-Ring	1
18	15703W	Rear Bracket	1
19	15201W	Wet Seal Reservoir	1
20	12715A	SS Bracket Screws	9
21	18034	5/8" SS Jam Nut	1
22	18033	Handle	1
23	13777	3/4" Plug	2
24	13778	O-Ring	2
25	12055E	Hydraulic Motor Adapter Shaft	1
26	19766	3/8" Flat Washer	1
27	A203V	O-Ring	1
28	BF207	3/8" - 16 x 2 1/4" HHCS	1
29	M15712	Pump Body	1
30	HY1013	Gresen® Hydraulic Motor	1
31	18010SS	Bolt	2
32	V20018	Lock Washer	2
33	12049E	Hydraulic Pedestal Housing	1
34	17056E	Bearing	1



# 3" Cast Iron Pumps with Gas Engines

## FEATURES

- Cast iron construction for rugged dependable service.
- Stainless steel shaft sleeve to protect engine shaft.
- Carbon ceramic seal with stainless steel cup and spring with FKM (viton type) rubber.
- Replaceable inlet and outlet flanges.
- Dynamically balanced impeller.

**CAUTION-WARNING:** Please do not run pumps dry, restrict or reduce port sizes or dead head pumps. This could cause component failure to pump.

**DO NOT USE WITH FLAMMABLE LIQUIDS.**

**NOTE:** Engine warranty service available at authorized Briggs & Stratton and Honda dealers.

**\*SHIPPING:** Truck shipments only.



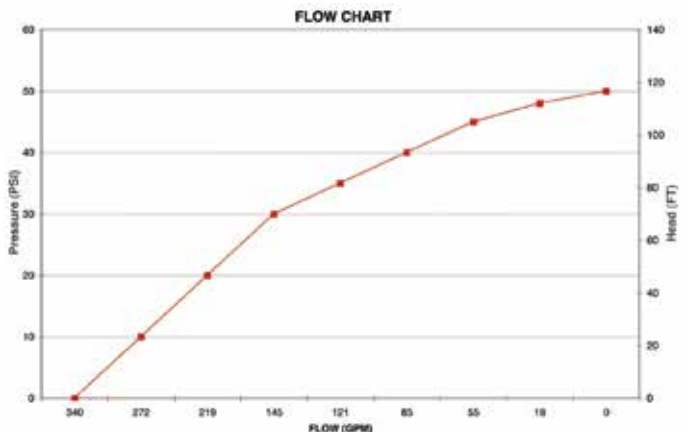
3" CAST IRON PUMPS W/GAS ENGINES			
PART NO	DESCRIPTION	HP	QTY
300PIH-8	3" Cast Iron Pump w/8 HP Honda® Engine w/Electric Start & Pull Rope	8	1
300PIH-11	3" Cast Iron Pump w/11 HP Honda® Engine w/Electric Start & Pull Rope	11	1
300PIH13	3" Cast Iron Pump w/13 HP Honda® Engine w/Electric Start & Pull Rope	13	1

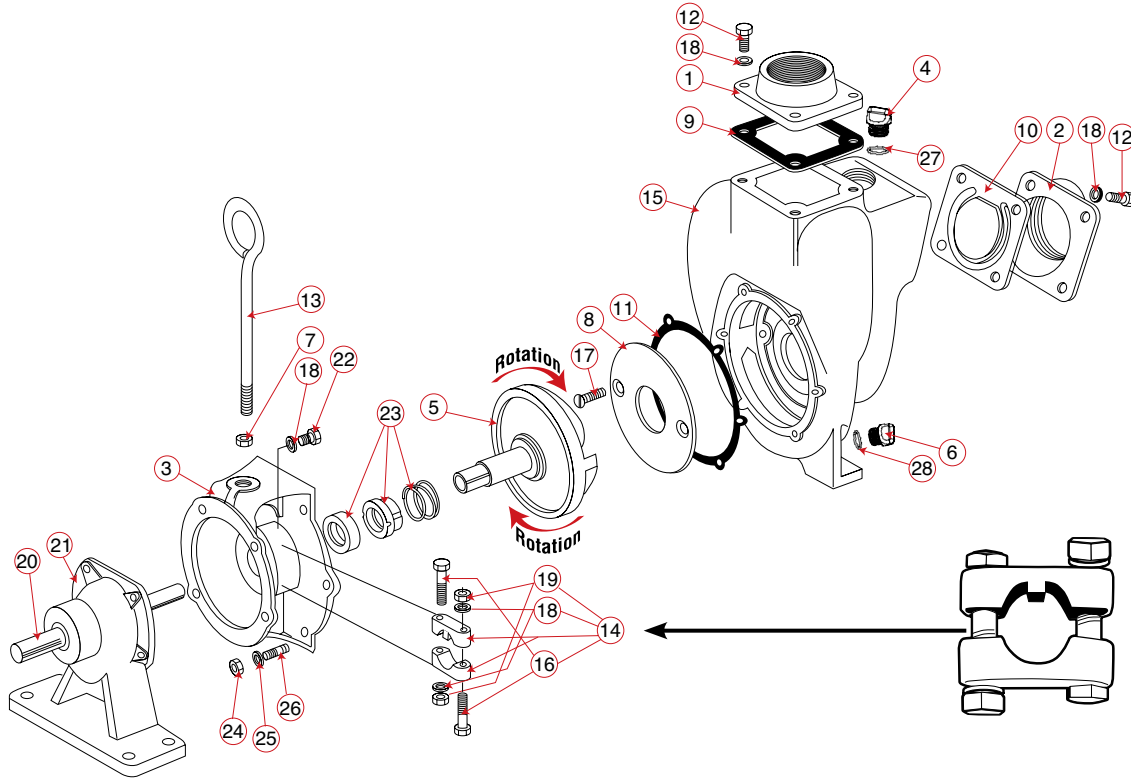


3" CAST IRON PUMP ONLY			
PART NO	DESCRIPTION	HP	QTY
300POI	3" Cast Iron Pump Only for 1" Shaft	N/A	1

3" CAST IRON BEARING PEDESTAL			
PART NO	DESCRIPTION	HP	QTY
300PBI	3" Cast Iron Bearing Pedestal w/1" Shaft	N/A	1

Note: \* Recommend: 7½ HP, 3450 RPM, 184TC Frame Size for close coupling to electric motors.





REPLACEMENT PARTS 3" CAST IRON PUMPS			
ITEM	PART NO	DESCRIPTION	QTY
1	18008	NPT Outlet Flange	1
1	M18008	3" Manifold Outlet Flange	1
2	18012	NPT Inlet Flange	1
2	M18012	3" Manifold Inlet Flange	1
3	18026	Adapter for Gas Engine & Bearing Pedestal	1
3	18048	C-Flange Adapter	1
3	18049	Hydraulic Motor Adapter	1
N/S	18055	Hydraulic Adapter Shaft	1
4	13777	3/4" Plug	1
5*	18023	1" Impeller & Drive Shaft for Gas Engine	1
5	18023-1.125	1 1/8" Impeller & Drive Shaft for Electric Motor	1
6	12777	1/2" Plug	1
7	18034	5/8" SS Jam Nut	1
8	18004	Wear Plate	1
9	18009	EPDM Outlet Gasket	1
10	18013	Gasket Check Valve Assembly	1
11	18021	Adapter Gasket	1
12	18010SS	3/8" - 16 x 1 1/8" SS Cap Screw HXHD	8
13	18033	Handle	1

REPLACEMENT PARTS 3" CAST IRON PUMPS			
ITEM	PART NO	DESCRIPTION	QTY
14	18029	Clamp Assembly (Old Style)	1
14	18129	Clamp Assembly (New Style)	1
15	18001	Pump Housing	1
16	18030	3/8" -24 x 2 1/4" Bolt	2
17	18106	Wear Plate Flat Head Screw	2
18	V20018	3/8" Lock Washer	8
19	18032	3/8" x 24 SS Hex Nut	2
20	18504	1" Shaft	1
21	18500	Bearing Pedestal	1
N/S	18502	Bearing SKF 66306-2RS1/C3	2
22	17704	Bolt	4
23*	18025	FKM (viton type) Seal Assembly	1
23	18025SD	Severe Duty Seal	1
24	V20019	3/8" 16 SS Hex Nut	6
25	V20018	3/8" SS Lock Washer	6
26	18218	3/8" -16 x 24 x 2 1/8" SS Stud	6
27	13778	O-Ring	1
28	UV15163	O-Ring	1
N/S	18035	Z-Rail Mounting Bracket (Pair)	1
N/S	18100	Repair Kit (Consist of items 5*, 8,11,17, 23*)	1



UNIVERSAL BASE PLATE ASSEMBLY		
PART NO	DESCRIPTION	QTY
18700	Base Plate Assembly for 1 1/2", 2" & 3" Cast Iron or Poly Pump (Plate, Coupling Guard, Bolt Bag & Shims)	1



POLYETHYLENE SUCTION BASKET STRAINER		
PART NO	DESCRIPTION	QTY
200SBS	2" Female Thread Poly Basket	1
300SBS	3" Female Thread Poly Basket	1

# 3" Cast Iron Wet Seal Pumps

## FEATURES

- New compact design!
- Run Dry Capability!
- Durable cast iron construction.
- Dynamically balanced impeller.
- Replaceable inlet & outlet flanges.
- Graphite loaded silicon carbide seal with stainless steel cup and spring with FKM (viton type) rubber.
- Pump end separated from engine.
- Double seal contained in ethylene glycol reservoir.
- 350 gallons per minute.
- 63 P.S.I. maximum pressure.



Seal reservoir  
Double Seals!



3" CAST IRON WET SEAL PUMPS W/GAS ENGINES			
PART NO	DESCRIPTION	HP	QTY
301PIH13W	3" Cast Iron Wet Seal Pump w/13 HP Honda® Engine w/ Electric Start & Pull Rope	13	1

**DO NOT USE WITH FLAMMABLE LIQUIDS.**

**NOTE:** Engine warranty service available at authorized Briggs & Stratton® and Honda® dealers.

**\*SHIPPING:** Truck shipments only.

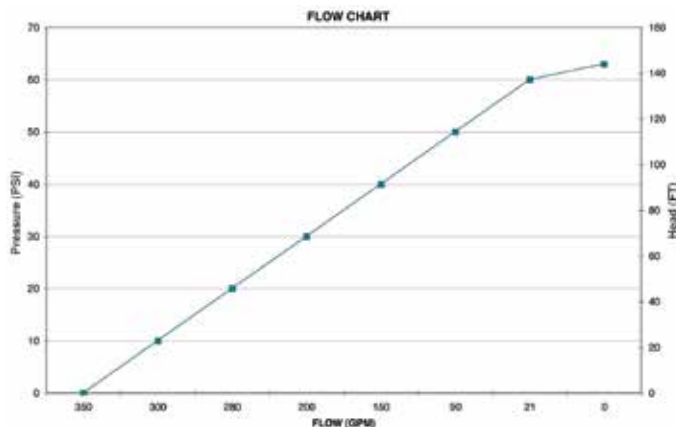


Bearing Pedestal  
1" shaft for electric motors

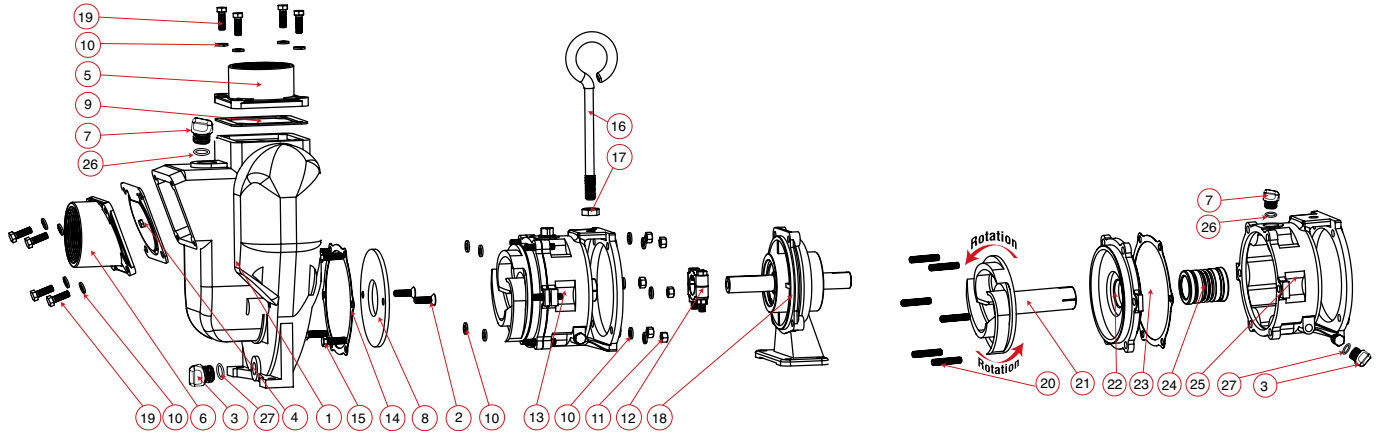
Pump Only  
for gas engine

3" CAST IRON WET SEAL BEARING PEDESTALS			
PART NO	DESCRIPTION	HP	QTY
301PBIW	3" Cast Iron Wet Seal Pump w/Bearing Pedestal	N/A	1

3" CAST IRON WET SEAL PUMP ONLYS			
PART NO	DESCRIPTION	HP	QTY
301POIW	3" Cast Iron Wet Seal Pump Only	N/A	1







REPLACEMENT PARTS 3" CAST IRON WET SEAL PUMPS			
ITEM	PART NO	DESCRIPTION	QTY
1	18001	Pump Housing	1
2	18106	Flat Head Socket Cap Screw	2
3	12777	1/2" Plug	2
4	18013	Inlet/Check EPDM Gasket	1
5	18008	NPT Outlet Flange	1
6	18012	NPT Inlet Flange	1
7	13777	3/4" Plug	2
8	18004	Wear Plate	1
9	18009	EPDM Outlet Gasket	1
10	V20018	3/8" Lock Washer	18
11	V20019	3/8" 16 SS Hex Nut	6
12	18129	Clamp Assembly Keyed	1
13	18200A	Wet Seal Assembly	1
14	18021	Adapter Gasket	1

REPLACEMENT PARTS 3" CAST IRON WET SEAL PUMPS			
ITEM	PART NO	DESCRIPTION	QTY
15	17704	3/8" -16 x 1 1/4" HHCS	4
16	18033	Handle	1
17	18034	5/8" -11 Jam Nut	1
18	18500	Bearing Pedestal	1
19	18010SS	3/8" - 16 x 1 1/8" HHCS	8
20	18218	3/8" -16 x 24 x 2 1/8" SS Stud	6
21	18206	Impeller	1
22	18202A	Cover Plate	1
23	18021	Adapter Gasket	1
24	15035E	EPDM Mechanical Seal Assembly	1
25	18203A	Wet Seal Reservoir	1
26	13778	O-Ring	2
27	UV15163	O-Ring	2

POLYETHYLENE SUCTION BASKET STRAINER		
PART NO	DESCRIPTION	QTY
200SBS	2" Female Thread Poly Basket	1
300SBS	3" Female Thread Poly Basket	1



\*See page 135 for available base plate.

# 3" Cast Iron Pumps with Hydraulic Motors

## PUMP FEATURES

- Rugged construction for dependable service.
- Carbon ceramic seal with stainless steel cup and spring with FKM (viton type) rubber.
- Replaceable inlet and outlet flanges.
- Dynamically balanced impeller.

## HYDRAULIC MOTOR

- Hydraulic fluid capacity  
Minimum 9 Gallons / Maximum 13 Gallons.
- 21 H.P. Motor.
- Open system.
- Minimum 600 P.S.I. / Maximum 3000 P.S.I.

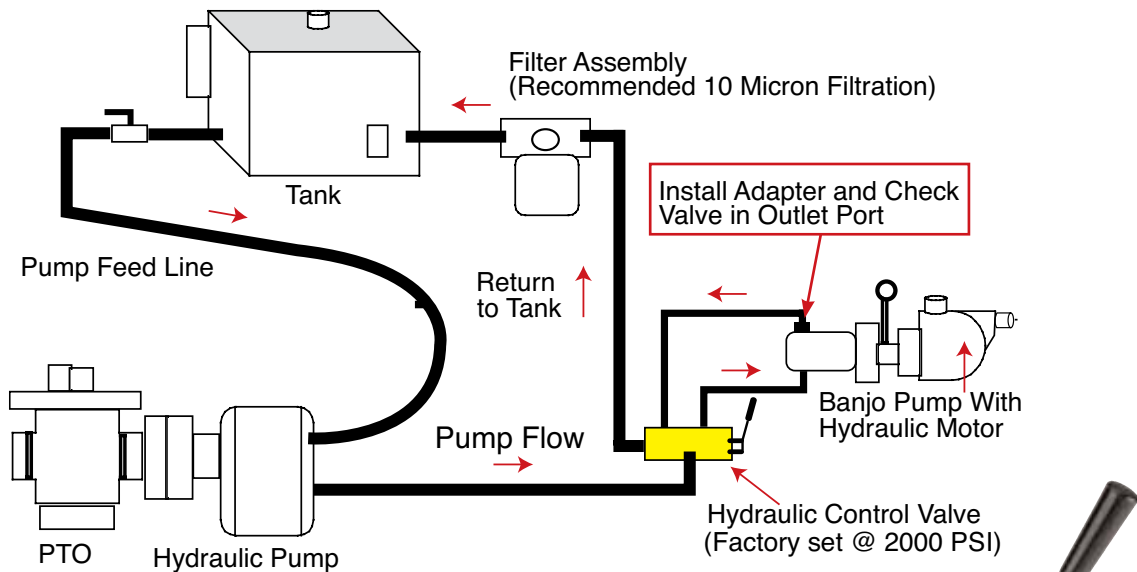
**CAUTION-WARNING:** Please do not run pumps dry, restrict or reduce port sizes or dead head pumps. This could cause component failure to pump.

**DO NOT USE WITH FLAMMABLE LIQUIDS.**



3" CAST IRON HYDRAULIC PUMPS			
PART NO	DESCRIPTION	HP	QTY
300PIHY	3" Cast Iron Pump w/21 HP Hydraulic Motor	21	1

## SPOOL VALVE ASSEMBLY DIAGRAM

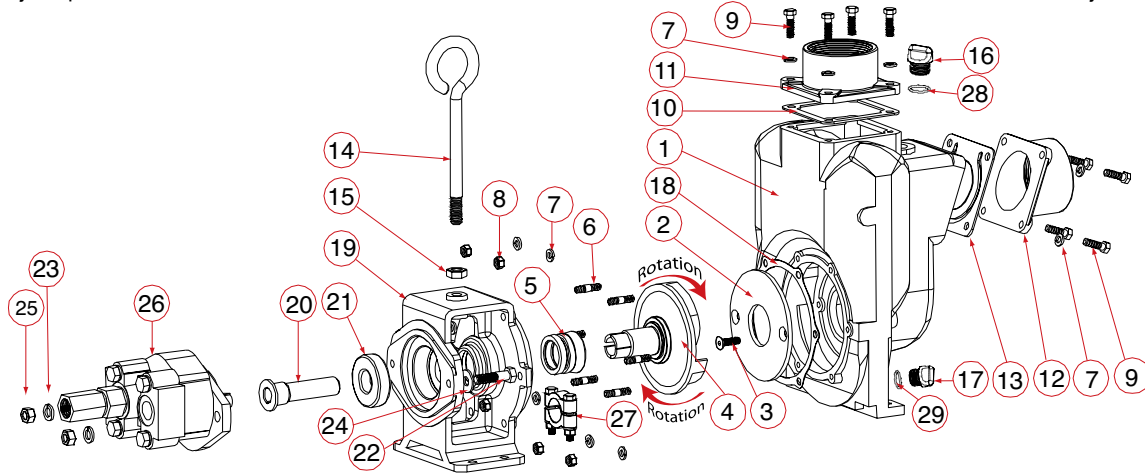


**Recommendation:**  
We recommend using the motor spool control valve or a suitable equivalent. The lack of such a valve in this circuit may cause failure to the hydraulic motor.



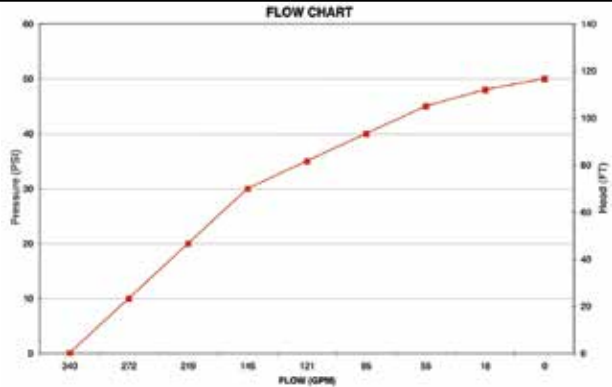
HYDRAULIC MOTOR SPOOL VALVE			
PART NO	DESCRIPTION	HP	QTY
HSV1000	Hydraulic Motor Spool Valve	N/A	1



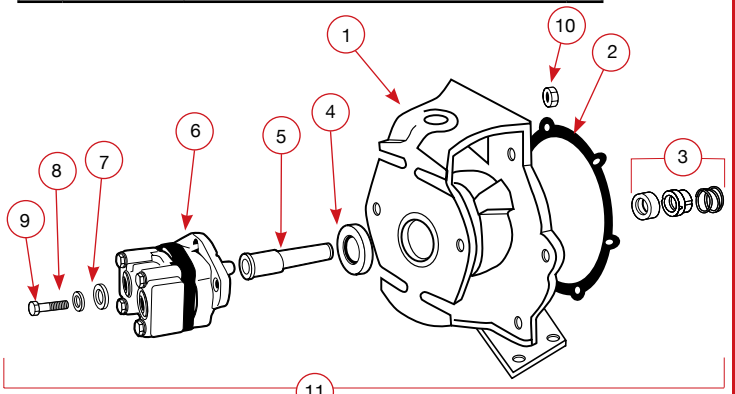


HYDRAULIC MOTOR DATA	
U.S. Gallons/Rev.	0.0038
Cubic Inches/Rev.	0.878
Liters/Rev.	0.0144
Max Hydraulic Pressure	3000 PSI
Min Hydraulic Pressure	600 PSI
Inlet Port	1-1/16-12UN-2B
Outlet Port	1-5/16-12UN-2B
Minimum GPM Required	9 GPM 2370 RPM
Maximum GPM Required	13 GPM 3450 RPM
Ideal GPM Required	9 GPM 3600 RPM
CONNECTION INFORMATION	
Inlet	"A" Port
Outlet	"B" Port
Supplied check valve is to ensure proper rotation of the Banjo pump. Place check valve in outlet port (marked "B") for proper right hand rotation. It is recommended that a minimum 3/4" inlet line & a minimum 1" outlet line be used. The outlet port must be connected directly back to the hydraulic fluid reservoir & not to any valving, regulators or flow diverters. The outlet port/return line back pressure must not exceed 250 PSI.	
SPOOL VALVE INFORMATION	
Required Outlet Flow	Min 9 GPM / Max 13 GPM
Required System Pressure	Min 600 PSI / Max 3000 PSI

REPLACEMENT PARTS 3" CAST IRON HYDRAULIC PUMPS			
ITEM	PART NO	DESCRIPTION	QTY
1	18001	Pump Housing	1
2	18004	Wear Plate	1
3	18106	3/8" - 16 x 1.25" HHCS	2
4	18023	Impeller & Drive Shaft	1
5	18025	FKM (viton type) Mechanical Seal	1
5	18025SD	Severe Duty Seal	1
6	18218	3/8" - 16 x 24 x 2 1/8" SS Stud	6
7	V20018	3/8" Lock Washer	14
8	V20019	3/8" 16 SS Hex Nut	6
9	18010SS	3/8" - 16 x 1.25" HHCS	8
10	18009	EPDM Outlet Gasket	1
11	18008	NPT Outlet Flange	1
12	18012	NPT Inlet Flange	1
13	18013	Inlet/Check EPDM Gasket	1
14	18033	Handle	1
15	18034	5/8" - 11 Hex Nut	1
16	13777	3/4" Plug	1
17	12777	1/2" Plug	1
18	18021	Adapter Gasket	1
19	18049	Hydraulic Motor Adapter	1
20	18055	Hydraulic Adapter Shaft	1
21	18502	Bearing SKF 66306-2RS1/C3	1
22	18056	1/2" - 13 x 2" HHCS	2
23	18058	1/2" Split Washer	2
24	18059	1/2" Flat Washer	2
25	17010	1/2" - 13 Hex Nut	2
26	HY1012	UM16-45A-HX Hydraulic Motor Assembly	1
27	18029	Clamp Assembly Unkeyed	1
28	13778	O-Ring	1
29	UV15163	O-Ring	1
N/S	18100	Repair Kit (Consist of 2, 3, 4, 5, 18)	1



REPLACEMENT PARTS 3" HYDRAULIC ADAPTER			
ITEM	PART NO	DESCRIPTION	QTY
1	18049	C-Flange Hydraulic Motor Adapter	1
2	18021	Gasket Adapter	1
3	18025	Seal Assembly	1
4	18502	SKF 66306-2RS1/C3 Bearing	1
5	18055	Hydraulic Adapter Shaft Sleeve	1
6	HY1012	Tyrone® UM16 Hydraulic Motor	1
7	18059	1/2" Flat Washer	2
8	18058	1/2" Split Lock Washer	2
9	18056	1/2" - 13" x 2" HHCS Bolt	2
10	17010	1/2" Hex Nut	2
11	18600	Hydraulic Motor Adapter Assembly	1
N/S	HY1001	Repair Kit	1



SELF-PRIMING CENTRIFUGAL PUMPS

# 3" 333 Series Cast Iron Pumps

## FEATURES

- Durable cast iron construction.
- Dynamically balanced impeller.
- Replaceable inlet and outlet flanges.
- Graphite loaded silicon carbide seal with stainless steel cup and spring with FKM (viton type) rubber.
- Pump end separated from engine.
- Large weep holes between pump end and engine.
- "V" Shaped for quicker priming.

**CAUTION-WARNING:** Please do not run pump dry, restrict or reduce port sizes, or dead head pump. This could cause component failure to pump.

**DO NOT USE WITH FLAMMABLE LIQUIDS.**

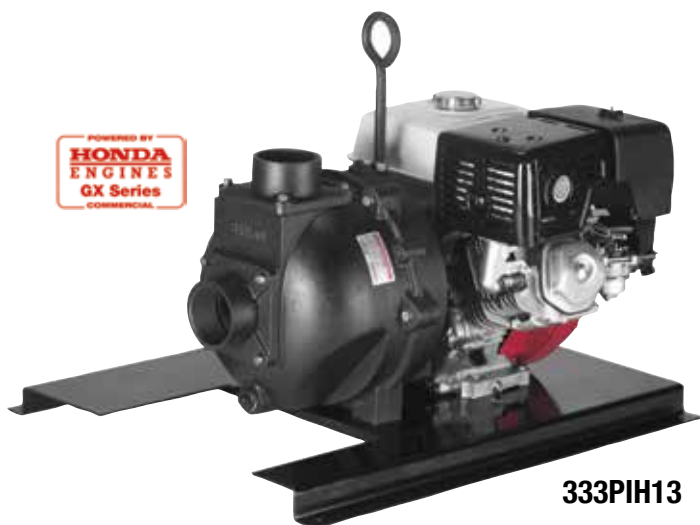
**NOTE:** Engine warranty service available at authorized Briggs & Stratton and Honda dealers.

**\*SHIPPING:** Truck shipments only.



333 SERIES CAST IRON PUMPS W/ELECTRIC MOTOR			
PART NO	DESCRIPTION	HP	QTY
333PIE15	3" Cast Iron Pump w/15 HP Three Phase Electric Motor	15	1

333 SERIES CAST IRON BEARING PEDESTAL			
PART NO	DESCRIPTION	HP	QTY
333PBI	3" Cast Iron Bearing Pedestal w/1" Shaft	N/A	1

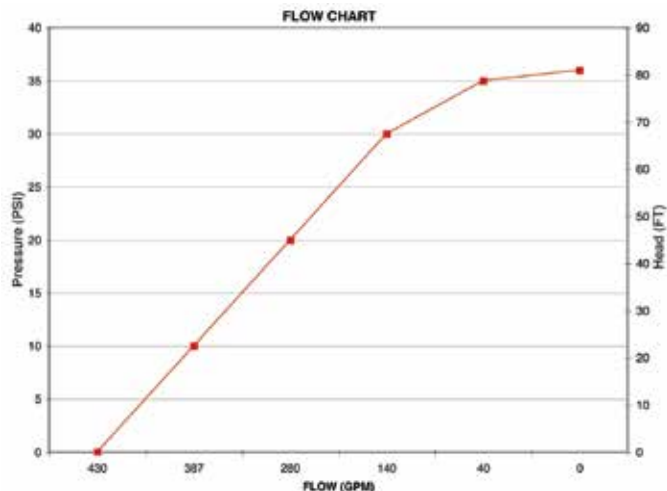


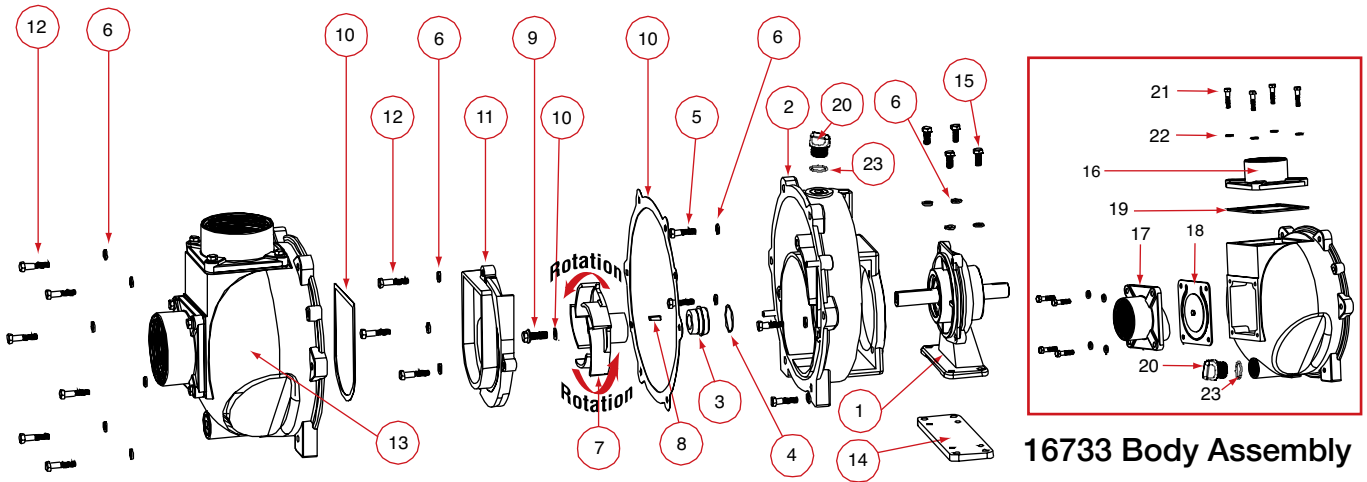
333PIH13

333 SERIES CAST IRON PUMPS W/GAS ENGINE			
PART NO	DESCRIPTION	HP	QTY
333PIH13	3" Cast Iron Pump w/13 HP Honda® Engine w/ electric Start & Pull Rope	13	1



333 SERIES CAST IRON PUMP ONLY			
PART NO	DESCRIPTION	HP	QTY
333POI	3" Cast Iron Pump Only w/1" Shaft & 5 Vane Impeller Unassembled	N/A	1
333POICF	3" Cast Iron Pump Only w/1 3/8" Shaft & 5 Vane Impeller Unassembled for 215TC Frame	N/A	1





REPLACEMENT PARTS 333PIH13 & 333PBI			
ITEM	PART NO	DESCRIPTION	QTY
N/S	16099	Impeller Removal Bolt	1
1	18500	Bearing Pedestal (333PBI)	1
2	16704	Rear Bracket	1
3	16713	Mechanical Seal	1
4	16710	O-Ring	1
5	17704	3/8" - 16 x 1.25" SS Cap Screw (333PBI)	4
6	V20018	3/8" SS Lock Washer	17
7	16773	3" Impeller (333PBI)	1
7	16774	3" Impeller (333PIH13 & 333POI)	1
8	16901	1/4" SQ. 3/4" Key Stock	1
9	16765	Impeller Bolt (333PBI)	1
9	13765	Impeller Bolt (333PIH13)	1
10	16019	Gasket Set	1
11	16702	Volute	1
12	V20011SS	3/8" - 16 x 1.75" SS Bolt	9
13	16733	Body	1
14	18511	Adapter Plate (333PBI)	1
15	18512	3/8" - 16 x 0.875" SS HHCS (333PBI)	4
N/S	16751	Bracket Shim Set	1
N/S	16752	Impeller Shim	1
N/S	18033	Handle	1
N/S	18034	5/8" SS Jam Nut	1
16	16001	Outlet Flange	1
17	16003	Inlet Flange	1
18	16706	FKM (viton type) Inlet Gasket w/ Check	1
19	16011	FKM (viton type) Outlet Gasket	1
20	13777	3/4" Plug	2
21	18027	3/8" - 16 x 1.50" HHCS (333PIH13)	8
22	V20018	3/8" SS Lock Washer	8
23	13778	O-Ring	2

REPLACEMENT PARTS 333PIE15			
ITEM	PART NO	DESCRIPTION	QTY
N/S	16099	Impeller Removal Bolt	1
2	16704A	Rear Bracket w/C-Face Adapter	1
3	15025	Mechanical Seal	1
6	V20018	3/8" SS Lock Washer	8
7	16773A	3" Impeller - 5 Vane	1
8	17901	1/4" SQ. 3/4" Key Stock	1
9	16765	7/16-20 1 1/4" HFS	1
10	16019	Gasket Set	1
11	16702	Volute	1
12	V20011SS	3/8" - 16 x 1.75" SS Bolt	9
13	16733	Body	1
N/S	16751	Bracket Shim Set	1
N/S	16752	Impeller Shim	1
N/S	18033	Handle	1
N/S	18034	5/8" SS Jam Nut	1
16	16001	Outlet Flange	1
17	16003	Inlet Flange	1
18	16706	FKM (viton type) Inlet Gasket w/ Check	1
19	16011	FKM (viton type) Outlet Gasket	1
20	13777	3/4" Plug	2
21	18027	3/8" - 16 x 1.50" HHCS	8
22	V20018	3/8" SS Lock Washer	4
23	13778	O-Ring	2

# 3" M332 Series Cast Iron Manifold Wet Seal Pumps

## FEATURES

- Durable cast iron construction.
- Dynamically balanced impeller.
- Carbon ceramic seal with stainless steel cup and spring with FKM (viton type) rubber.
- Pump end separated from engine.
- Large weep holes between pump end and engine or motor.
- "V" Shaped for quicker priming.

**DO NOT USE WITH FLAMMABLE LIQUIDS.**



3" MANIFOLD WET SEAL CI PUMPS W/GAS ENGINES			
PART NO	DESCRIPTION	HP	QTY
M332PIH13W	3" Manifold Cast Iron Wet Seal Pump w/13 HP Honda® Engine w/Electric Start & Pull Rope	13	1

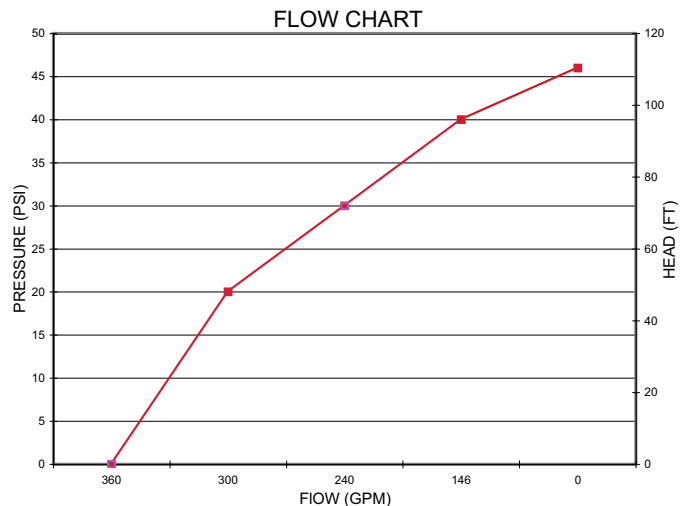
**NOTE:** Engine warranty service available at authorized Briggs & Stratton and Honda dealers.

**\*SHIPPING:** Truck shipments only.

3" MANIFOLD WET SEAL CI PUMPS W/ELECTRIC MOTORS			
PART NO	DESCRIPTION	HP	QTY
M332PIE10W	3" Manifold Cast Iron Wet Seal Pump w/10HP Three Phase Electric Motor	10	1
M332PIE101W	3" Manifold Cast Iron Wet Seal Pump w/10HP Single Phase Electric Motor	10	1

3" MANIFOLD WET SEAL CAST IRON PUMP ONLY			
PART NO	DESCRIPTION	HP	QTY
M332POIW	3" Manifold Cast Iron Wet Seal Pump Only	N/A	1

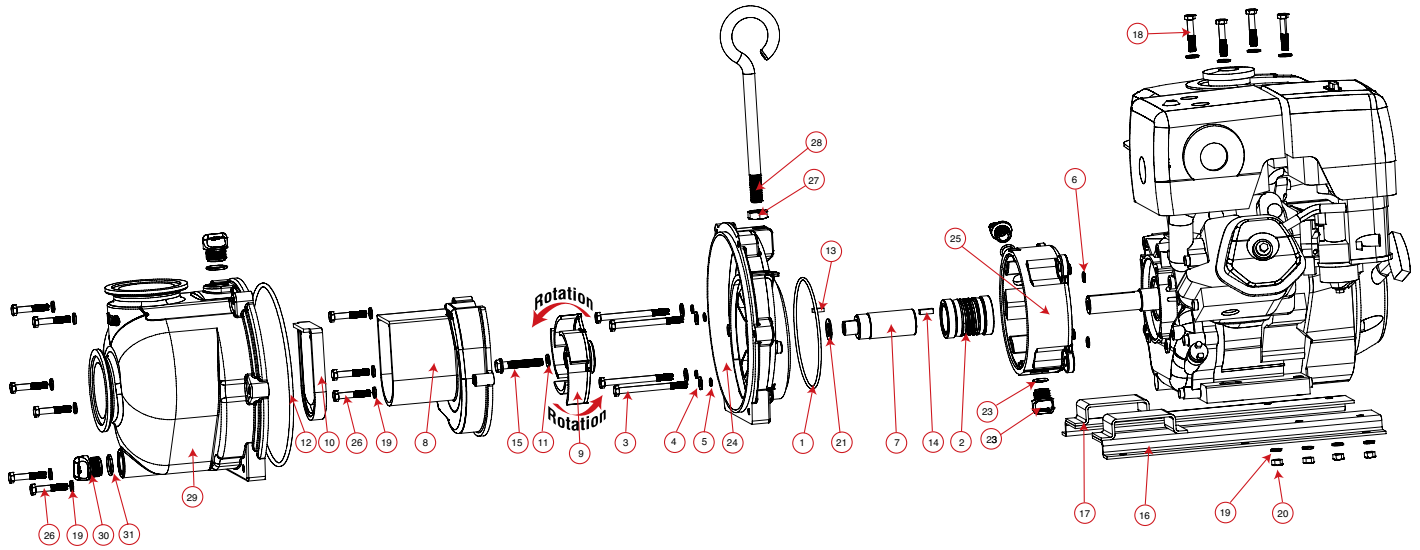
3" MANIFOLD WET SEAL CAST IRON BEARING PEDESTAL			
PART NO	DESCRIPTION	HP	QTY
M332PBIW	3" Manifold Cast Iron Wet Seal Bearing Pedestal w/ 1" Shaft	N/A	1



PUMPS







REPLACEMENT PARTS M332 WET SEAL CAST IRON PUMPS			
ITEM	PART NO	DESCRIPTION	QTY
1	13719	O-Ring	1
2	15035E	EPDM Mechanical Seal Assembly	1
3	13034	5/16" - 24 x 3/4" HHCS	4
4	12901	5/16" Flat Washer	8
5	12717	O-Ring for Bracket Screw	4
6	12709	O-Ring	4
7	13055	Adapter Shaft	1
8	19702	Volute	1
9	19772	5 Vane Impeller	1
10	12705	Check Valve	1
11	12774VA	Impeller Bolt Gasket	1
12	12719A	Body O-Ring	1
13	12902A	Impeller Key	1
14	16901	1/4" sq x 3/4" Key Stock	1
15	13766	3/8" - 24 x 2 1/4" HFS	1

REPLACEMENT PARTS M332 WET SEAL CAST IRON PUMPS			
ITEM	PART NO	DESCRIPTION	QTY
16	18135B	Z-Rail	1
17	18135A	Z-Rail	1
18	17029	5/16" - 18 x 1 3/4" HHCS	4
19	V10118	5/16" Lock Washer	13
20	V10119	5/16" Hex Nut	4
21	CV10175	Gasket	2
22	12777	1/2" Plug	2
23	UV15163	O-Ring	2
24	19703W	Rear Bracket	1
25	19201W	Wet Seal Reservoir	1
26	12715A	5/16" - 24 x 1 3/4" HHCS	9
27	18034	5/8"-11 Jam Nut	1
28	18033	Pump Handle	1
29	M19712X	Pump Body	1
30	13777	3/4" Plug	2
31	13778	O-Ring	2

# 3" M332 Series Cast Iron Manifold Wet Seal Pumps with Hydraulic Motors

## FEATURES

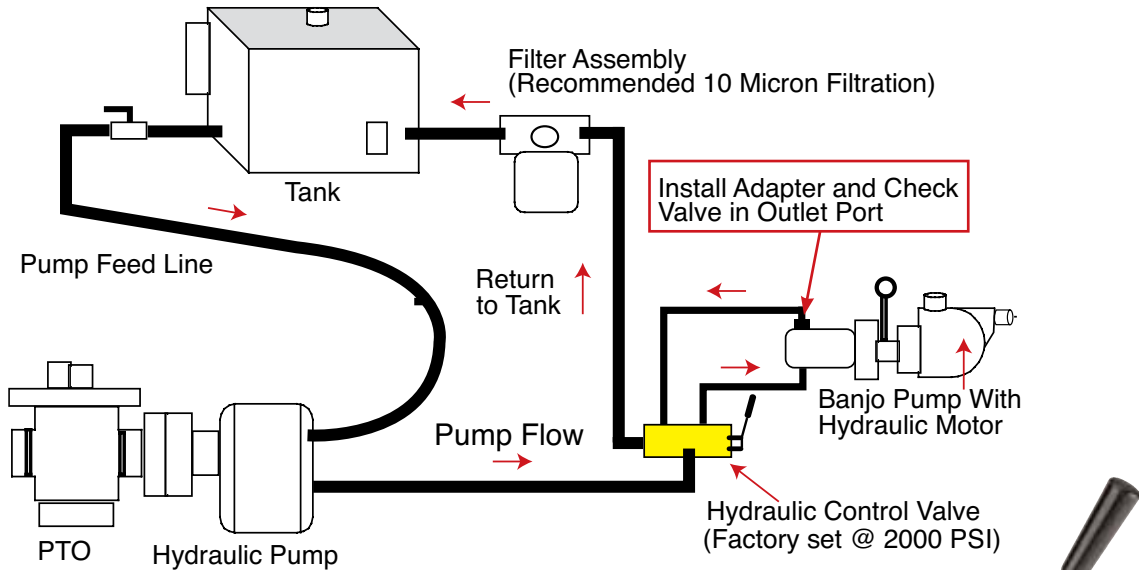
- Durable cast iron construction.
- Dynamically balanced impeller.
- Carbon ceramic seal with stainless steel cup and spring with FKM (viton type) rubber.
- Pump end separated from engine.
- Large weep holes between pump end and motor.
- "V" Shaped for quicker priming.

**DO NOT USE WITH FLAMMABLE LIQUIDS.**



3" MANIFOLD WET SEAL CI HYDRAULIC PUMP			
PART NO	DESCRIPTION	HP	QTY
M332PIHYW	3" Manifold Cast Iron Wet Seal Pump w/21 HP Hydraulic Motor	21	1

## SPOOL VALVE ASSEMBLY DIAGRAM

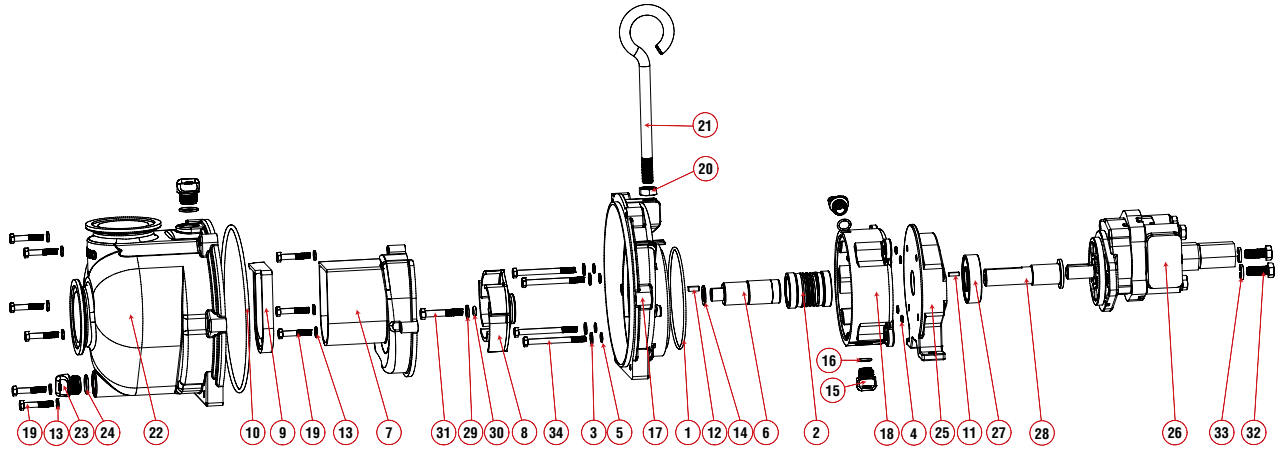


**Recommendation:**  
We recommend using the motor spool control valve or a suitable equivalent. The lack of such a valve in this circuit may cause failure to the hydraulic motor.



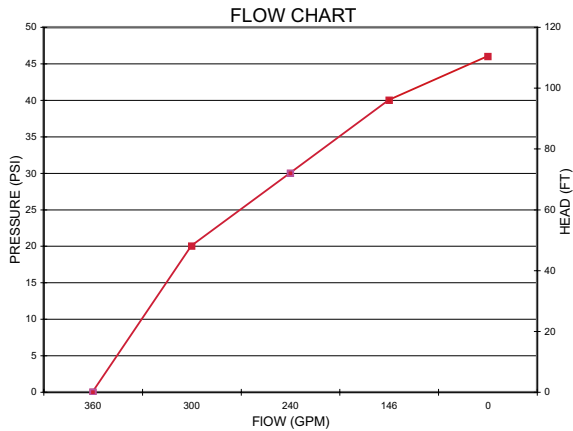
HYDRAULIC MOTOR SPOOL VALVE			
PART NO	DESCRIPTION	HP	QTY
HSV1000	Hydraulic Motor Spool Valve	N/A	1





HYDRAULIC MOTOR DATA	
U.S. Gallons/Rev.	0.0038
Cubic Inches/Rev.	0.878
Liters/Rev.	0.0144
Max Hydraulic Pressure	3000 PSI
Min Hydraulic Pressure	600 PSI
Inlet Port	1-1/16-12UN-2B
Outlet Port	1-5/16-12UN-2B
Minimum GPM Required	9 GPM 2370 RPM
Maximum GPM Required	13 GPM 3450 RPM
Ideal GPM Required	9 GPM 3600 RPM
CONNECTION INFORMATION	
Inlet	"A" Port
Outlet	"B" Port
Supplied check valve is to ensure proper rotation of the Banjo pump. Place check valve in outlet port (marked "B") for proper right hand rotation. It is recommended that a minimum 3/4" inlet line & a minimum 1" outlet line be used. The outlet port must be connected directly back to the hydraulic fluid reservoir & not to any valving, regulators or flow diverters. The outlet port/return line back pressure must not exceed 250 PSI.	
SPOOL VALVE INFORMATION	
Required Outlet Flow	Min 9 GPM / Max 13 GPM
Required System Pressure	Min 600 PSI / Max 3000 PSI

REPLACEMENT PARTS M332 WET SEAL HYRAULIC PUMP			
ITEM	PART NO	DESCRIPTION	QTY
1	13719	O-Ring	1
2	15035E	EPDM Mechanical Seal Assembly	1
3	12901	SS Rear Bracket Washer	4
4	12717	O-Ring for Screw Head	4
5	12709	O-Ring	4
6	13055	Adapter Shaft	1
7	19702	Volute	1
8	19772	5 Vane Impeller	1
9	12705	Check Valve	1
10	12719A	Body O-Ring	1
11	12902A	Impeller Key	1
12	16901	1/4" SQ. 3/4" Key Stock	1
13	V10118	5/16" SS Lock Washer	9
14	CV10175	Gasket	2
15	12777	1/2" Plug	2
16	UV15163	Prime/Drain Plug O-Ring	2
17	19703W	Rear Bracket	1
18	19201W	Wet Seal Reservoir	1
19	12715A	SS Bracket Screws	9
20	18034	5/8" SS Jam Nut	1
21	18033	Handle	1
22	M19712X	Pump Body	1
23	13777	3/4" Plug	2
24	13778	O-Ring	2
25	19001H	Reservoir Backing Plate	1
26	HY1012	Tyrone® UM16 Hydraulic Motor	1
27	18502	SKF 63306-2RS1/C3 Bearing	1
28	18055H	Hydraulic Motor Adapter Shaft	1
29	19766	3/8" Flat Washer	1
30	A203V	O-Ring	1
31	BF207	3/8" - 16 x 2 1/4" HHCS	1
32	17449	Bolt	2
33	18058	1/2" Split Lock Washer	2
34	V10117	5/16" x 3 1/2" SS Body Bolt	4



# 4" 444 Series Cast Iron Pumps

## FEATURES

- Durable cast iron construction.
- Dynamically balanced impeller.
- Replaceable inlet and outlet flanges.
- Graphite loaded silicon carbide seal with stainless steel cup and spring with FKM (viton type) rubber.
- Pump end separated from engine.
- Large weep holes between pump end and engine.
- "V" Shaped for quicker priming.

**CAUTION-WARNING:** Please do not run pump dry, restrict or reduce port sizes, or dead head pump. This could cause component failure to pump.

**DO NOT USE WITH FLAMMABLE LIQUIDS.**

**NOTE:** Engine warranty service available at authorized Briggs & Stratton and Honda dealers.

**\*SHIPPING:** Truck shipments only.



444PIH24

## 444 SERIES CAST IRON PUMPS W/GAS ENGINES

PART NO	DESCRIPTION	HP	QTY
444PIH24	4" Cast Iron Pump w/24 HP Honda® Engine	24	1

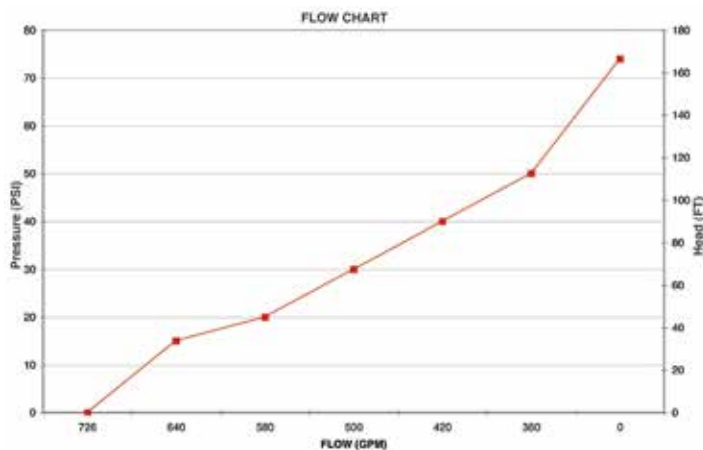
## 444 SERIES CAST IRON PUMP ONLY

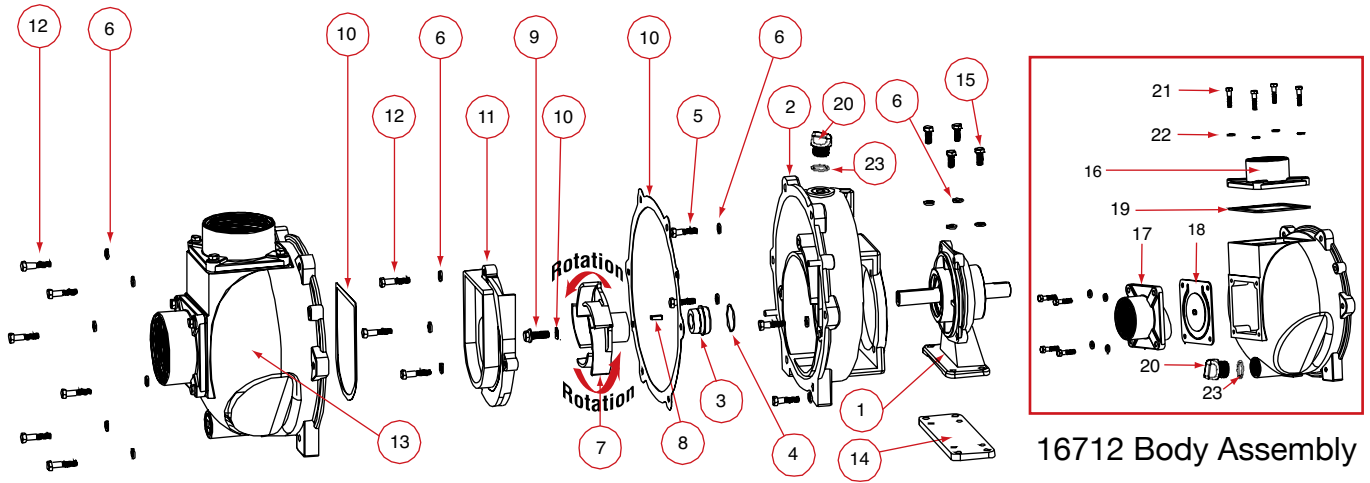
PART NO	DESCRIPTION	HP	QTY
444POI	4" Cast Iron Pump Only w/ 1 1/8" x 3 1/2" Shaft & 6 Vane Impeller Unassembled	N/A	1

Graphite Loaded Silicon Carbide Seal for Longer Seal Life.



Better Run Dry Capabilities!





REPLACEMENT PARTS 444PIH24 & 444POI			
ITEM	PART NO	DESCRIPTION	QTY
N/S	16099	Impeller Removal Bolt	1
2	16707	Rear Bracket	1
3	18435	Mechanical Seal	1
4	V10264	O-Ring	1
5	17704	3/8" - 16 x 1.25" SS Cap Screw	4
6	V20018	3/8" SS Lock Washer	13
7	16775	4" Impeller	1
8	16901	1/4" SQ. 3/4" Key Stock	1
9	16765	Impeller Bolt	1
10	16019	Gasket Set	1
11	16702	Volute	1
12	V20011SS	3/8" - 16 x 1.75" SS Bolt	9
13	16712	Body	1
N/S	16751	Bracket Shim Set	1
N/S	16752	Impeller Shim	1
N/S	18033	Handle	1
N/S	18034	5/8" SS Jam Nut	1
16	16000	Outlet Flange	1
17	16002	Inlet Flange	1
18	16706	Inlet Gasket w/ Check	1
19	16011	Outlet Gasket	1
20	13777	3/4" Plug	2
21	18027	3/8" - 16 x 1.50" HHCS	8
22	V20018	3/8" SS Lock Washer	8
23	13778	O-Ring	2

REPLACEMENT PARTS 444PBI			
ITEM	PART NO	DESCRIPTION	QTY
N/S	16099	Impeller Removal Bolt	1
1	18500	Bearing Pedestal	1
2	16703	Rear Bracket (444PBI)	1
3	16713	Mechanical Seal	1
4	16710	O-Ring	1
5	17704	3/8" - 16 x 1.25" SS Cap Screw	4
6	V20018	3/8" SS Lock Washer	17
7	16772	4" Impeller -5 Vane (444PBI)	1
7	16773	3" Impeller (433PBI)	1
8	16901	1/4" SQ. 3/4" Key Stock	1
9	16765	Impeller Bolt	1
10	16019	Gasket Set	1
11	16702	Volute	1
12	V20011SS	3/8" - 16 x 1.75" SS Bolt	9
13	16712	Body (444PBI)	1
14	18511	Adapter Plate	1
15	18512	3/8" - 16 x 0.875" SS HHCS	4
N/S	16751	Bracket Shim Set	1
N/S	16752	Impeller Shim	1
N/S	18033	Handle	1
N/S	18034	5/8" SS Jam Nut	1
16	16000	4" Outlet Flange (444PBI)	1
17	16002	Inlet Flange	1
18	16706	Inlet Gasket w/ Check	1
19	16011	Outlet Gasket	1
20	13777	3/4" Plug	2
21	18027	3/8" - 16 x 1.50" HHCS	8
22	V20018	3/8" SS Lock Washer	8
23	13778	O-Ring	2

# 2" 316 Stainless Steel Pumps with Gas Engines

## FEATURES

- Carbon ceramic seal consists of 316 stainless steel cup and spring with FKM (viton type) Elastomer.
- All 316 stainless steel wettable internal components:  
–Impeller –Sleeve –Wear plate –Fasteners
- 316 stainless steel housing.
- Dynamically balanced impeller.

**CAUTION-WARNING:** Please do not run pumps dry, restrict or reduce port sizes or dead head pumps. This could cause component failure to pump.

**DO NOT USE WITH FLAMMABLE LIQUIDS.**

**NOTE:** Engine warranty service available at authorized Briggs & Stratton and Honda dealers.

**\*SHIPPING:** Truck shipments only.



## 2" SS BEARING PEDESTAL PUMPS

PART NO	DESCRIPTION	HP	QTY
200PB-SS	2" SS Bearing Pedestal w/ 3/4" Straight Shaft*	N/A	1

Note: \* Straight shaft for long coupling to electric motors

## 2" STAINLESS STEEL PUMPS W/GAS ENGINES

PART NO	DESCRIPTION	HP	QTY
200PH5-SS	2" SS Pump w/5.5 HP Honda® Engine w/ Pull Rope Only	5.5	1
200P6PROSS	2" SS Pump w/6.5 HP Briggs & Stratton® Engine Pro Series w/Pull Rope Only	6.5	1

## 2" SS PUMP ONLYS

PART NO	DESCRIPTION	HP	QTY
200PO-SS	2" SS Pump Only w/ 3/4" Shaft Sleeve	N/A	1

## 2" SS C-FLANGE PUMPS

PART NO	DESCRIPTION	HP	QTY
200POSSCF5/8	2" SS C-Flange Pump w/ 5/8" Shaft Sleeve	N/A	1
200POSSCF7/8	2" SS C-Flange Pump w/ 7/8" Shaft Sleeve	N/A	1

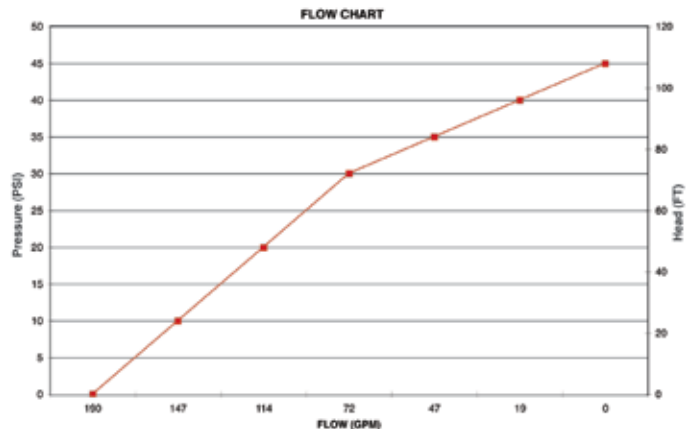
Note: Recommendation for 5/8" Shaft: 56C Frame Size, 3 HP, 3450 RPM, & 5" Max Impeller for close coupling to electric motors.

Recommendation for 7/8" Shaft: 145TC Frame Size, 3 HP, 3450 RPM, & 5" Max Impeller for close coupling to electric motors.

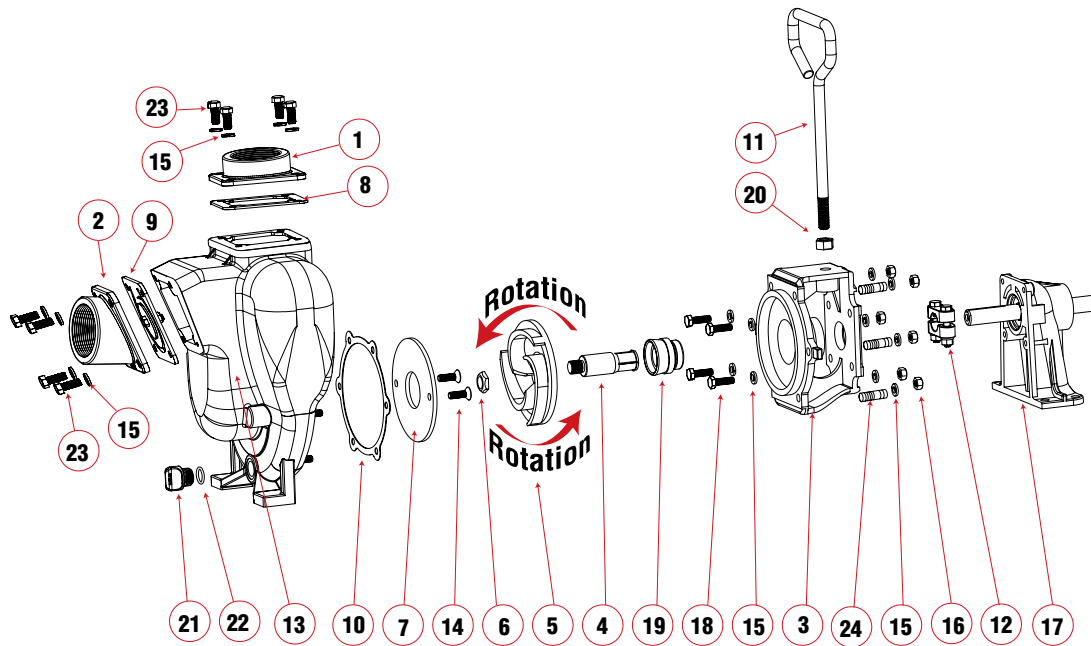


## UNIVERSAL BASE PLATE ASSEMBLY

PART NO	DESCRIPTION	QTY
18700	Base Plate Assembly for 1 1/2", 2" & 3" Cast Iron or Poly Pump (Plate, Coupling Guard, Bolt Bag & Shims)	1







REPLACEMENT PARTS 2" SS PUMPS			
ITEM	PART NO	DESCRIPTION	QTY
1	17000SS	SS Outlet Flange	1
2	17002SS	SS Inlet Flange	1
3	17004SS	SS Adapter for Gas Engine	1
3	17046SS	CF Adapter for Electric Motor	1
4	17005	5/8" SS Sleeve Drive	1
4	17006	3/4" SS Sleeve Drive	1
4	17007	7/8" SS Sleeve Drive	1
5	17008SS	SS Impeller	1
5	17008-4.1SS	4.1" SS Impeller	1
5	17008-4.6SS	4.6" SS Impeller	1
6	17009B	5/8" Impeller Nut	1
7	17011SS	SS Wear Plate	1
8	17014	FKM (viton type) Outlet Gasket	1
9	17017	FKM (viton type) Check Valve Assembly Gasket	1
10	17018	Adapter Gasket	1
11	15022	Handle	1

REPLACEMENT PARTS 2" SS PUMPS			
ITEM	PART NO	DESCRIPTION	QTY
12	17023	5/8" Clamp, 3/4" SS Shaft (Old Style)	1
12	17123	5/8" Clamp, 3/4" SS Shaft (Keyed Clamp)	1
12	17024	7/8" Clamp, 3/4" SS Shaft	1
13	17026SS	SS Pump Housing	1
14	17130SS	5/16-18 x 1.00" FHSCS, 316 SS	2
15	V10118	5/16" Lock Washer	18
16	V10119	5/16" -18 SS Hex Nut	6
17	12882A	Bearing Pedestal Assembly w/ 3/4" Shaft	1
18	17040	Bolt	4
19	17035SS	FKM (viton type) SS Seal Assembly	1
20	17010	1/2" - 24 x 1" HHCS	1
21	12777SS	1/2" Stainless Steel Plug	1
22	UV15163V	O-Ring FKM (viton type)	1
23	17019	5/16" - 18 x 3/4" Cap Screw	8
24	17042	Stud	6
N/S	17100SS	Pump Repair Kit(Consists of 4,5,7,10,14,19)	1

KITS 2" SS PUMPS		
PART NO	EPDM REPAIR KIT NO	EPDM SEAL KIT NO
200PH5-SS	17100SS	17035SS
200P6PROSS	17100SS	17035SS
200PB-SS	17100SS	17035SS
200PO-SS	17100SS	17035SS

# 2" Stainless Steel Pumps with Electric Motors

## FEATURES

- Stainless steel construction for rugged dependable service.
- Stainless steel shaft sleeve to protect engine shaft.
- Carbon ceramic seal with stainless steel cup and spring with FKM (viton type) rubber.
- Replaceable inlet and outlet flanges.
- Dynamically balanced impeller.

**CAUTION-WARNING:** Please do not run pumps dry, restrict or reduce port sizes or dead head pumps. This could cause component failure to pump.

**DO NOT USE WITH FLAMMABLE LIQUIDS.**

**NOTE:** Engine warranty service available at authorized Briggs & Stratton and Honda dealers.

**\*SHIPPING:** Truck shipments only.



2" SS PUMPS W/ELECTRIC MOTORS			
PART NO	DESCRIPTION	HP	QTY
234PE3SS	2" SS Pump w/3.0 HP Three Phase Electric Motor	3.0	1
234PE5SS	2" SS Pump w/5.0 HP Three Phase Electric Motor	5.0	1
234PE51SS	2" SS Pump w/5.0 HP Single Phase Electric Motor	5.0	1

## COMPLETE PUMP WITH EFFICIENT INDUSTRIAL ELECTRIC MOTORS!

### MOTOR FEATURES

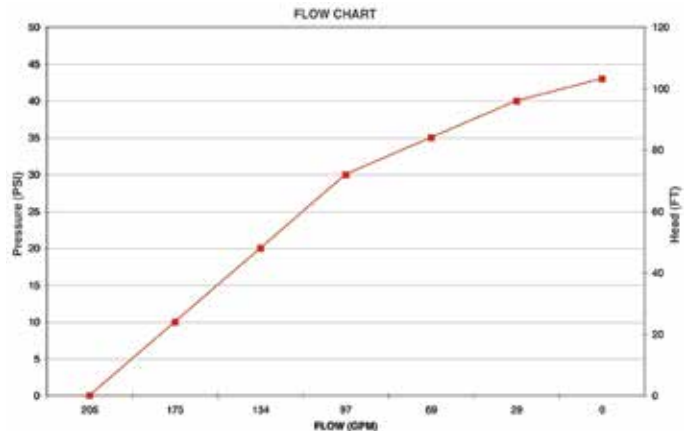
- Pressure cast aluminum end plates with ribbed design for rigidity.
- Ball bearings, locked drive end bearing.
- Heavy gauge steel frame.
- Motors wound with inverter spike resistance magnet wire.
- Mounted complete on heavy duty cast iron base plate.
- 230 V Motors.

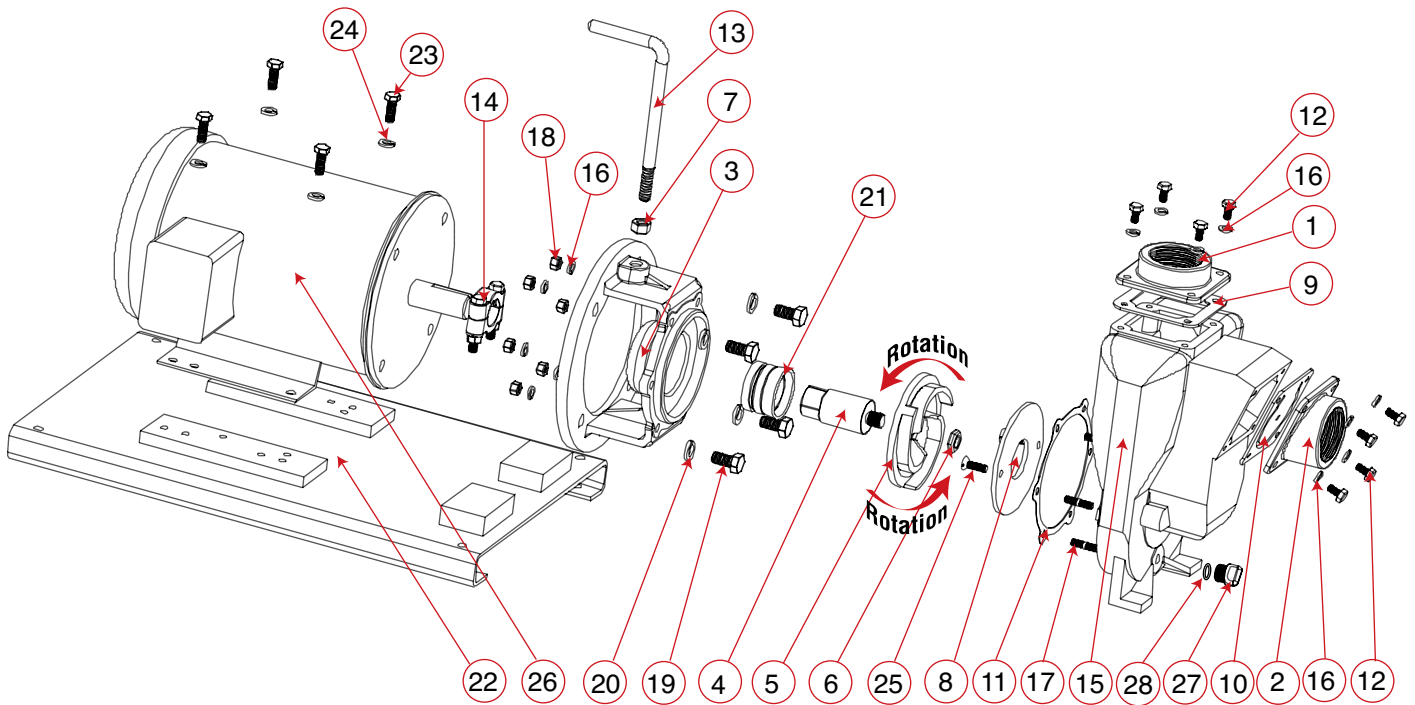


### POLYETHYLENE SUCTION BASKET STRAINER



PART NO	DESCRIPTION	QTY
200SBS	2" Female Thread Poly Basket	1
300SBS	3" Female Thread Poly Basket	1





REPLACEMENT PARTS 234PE3SS			
ITEM	PART NO	DESCRIPTION	QTY
1	17000SS	Outlet Flange	1
2	17002SS	Inlet Flange	1
3	17046SS	C-Flange Adapter	1
4	17007	Impeller Shaft	1
5	17008SS	Impeller	1
6	17009B	5/8" Impeller Nut	1
7	17010	1/2" Hex Nut	1
8	17011SS	Wear Plate	1
9	17014	FKM (viton type) Outlet Gasket	1
10	17017	FKM (viton type) Gasket & Check Valve	1
11	17018	Adapter Gasket	1
12	17019	Bolt	8
13	15022	Handle	1
14	17024	Clamp Assembly w/Key	1
15	17026SS	Pump Housing	1
16	V10118	5/16" Lock Washer	20
17	17042	Housing Stud	6
18	V10119	Hex Nut	8
19	17449	Bolt	4
20	18058	Washer	4
21	17035SS	Seal Assembly	1
22	17701	Base Plate Assembly	1
23	17704	Bolt	4
24	V20018	3/8" Lock Washer	4
25	17130SS	5/16-18 x 1.00" FHSCS, 316 SS	2
26	BEM3	Electric Motor	1
27	12777SS	1/2" Stainless Steel Plug	1
28	UV15163	O-Ring FKM (viton type)	1

REPLACEMENT PARTS 234PE5SS & 234PE51SS			
ITEM	PART NO	DESCRIPTION	QTY
1	17000SS	Outlet Flange	1
2	17002SS	Inlet Flange	1
3	17446SS	C-Flange Adapter	1
4	17406	Impeller Shaft	1
5	17408SS	Impeller	1
6	17009B	5/8" Impeller Nut	1
7	17010	1/2" Hex Nut	1
8	17011SS	Wear Plate	1
9	17014	FKM (viton type) Outlet Gasket	1
10	17017	FKM (viton type) Gasket & Check Valve	1
11	17018	Adapter Gasket	1
12	17019	Bolt	8
13	15022	Handle	1
14	18129	Clamp Assembly w/Key	1
15	17026SS	Pump Housing	1
16	V10118	5/16" Lock Washer	20
17	17042	Housing Stud	6
18	V10119	Hex Nut	8
19	17449	Bolt	4
20	18058	Washer	4
21	18025SS	Seal Assembly	1
22	17701	Base Plate Assembly	1
23	17704	Bolt	4
24	V20018	3/8" Lock Washer	4
25	17130SS	5/16-18 x 1.00" FHSCS, 316 SS	2
26	BEM5	Electric Motor	1
26	BEM51	Electric Motor	1
27	12777SS	1/2" Stainless Steel Plug	1
28	UV15163V	O-Ring FKM (viton type)	1

# 2" Stainless Steel Pumps with Hydraulic Motors

## PUMP FEATURES

- Rugged construction for dependable service.
- Carbon ceramic seal with stainless steel cup and spring with FKM (viton type) rubber.
- Replaceable inlet and outlet flanges.
- Dynamically balanced impeller.

## HYDRAULIC MOTOR FEATURES

- Hydraulic fluid capacity  
Minimum 6 Gallons / Maximum 10 Gallons.
- 12 H.P. Motor.
- Open or closed system.
- Minimum 500 P.S.I. / Maximum 2000 P.S.I.

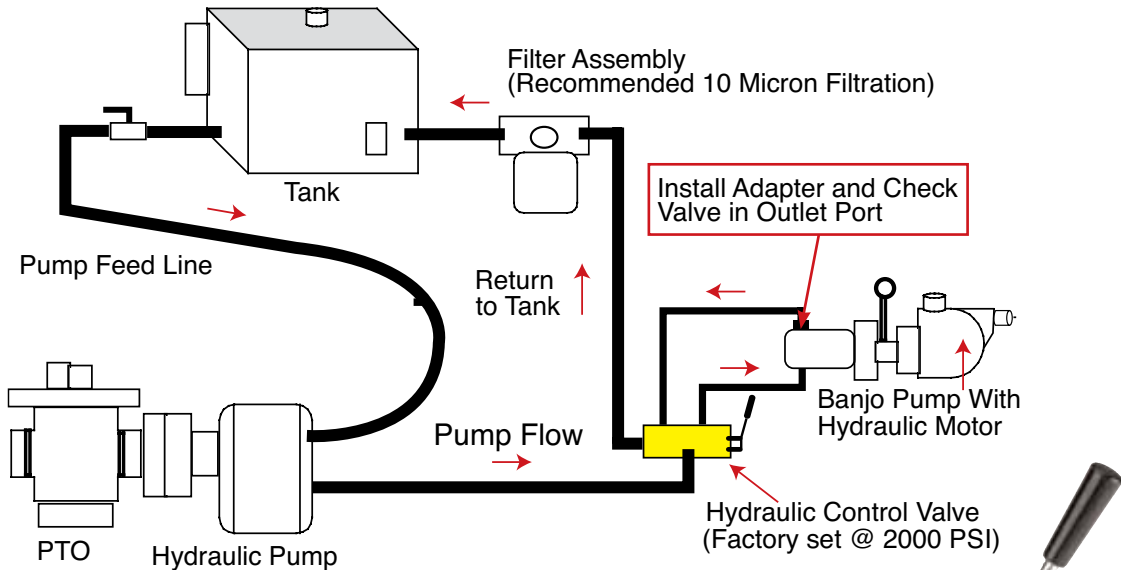
**CAUTION-WARNING:** Please do not run pumps dry, restrict or reduce port sizes or dead head pumps. This could cause component failure to pump.

**DO NOT USE WITH FLAMMABLE LIQUIDS.**



2" SS HYDRAULIC PUMPS			
PART NO	DESCRIPTION	HP	QTY
200PHYSS	2" SS Pump w/12 HP Hydraulic Motor	12	1

## SPOOL VALVE ASSEMBLY DIAGRAM

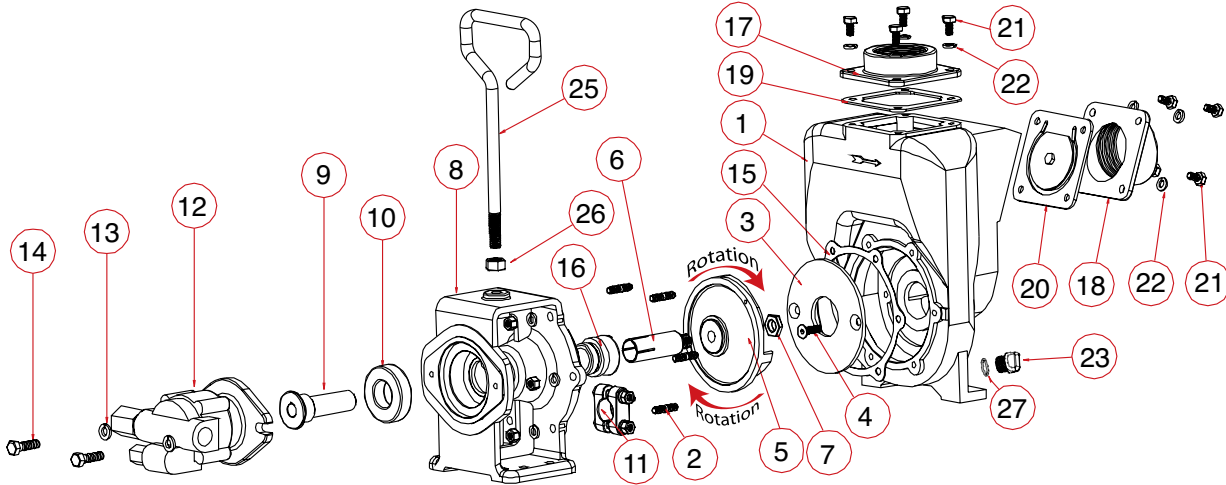


**Recommendation:**  
We recommend using the motor spool control valve or a suitable equivalent. The lack of such a valve in this circuit may cause failure to the hydraulic motor.



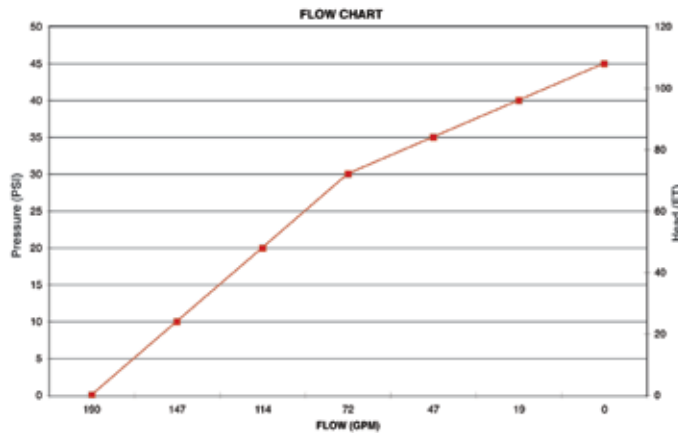
HYDRAULIC MOTOR SPOOL VALVE			
PART NO	DESCRIPTION	HP	QTY
HSV1000	Hydraulic Motor Spool Valve	N/A	1



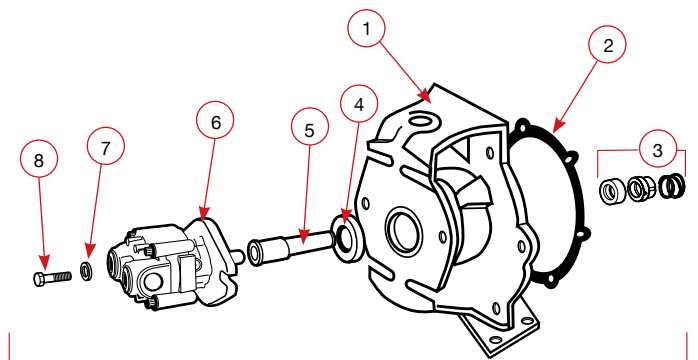


HYDRAULIC MOTOR DATA	
U.S. Gallons/Rev.	0.0025
Cubic Inches/Rev.	0.580
Liters/Rev.	0.0097
Max Hydraulic Pressure	2000 PSI
Min Hydraulic Pressure	200 PSI
Inlet Port	SAE 10 (7/8-14 UNF-2B)
Outlet Port	SAE 10 (7/8-14 UNF-2B)
Minimum GPM Required	6 GPM 2400 RPM
Maximum GPM Required	10 GPM 4000 RPM
Ideal GPM Required	9 GPM 3600 RPM
CONNECTION INFORMATION	
Inlet	"A" Port
Outlet	"B" Port
Supplied check valve is to ensure proper rotation of the Banjo pump. Place check valve in outlet port (marked "B") for proper right hand rotation.	
SPOOL VALVE INFORMATION	
Required Outlet Flow	Min 6 GPM / Max 10 GPM
Required System Pressure	Min 500 PSI / Max 2000 PSI

REPLACEMENT PARTS 2" SS PUMPS			
ITEM	PART NO	DESCRIPTION	QTY
1	17026SS	Pump Housing	1
2	17042	Pump Housing Stud	6
3	17011SS	Wear Plate	1
4	17130SS	5/16-18 x 1.00" FHSCS, 316 SS	2
5	17008SS	5" Impeller	1
6	17007	7/8" Sleeve Drive for Electric Motor	1
7	17009B	5/8" Impeller Nut	1
8	17049ASS	Hydraulic Adapter	1
9	17055A	Hydraulic Adapter Shaft	1
10	17056	SKF 6206-2RS1 Bearing	1
11	17024	7/8" Clamp, no key	1
12	HY1013	MGG@0025BC1D3 Hydraulic Motor Assembly	1
13	V20018	3/8" Lock Washer	2
14	18010SS	3/8" - 16 x 1.25" HHHCS	2
15	17018	Gasket Adapter	1
16	17035SS	FKM (viton type) Seal Assembly	1
17	17000SS	2" Outlet Flange	1
18	17002SS	2" Inlet Flange	1
19	17014	FKM (viton type) Gasket	1
20	17017	Gasket Check Valve Assembly	1
21	17019	5/16" - 18 x 0.75" Cap Screw	8
22	V10118	5/16" Split Lock Washer	14
23	12777SS	1/2" Stainless Steel Plug	1
24	V10119	5/16" - 18 Hex Nut	6
25	15022	Handle	1
26	17010	1/2" Hex Nut -13UNF-RH	1
27	UV15163V	O-Ring FKM (viton type)	1



REPLACEMENT PARTS 2" SS HYDRAULIC ADAPTER			
ITEM	PART NO	DESCRIPTION	QTY
1	17049ASS	SS Hydraulic Motor Adapter	1
2	17018	Gasket Adapter	1
3	17035SS	Seal Assembly	1
N/S	17007	7/8" SS Shaft Sleeve	1
N/S	12214A	Shim	1
4	17056	SKF 6206-2RS1 Bearing	1
5	17055A	Hydraulic Adapter Shaft	1
6	HY1013	Gresen® Hydraulic Motor	1
7	V20018	Lock Washer	2
8	18010SS	Bolt	2





# 3" 316 Stainless Steel Pumps with Gas Engines

## FEATURES

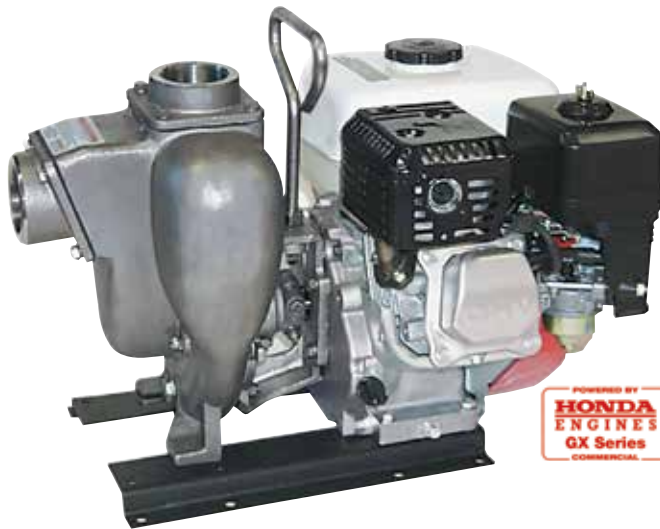
- Carbon ceramic seal consists of 316 stainless steel cup and spring with FKM (viton type) Elastomer.
- All 316 stainless steel wettable internal components:  
–Impeller –Sleeve –Wear plate –Fasteners
- 316 stainless steel housing.
- Dynamically balanced impeller.

**CAUTION-WARNING:** Please do not run pumps dry, restrict or reduce port sizes or dead head pumps. This could cause component failure to pump.

**DO NOT USE WITH FLAMMABLE LIQUIDS.**

**NOTE:** Engine warranty service available at authorized Briggs & Stratton and Honda dealers.

**\*SHIPPING:** Truck shipments only.



## 3" SS BEARING PEDESTAL PUMP

PART NO	DESCRIPTION	HP	QTY
300PB-SS	3" SS Bearing Pedestal w/ 1" Straight Shaft*	N/A	1

Note: \* Straight shaft for long coupling to electric motors

## 3" SS PUMP ONLY

PART NO	DESCRIPTION	HP	QTY
300PO-SS	3" SS Pump Only w/ 1" Shaft Sleeve	N/A	1

## 3" SS C-FLANGE PUMP

PART NO	DESCRIPTION	HP	QTY
300PO-SSCF	3" SS C-Flange Pump w/ 1 1/8" Shaft Sleeve	N/A	1

## 3" STAINLESS STEEL PUMPS W/GAS ENGINES

PART NO	DESCRIPTION	HP	QTY
300PH11-SS	3" SS Pump w/11 HP Honda® Engine w/Electric Start & Pull Rope	11	1
300PH13SS	3" SS Pump w/13 HP Honda® Engine w/Electric Start & Pull Rope	13	1

Note: Recommendation for 5/8" Shaft: 56C Frame Size, 3 HP, 3450 RPM, & 5" Max Impeller for close coupling to electric motors.

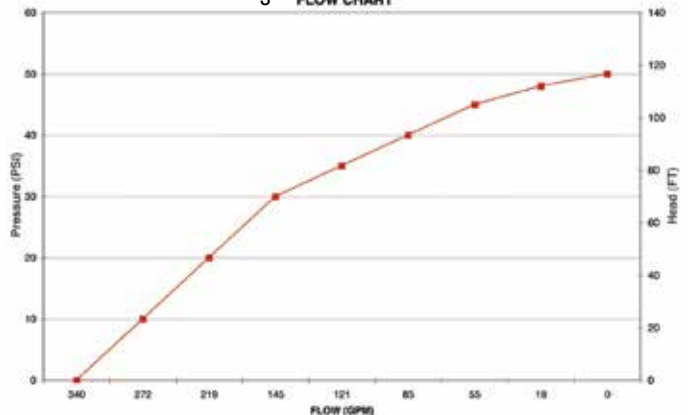
Recommendation for 7/8" Shaft: 145TC Frame Size, 3 HP, 3450 RPM, & 5" Max Impeller for close coupling to electric motors.



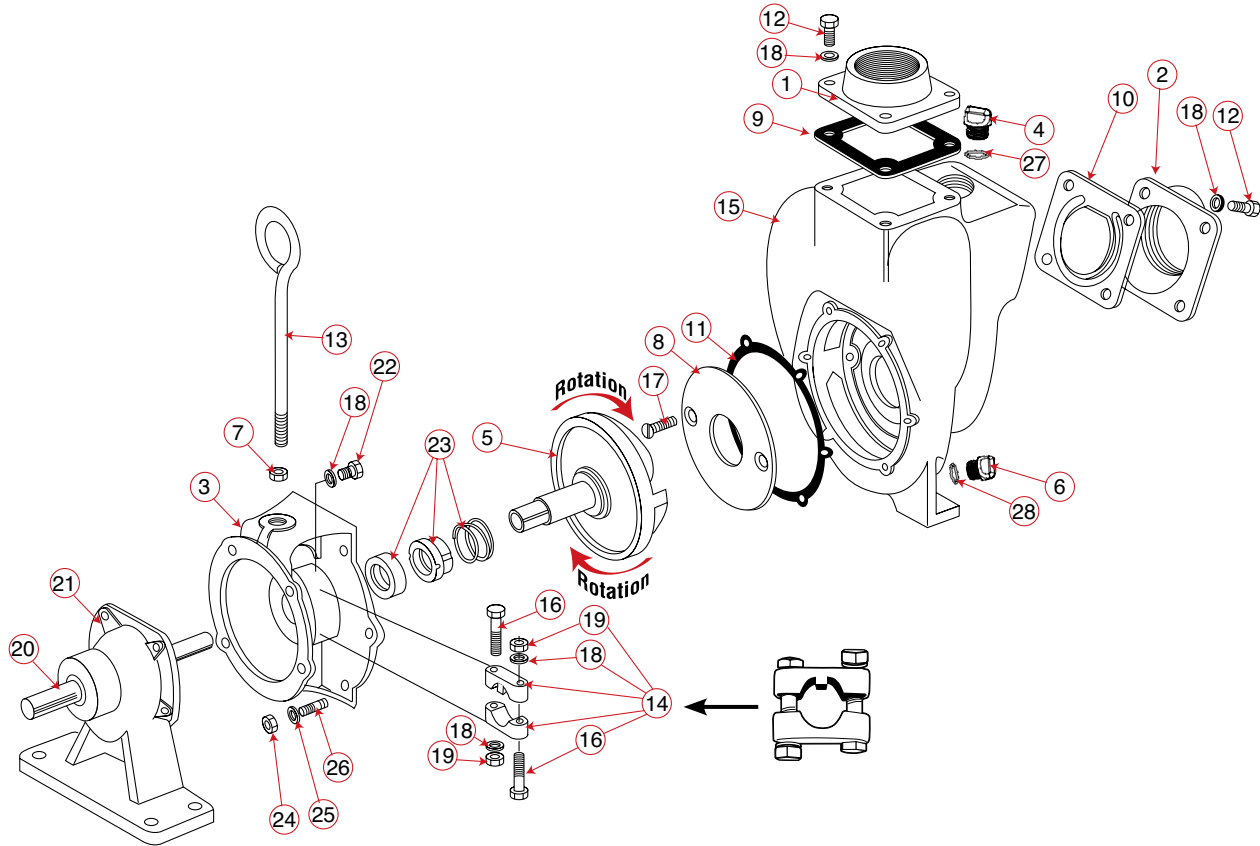
## UNIVERSAL BASE PLATE ASSEMBLY

PART NO	DESCRIPTION	QTY
18700	Base Plate Assembly for 1 1/2", 2" & 3" Cast Iron or Poly Pump (Plate, Coupling Guard, Bolt Bag & Shims)	1

3" FLOW CHART







**REPLACEMENT PARTS 3" SS PUMPS**

ITEM	PART NO	DESCRIPTION	QTY
1	18008SS	NPT Outlet Flange	1
2	18012SS	NPT Inlet Flange	1
3	18026SS	Adapter for Gas Engine	1
3	18048SS	SS C-Flange Adapter	1
4	13777SS	3/4" Stainless Steel Plug	1
5	18023SS	1" SS Impeller & Drive Shaft for Gas Engine	1
5	18023-1.125SS	1 1/8" SS Impeller & Drive Shaft for Electric Motor	1
6	12777SS	1/2" Stainless Steel Plug	1
7	18034	5/8" SS Jam Nut	1
8	18004SS	SS Wear Plate	1
9	18044	FKM (viton type) Outlet Gasket	1
10	18042	FKM (viton type)Gasket Check Valve Assembly	1
11	18021	Adapter Gasket	1
12	18010SS	3/8" - 16 x 1 1/8" SS Cap Screw HXHD	8
13	18033	Handle	1
14	18129	Clamp Assembly	1

**REPLACEMENT PARTS 3" SS PUMPS**

ITEM	PART NO	DESCRIPTION	QTY
15	18001SS	SS Pump Housing	1
16	18030	3/8" -24 x 2 1/4" SS Bolt	2
17	18106SS	Wear Plate Flat Head Screw	2
18	V20018	3/8" Lock Washer	8
19	18032	3/8" x 24 SS Hex Nut	2
20	18504	1" Shaft	1
21	18500	Bearing Pedestal	1
22	18027	3/8" -16 x 1 1/2" HHCS	1
23	18025SS	FKM (viton type) Seal Assembly	1
24	V20019	3/8" 16 SS Hex Nut	6
25	V20018	3/8" SS Lock Washer	6
26	18218	3/8" -16 x 24 x 2 1/8" SS Stud	6
27	13778V	O-Ring FKM (viton type)	1
28	UV15163V	O-Ring FKM (viton type)	1
N/S	18100SS	Repair Kit(Consist of items 5, 8,11,17 & 23)	1

**KITS 3" SS PUMPS**

PART NO	EPDM REPAIR KIT NO	EPDM SEAL KIT NO
300PH11-SS	18100SS	18025SS
300PH13SS	18100SS	18025SS
300PB-SS	18100SS	18025SS
300PO-SS	18100SS	18025SS

# 3" Stainless Steel Pumps with Hydraulic Motors

## PUMP FEATURES

- Rugged construction for dependable service.
- Carbon ceramic seal with stainless steel cup and spring with FKM (viton type) rubber.
- Replaceable inlet and outlet flanges.
- Dynamically balanced impeller.

## HYDRAULIC MOTOR

- Hydraulic fluid capacity  
Minimum 9 Gallons / Maximum 13 Gallons.
- 21 H.P. Motor.
- Open system.
- Minimum 600 P.S.I. / Maximum 3000 P.S.I.

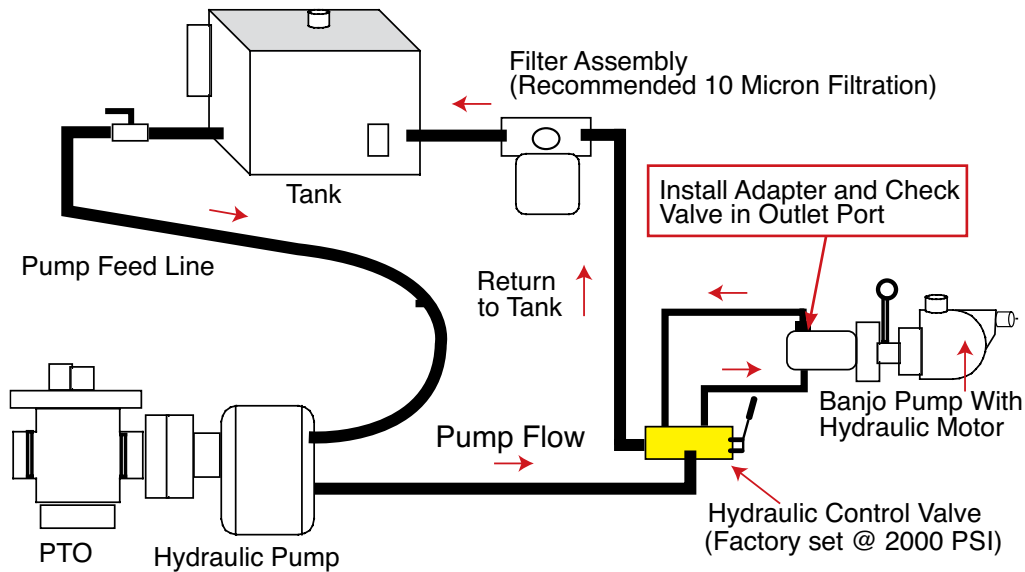
**CAUTION-WARNING:** Please do not run pumps dry, restrict or reduce port sizes or dead head pumps. This could cause component failure to pump.

**DO NOT USE WITH FLAMMABLE LIQUIDS.**



3" SS HYDRAULIC PUMPS			
PART NO	DESCRIPTION	HP	QTY
300PHYSS	3" SS Pump w/21 HP Hydraulic Motor	21	1

## SPOOL VALVE ASSEMBLY DIAGRAM

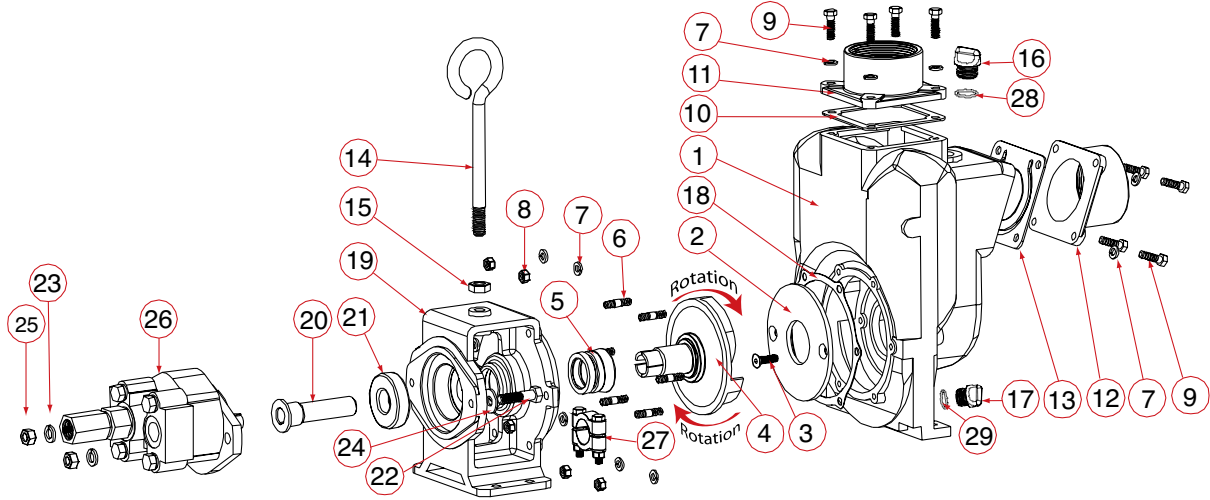


**Recommendation:**  
We recommend using the motor spool control valve or a suitable equivalent. The lack of such a valve in this circuit may cause failure to the hydraulic motor.



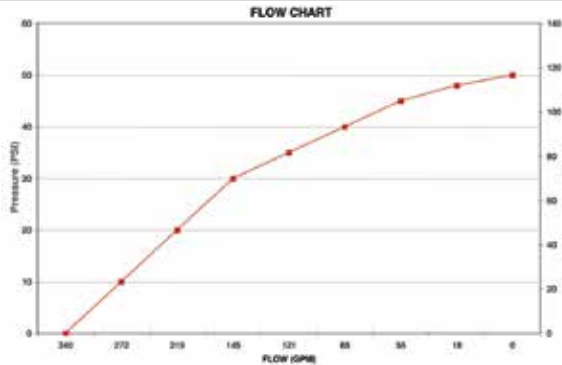
HYDRAULIC MOTOR SPOOL VALVE			
PART NO	DESCRIPTION	HP	QTY
HSV1000	Hydraulic Motor Spool Valve	N/A	1



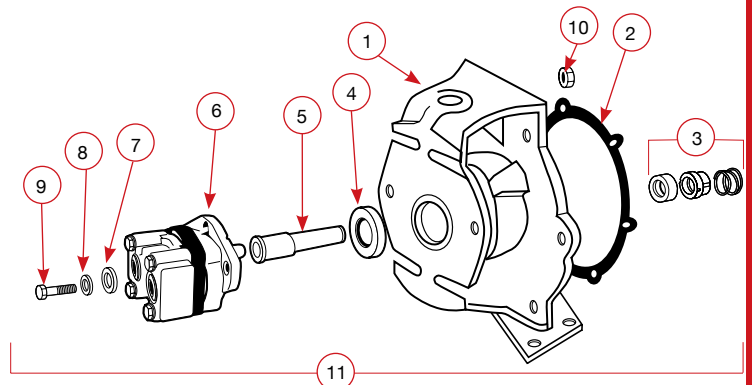


HYDRAULIC MOTOR DATA	
U.S. Gallons/Rev.	0.0038
Cubic Inches/Rev.	0.878
Liters/Rev.	0.0144
Max Hydraulic Pressure	3000 PSI
Min Hydraulic Pressure	600 PSI
Inlet Port	1-1/16-12UN-2B
Outlet Port	1-5/16-12UN-2B
Minimum GPM Required	9 GPM 2370 RPM
Maximum GPM Required	13 GPM 3450 RPM
Ideal GPM Required	9 GPM 3600 RPM
CONNECTION INFORMATION	
Inlet	"A" Port
Outlet	"B" Port
Supplied check valve is to ensure proper rotation of the Banjo pump. Place check valve in outlet port (marked "B") for proper right hand rotation. It is recommended that a minimum 3/4" inlet line & a minimum 1" outlet line be used. The outlet port must be connected directly back to the hydraulic fluid reservoir & not to any valving, regulators or flow diverters. The outlet port/return line back pressure must not exceed 250 PSI.	
SPOOL VALVE INFORMATION	
Required Outlet Flow	Min 9 GPM / Max 13 GPM
Required System Pressure	Min 600 PSI / Max 3000 PSI

REPLACEMENT PARTS 3" SS PUMPS			
ITEM	PART NO	DESCRIPTION	QTY
1	18001SS	Pump Housing	1
2	18004SS	Wear Plate	1
3	18106SS	3/8"-16 x 1.25" HHCS	2
4	18023SS	Impeller & Drive Shaft	1
5	18025SS	FKM (viton type) Mechanical Seal	1
6	18218	3/8" -16 x 24 x 2 1/8" SS Stud	6
7	V20018	3/8" Split Lock Washer	14
8	V20019	3/8" 16 SS Hex Nut	6
9	18010SS	3/8" - 16 x 1.25" HHCS	8
10	18044	FKM (viton type) Outlet Gasket	1
11	18008SS	NPT Outlet Flange	1
12	18012SS	NPT Inlet Flange	1
13	18042	FKM(viton type) Gasket Check Valve Assembly	1
14	18033	Handle	1
15	18034	5/8" SS Jam Nut	1
16	13777SS	3/4" Stainless Steel Plug	1
17	12777SS	1/2" Stainless Steel Plug	1
18	18021	Adapter Gasket	1
19	18049SS	Hydraulic Motor Adapter	1
20	18055	Hydraulic Adapter Shaft	1
21	18502	Bearing	1
22	18056	1/2"-13 x 2" HHCS	2
23	18058	1/2" Split Lock Washer	2
24	18059	1/2" Flat Washer	2
25	17010	1/2" Hex Nut	2
26	HY1012	UM16-45A-HX Hydraulic Motor Assembly	1
27	18029	Clamp Assembly Unkeyed	1
28	13778V	O-Ring FKM (viton type)	1
29	UV15163V	O-Ring FKM (viton type)	1
N/S	18100SS	Repair Kit(Consist of items 2, 3, 4, 5 & 18)	1



REPLACEMENT PARTS 3" SS HYDRAULIC ADAPTER			
ITEM	PART NO	DESCRIPTION	QTY
1	18049SS	C-Flange Hydraulic Motor Adapter	1
2	18021	Gasket Adapter	1
3	18025SS	Seal Assembly	1
4	18502	SKF 66306-2RS1/C3 Bearing	1
5	18055	Hydraulic Adapter Shaft	1
6	HY1012	Tyrone® Hydraulic Motor	1
7	18059	1/2" Lock Washer	2
8	18058	1/2" Split Lock Washer Bolt	2
9	18056	1/2"-13 x 2" HHCS Bolt	2
10	17010	1/2" Hex Nut	2
11	18600SS	Hydraulic Motor Adapter Assembly	1



ENGINE REFERENCE					
BANJO PART NO	E3	E6.5PRO	E6.5PROE	E11PROE	E23
MANUFACTURER	Briggs & Stratton®	Briggs & Stratton®	Briggs & Stratton	Briggs & Stratton®	Briggs & Stratton
MODEL NO	91200	122032013738C1040	130G37-932941	2123320139B1G1032	386447-3048-G1
RATED HP	3.5 HP @ 3600 RPM	6.5 HP @ 3600	6.5 HP @ 3600 RPM	11 HP @ 3600	23.0 HP @ 3600 RPM
RATED TORQUE	4.9 ft-lbs @ 2800 RPM	9 ft-lbs @ 2800 RPM		15.50 ft-lbs @ 2800 RPM	
SHAFT SIZE	3/4" Diameter w/ 3/16" Keyway	3/4" Diameter w/ 3/16" Keyway	3/4" X 2 27/64", 3/16" Keyway	3/4" Diameter w/ 3/16" Keyway	1 1/8" X 4", 1/4" Keyway
SHAFT ID THREAD	5/16"-24 UNF 2B	5/16"-24 UNF 2B	5/16"-24 UNF	5/16"-24 UNF 2B	3/8" - 24 UNF
ENGINE OIL REQUIRED	Synthetic 5W30	Above 40°F: 30W Below 40°F: 5W30	Above 40°F: 30W Below 40°F: 5W30	Synthetic 10W30	Above 40°F: 30W Below 40°F: 5W30
ENGINE OIL CAPACITY	21 oz	20 oz	20.0 oz	28 oz	48.0 oz
FUEL REQUIRED	.77	.77	.87	.77	.87
FUEL TANK CAPACITY	.50 Gallon	1 Gallon	0.825	1 Gallon	N/A
OIL ALERT	N	N	Y	N	N
ELCTRIC START	N	N	Y	N	Y
OVER HEAD VALVE	N	N	Y	N	Y

ENGINE REFERENCE		
BANJO PART NO	E5H	E5HE
MANUFACTURER	Honda®	Honda®
MODEL NO	GX160	GX160
RATED HP	5.4 HP @ 3600	5.4 HP @ 3600
RATED TORQUE	8.0 ft-lbs @ 2500 RPM	8.0 ft-lbs @ 2500 RPM
SHAFT SIZE	3/4" Diameter w/ 3/16" Keyway	3/4" Diameter w/ 3/16" Keyway
SHAFT ID THREAD	5/16"-24 UNF 2B	5/16"-24 UNF 2B
ENGINE OIL REQUIRED	10W30	10W30
ENGINE OIL CAPACITY	.63 qt	.63 qt
FUEL REQUIRED	.86	.86
FUEL TANK CAPACITY	.95 Gallon	.95 Gallon
OIL ALERT	Y	Y
ELCTRIC START	N	Y
OVER HEAD VALVE	Y	Y

**For Engine Warranty Service Contact:**

**Briggs and Stratton: (414) 259-5262 or  
www.briggsandstratton.com**



**Honda: (800) 426-7701  
or www.honda.com**



ENGINE REFERENCE					
BANJO PART NO	E6H	E8H	E11H	E13H	E24H
MANUFACTURER	Honda®	Honda®	Honda®	Honda®	Honda®
MODEL NO	GX200	GX240	GX340	GX390	GX690RTAF
RATED HP	6.4 HP @ 3600	8.0 HP @ 3600	11.0 HP @ 3600	13.0 HP @ 3600	22.1 HP @ 3600 RPM
RATED TORQUE	7.76 ft-lbs @ 2600 RPM	12.3 ft-lbs @ 2500 RPM	17.4 ft-lbs @ 2500 RPM	19.5 ft-lbs @ 2500 RPM	35.6 ft-lb @ 2500 RPM
SHAFT SIZE	3/4" Diameter w/ 3/16" Keyway	1" Diameter w/ 1/4" Keyway	1" Diameter w/ 1/4" Keyway	1" Diameter w/ 1/4" Keyway	1 1/8" x 4", 1/4" Keyway
SHAFT ID THREAD	5/16"-24 UNF 2B	3/8"-24 UNF 2B	3/8"-24 UNF 2B	3/8"-24 UNF 2B	7/16" - 20 UNF-2B
ENGINE OIL REQUIRED	10W30	10W30	10W30	10W30	10W30
ENGINE OIL CAPACITY	.63 qt	1.16 qt	1.16 qt	1.16 qt	2.1 qt
FUEL REQUIRED	.86	.86	.86	.86	.86
FUEL TANK CAPACITY	.95 Gallon	1.59 Gallon	1.72 Gallon	1.72 Gallon	N/A
OIL ALERT	Y	Y	Y	Y	Y
ELCTRIC START	N	Y	Y	Y	Y
OVER HEAD VALVE	Y	Y	Y	Y	Y

ENGINE REFERENCE				
BANJO PART NO	BEM3	BEM5	BEM51	BEM15
MANUFACTURER	Marathon®	Baldor®	Baldor®	Marathon®
MODEL NO	C236	CEM3613T	CEM3613TM	215TTFW14010
RATED HP	3 HP	5 HP	5 HP	15 HP
SHAFT SIZE	7/8"	1 1/8"	1 1/8"	1 3/8"
DESCRIPTION	TEFC	TEFC	TEFC	TEFC
PHASE	3	3	1	3
RPM @ 60 HZ	3450	3450	3450	3450
NEMA FRAME SIZE	145TC	184TC	184TC	215TC
VOLTAGE	208-230/460	230/460	230	208-230/460
EFF@FULL LOAD	85.5	88.5	83	88.5

BRITISH PIPE THREAD		
PART NO	DESCRIPTION	PAGE NO.
DM100ABSS	1" Stainless Steel Male Dry Mate with British Standard Pipe Thread & All PTFE Seals	58
DM100DBSS	1" Stainless Steel Female Dry Mate with British Standard Pipe Thread & FKM (viton type) Face Seal	58
DM100DBSSE	1" Stainless Steel Female Dry Mate with British Standard Pipe Thread & EPDM Face Seal	58
DM100DBSST	1" Stainless Steel Female Dry Mate with British Standard Pipe Thread & Kalrez Face Seal	58
DM150AB	1½" Poly Male Dry Mate with British Standard Pipe Thread & FKM(viton type) Face Seal	88
DM150ABSS	1½" Stainless Steel Male Dry Mate with British Standard Pipe Thread & All PTFE Seals	54
DM150DB	1½" Poly Female Dry Mate with British Standard Pipe Thread	59
DM150DBSS	1½" Stainless Steel Female Dry Mate with British Standard Pipe Thread & FKM (viton type) Face Seal	59
DM150DBSSE	1½" Stainless Steel Female Dry Mate with British Standard Pipe Thread & EPDM Face Seal	59
DM150DBSST	1½" Stainless Steel Female Dry Mate with British Standard Pipe Thread & Kalrez Face Seal	59
DM200AB	2" Poly Male Dry Mate with British Standard Pipe Threads & FKM (viton type) Face Seal	55
DM200ABSS	2" Stainless Steel Male Dry Mate with British Standard Pipe Thread	59
DM200DB	2" Poly Female Dry Mate with British Standard Pipe Threads & FKM (viton type) Face Seal	55
DM200DBSS	2" Stainless Steel Female Dry Mate with British Standard Pipe Thread & FKM (viton type) Face Seal	60
DM200DBSSE	2" Stainless Steel Female Dry Mate with British Standard Pipe Thread & EPDM Face Seal	60
DM200DBSST	2" Stainless Steel Female Dry Mate with British Standard Pipe Thread & Kalrez Face Seal	60
DM220ABSS	2" Male x BSP Threads w/PTFE Seals	61
DM220DBSS	2" FP Female x BSP Threads	61
DM220DBSSE	2" FP Female x BSP Threads w/EPDM Seals	61
DM220DBSSTS	2" FP Female x BSP Threads w/ PTFE Encap O-Ring/ PTFE Encap O-Ring	61
M100BSP	1" Manifold Flange x 1" Male British Standard Pipe Thread	46
M200BSP	2" Manifold Flange x 2" Male British Standard Pipe Thread	46
M220BSP	2" Full Port Manifold Flange x 2" Male British Standard Pipe Thread	46
M300BSP	3" Full Port Manifold Flange x 3" Male British Standard Pipe Thread	46
NIP2101	2" NPT x British Standard Pipe Thread-White	64

12046	103, 129
12052	103
12099	103, 111, 127, 129, 99
12155	101, 109, 115
12705	101, 103, 105, 107, 109, 111, 113, 115, 127, 129, 131, 133, 143, 145, 99
12709	101, 109, 115, 131, 133, 143, 145
12710	105, 107, 111, 113, 127, 129, 99
12713	103, 105, 107, 111, 113, 99
12716	107, 111, 127, 99
12717	101, 103, 105, 107, 109, 111, 113, 115, 127, 129, 131, 133, 143, 145, 99
12720	101, 103, 105, 107, 109, 111, 113, 115, 99
12723	92
12724	92
12725	101, 103, 105, 107, 109, 111, 113, 115, 99
12754	101, 103, 105, 107, 109, 111, 113, 115, 99
12756	103, 129
12766	101, 109, 115, 131
12772	101, 103, 105, 107, 109, 99
12777	101, 103, 105, 109, 115, 117, 119, 121, 123, 125, 131, 133, 135, 137, 139, 143, 145, 49, 88, 92, 99
12884	117, 119
12900	101, 103, 105, 107, 109, 111, 113, 115, 99
12901	101, 103, 105, 107, 109, 111, 113, 115, 127, 129, 131, 133, 143, 145, 99
13000	111, 113
13034	101, 109, 115, 133, 143
13055	115, 133, 143, 145
13702	111, 113, 115
13712	111, 113, 115
13719	101, 109, 115, 131, 133, 143, 145
13765	111, 141
13766	115, 143
13771	111, 113
13772	111, 115
13777	111, 113, 115, 127, 129, 131, 133, 135, 137, 139, 141, 143, 145, 147, 51, 95
13778	111, 113, 115, 127, 129, 131, 133, 135, 137, 139, 141, 143, 145, 147, 51, 95
13999	111, 113
14766	115
15000	127, 129
15022	117, 119, 121, 123, 125, 127, 129, 149, 151, 153
15025	141
15055	131

15702	127, 129, 131, 133
15703	127, 129
15712	127, 129
15751	111, 127, 129
15752	127, 129
15772	127, 129, 131, 133
15999	127, 129
16000	147
16001	141
16002	147
16003	141
16011	141, 147
16019	141, 147
16099	141, 147
16702	141, 147
16703	147
16704	141
16706	141, 147
16707	147
16710	141, 147
16712	147
16713	141, 147
16733	141
16751	141, 147
16752	141, 147
16765	141, 147
16772	147
16773	141, 147
16774	141
16775	147
16901	115, 133, 141, 143, 145, 147
17000	119, 121, 123, 125, 127
17001	117, 125
17002	119, 121, 123, 125
17003	117, 125
17004	117, 119
17005	117, 119, 149
17006	117, 119, 149
17007	117, 119, 123, 125, 149, 151, 153
17008	117, 119, 123, 125
17010	117, 119, 121, 123, 125, 127, 129, 139, 149, 151, 153, 157
17011	117, 119, 123, 125
17013	117, 119, 121, 123, 125, 127
17014	149, 151, 153
17016	117, 119, 121, 123, 125
17017	149, 151, 153
17018	117, 119, 121, 123, 125, 149, 151, 153
17019	117, 119, 121, 123, 125, 127, 149, 151, 153
17023	117, 119, 149

17024	117, 119, 123, 125, 149, 151, 153
17026	117, 119, 123, 125
17028	117, 119, 125
17029	143
17032	121
17033	117, 119, 127
17034	127
17035	117, 119, 123, 125
17040	117, 119, 149
17042	117, 119, 123, 125, 149, 151, 153
17046	117, 119, 123
17056	113, 125, 153
17100	117, 119
17123	117, 119, 121, 149
17130	117, 119, 123, 125
17202	121
17208	121
17226	121
17235	121
17242	121
17406	123, 151
17408	123
17446	123
17449	123, 145, 151
17701	103, 123, 129, 151
17704	103, 123, 129, 135, 137, 141, 147, 151
17901	141
18001	135, 137, 139
18004	135, 137, 139
18008	135, 137, 139
18009	135, 137, 139
18012	135, 137, 139
18013	135, 137, 139
18021	135, 137, 139, 155, 157
18023	135, 139
18025	123, 135, 139
18026	135
18027	141, 147, 155
18029	135, 139, 157
18030	135, 155
18032	135, 155
18033	131, 133, 135, 137, 139, 141, 143, 145, 147, 155, 157
18034	131, 133, 135, 137, 139, 141, 143, 145, 147, 155, 157
18035	135
18042	155, 157
18044	155, 157
18048	135
18049	135, 139
18055	135, 139, 157



18056	139, 157
18058	123, 139, 145, 151, 157
18059	139, 157
18100	135, 139
18106	135, 137, 139
18129	123, 135, 137, 151, 155
18206	137
18218	135, 137, 139, 155, 157
18435	147
18500	135, 137, 141, 147, 155
18502	135, 139, 145, 157
18504	135, 155
18511	141, 147
18512	141, 147
18600	139
18700	135, 148, 154
19702	143, 145
19766	133, 145
19772	143, 145
050C	75
050D	75
050E	75
050F	75
075ASS	72
075BSS	72
075C	75
075CAP	75
075CAP/SS	72
075CSS	72
075D	75
075D3/8	75
075DSS	72
075E	75
075ESS	72
075F	75
075FSS	72
075PL/SS	72
100125CAP	75
100125PL	75
100A	75
100ASS	72
100B	75
100BSS	72
100C	75
100CAP/SS	72
100CSS	72
100D	75
100DSS	72
100E	75
100ESS	72
100F	75
100FSS	72

100G	69, 76
100GV	69, 73, 76
100PL/SS	72
100RING	73, 76
100SHM	76
12000A	103, 105, 107, 99
12000AV	103, 105, 107, 99
12049E	105, 113, 133
12055B	113
12055E	105, 133
12201W	115
12202W	101, 109, 115
12214A	125, 153
125A	75
125B	75
125C	75
125D	75
125E	75
125F	75
12600B	105, 113, 127
12702A	101, 103, 105, 107, 109, 99
12703A	103, 105, 107, 111, 113, 99
12703AW	115
12705V	103, 105, 111, 113
12707W	101, 109, 115
12710V	103, 105, 111, 113
12712A	101, 103, 105, 99
12712AV	103
12713SD	127, 129
12713V	103, 111, 127, 129
12715A	105, 107, 111, 113, 127, 129, 131, 133, 143, 145, 99
12717V	103, 105, 111, 113
12719A	101, 103, 105, 107, 109, 111, 113, 115, 127, 129, 131, 133, 143, 145, 99
12719AV	103, 111
12754V	103, 105, 111, 113
12765A	103, 105, 107, 111, 113, 127, 129, 99
12774VA	101, 103, 105, 107, 111, 113, 115, 127, 129, 143, 99
12775A	101, 103, 105, 107, 109, 111, 113, 99
12777SS	149, 151, 153, 155, 157
12882A	111, 117, 119, 121, 127, 131, 149, 99
12883B	117, 119
12902A	101, 103, 105, 107, 109, 111, 113, 115, 127, 129, 131, 133, 143, 145, 99
12999A	103, 105, 107, 99
12999AV	103, 105, 107, 99
13000V	111, 113
13777SS	155, 157
13778V	111, 155, 157, 90

13999V	111, 113
150(200)K	76
15000V	127, 129
150125A	75
150125B	75
150125C	75
150125D	75
150125E	75
150125F	75
15035E	101, 109, 115, 131, 133, 137, 143, 145
150A	75
150A90	77
150ASS	73
150B	75
150BSS	73
150C	75
150C90	77
150CAP	75
150CAP/SS	73
150CSS	73
150D	75
150D90	77
150DSS	73
150E	75
150ESS	73
150F	75
150F90	77
150FSS	73
150G	47, 69, 76
150GV	47, 69, 73, 76
150PB	98
150PBI	116
150PL	75
150PL/SS	73
150PO	98
150POI	116
150POICF5/8-4.1	116
150POICF7/8	116
150POICF7/8-4.1	116
150POICF7/8-4.6	116
150RING	73, 76
150SHM	76
15201W	131, 133
15703W	131, 133
15999V	127, 129
16704A	141
16773A	141
17000SS	149, 151, 153
17002SS	149, 151, 153
17004SS	149
17008-4.1	117, 119

17008-4.1SS	149
17008-4.6	117, 119
17008-4.6SS	149
17008SS	149, 151, 153
17009B	117, 119, 121, 123, 125, 149, 151, 153
17011SS	149, 151, 153
17026SS	149, 151, 153
17035SD	117, 119, 125
17035SS	149, 151, 153
17046SS	149, 151
17049A	125
17049ASS	153
17055A	125, 153
17056E	105, 133
17100SS	149
17130SS	149, 151, 153
17200A	121
17201A	121
17206A	121
17408SS	151
17446SS	151
17600A	125
18001SS	155, 157
18004SS	155, 157
18008SS	155, 157
18010SS	105, 113, 125, 133, 135, 137, 139, 153, 155, 157
18012SS	155, 157
18023-1.125	135
18023-1.125SS	155
18023SS	155, 157
18025SD	135, 139
18025SS	151, 155, 157
18026SS	155
18048SS	155
18049SS	157
18055H	145
18100SS	155, 157
18100W	137
18106SS	155, 157
18135A	143
18135B	143
18200A	137
18202A	137
18203A	137
18600SS	157
19001H	145
19201W	143, 145
19703W	143, 145
200150C	75
200A	75
200A90	77

200ASS	73
200B	75
200B90	77
200BSS	73
200C	75
200C90	77
200CAP	66, 75
200CAP/SS	73
200CAPSH	66, 75
200CSS	73
200D	75
200D90	77
200DSS	73
200E	75
200ESS	73
200F	75
200F45	77
200F90	77
200FF	76
200FSS	73
200G	47, 69, 76
200GB	73
200GV	47, 69, 73, 76
200P6PRO	98
200P6PROE	98
200P6PROSS	148
200P6PROV	98
200P6PROW	100
200PB	98
200PB-SS	148
200PB-V	98
200PBI	118
200PBW	100
200PEO	102
200PH-5	98
200PH-5E	98
200PH-5V	98
200PH5-SS	148
200PH5W	100
200PH6	98
200PHA	104
200PHY	104
200PHYSS	152
200PHYW	104
200PI-3	118
200PI6PRO	118
200PIH-5	118
200PIH5E	118
200PIHA	124
200PIHY	124
200PL	75
200PL/SS	73

200PO	98
200PO-SS	148
200PO-V	98
200POI	118
200POICF5/8	118
200POICF7/8	118
200POICF7/8-4.6	118
200POSSCF5/8	148
200POSSCF7/8	148
200SBS	120, 122, 128, 135, 137, 150
200SHM	76
201B	75, 76
201CAPSH	66
201FPT	66
201PBIW	120
201PI6PROW	120
201PIH5W	120
201POIW	120
202CAP	66
205PB	98
205PB-V	98
205PO	98
205PO-V	98
211FPT	66
222PBI	126
222PI6PRO	126
222PIE5	128
222PIE51	128
222PIH5	126
222PIH5E	126
222PIH6	126
222PIHY	126
222POI	126
225POI	126
231MPT	66
231MPTBN	66
234PE3SS	150
234PE51SS	150
234PE5SS	150
234PIE3	122
234PIE5	122
234PIE51	122
234POI	122
234PPE5	102
234PPE51	102
234PPE51V	102
234PPE5V	102
300A	76
300ASS	73
300B	76
300BSS	73
300C	76

300CAP	76
300CAP/SS	73
300CSS	73
300D	76
300DSS	73
300E	76
300ESS	73
300F	76
300F200F	76
300FF	76
300FSS	73
300G	47, 69, 76
300GV	47, 69, 73, 76
300K	76
300K6	73
300P11PRO	110
300P11PROW	114
300PB	110
300PB-SS	154
300PBI	134
300PBW	114
300PH-6	110
300PH11-SS	154
300PH11W	114
300PH13SS	154
300PH13W	114
300PH6W	114
300PHY	112
300PHYSS	156
300PHYW	112
300PIH-11	134
300PIH-8	134
300PIH13	134
300PIHY	138
300PL	76
300PL/SS	73
300PO	110
300PO-SS	154
300PO-SSCF	154
300POI	134
300SBS	120, 122, 128, 135, 137, 150
300SHM	76
301PBIW	136
301PIH13W	136
301POIW	136
303B	76
303B200A	76
303C	76
333PBI	140
333PIE15	140
333PIH13	140
333POI	140

333POICF	140, 3
400A	76
400ASS	73
400B	76
400BSS	73
400C	76
400CAP	76
400CAP/SS	73
400CSS	73
400D	76
400DSS	73
400E	76
400ESS	73
400F	76
400FSS	73
400G	76
400GV	73, 76
400PL	76
400PL/SS	73
400SHM	76
444PIH24	146
444POI	146
60FDIN	66
75A1/2	75
75A1/2/SA	77
75A1/4	75
75A1/4/SA	77
75A3/4	75
75A3/4/SA	77
75A3/8	75
75A3/8/SA	77
75B1/2	75, 77
75B3/4	75, 77
75G	76
75GV	73, 76
75PL	75
75SHM	76
A203V	109, 131, 133, 145
AF100	71
AF100G	71
AF100GV	71
AF150	71
AF150G	71
AF150GV	71
AF200	71
AF200G	71
AF200GV	71
AF300	71
AF300G	71
AF300GV	71
AF400	71
AF400G	71

AF400GV	71
AFB200	71
AFB300	71
AFB400	71
BANJOMAN	67, 79
BC090	79
BC114	79
BEM3	123, 151
BEM5	123, 151
BEM5-182CZ	129
BEM51	123, 151
BEM51-182CZ	129
BF075	67
BF075BD	68
BF075BDV	68
BF100	67
BF100BD	68
BF100GE	67, 68
BF100GRE	68
BF100GRV	68
BF100GV	67, 68
BF100V	67
BF107	103, 129
BF125	67
BF125BDV	68
BF150	67
BF150BD	68
BF200	67
BF200BD	68
BF200GE	67, 68
BF200GFV	68
BF200GV	67, 68
BF200V	67
BF207	133, 145
BF220	67
BF220BD	68
BF220GE	67, 68
BF220GV	67, 68
BF220V	67
BF300	67
BF300BD	68
BF300GE	67, 68
BF300GFE	68
BF300GFV	68
BF300GV	67, 68
BW220SWP90SS	45
CAP050	81
CAP075	81
CAP100	81
CAP125	81
CAP150	81
CAP200	81

CAP300	81
CPLG025	80
CPLG038	80
CPLG050	80
CPLG075	80
CPLG100	80
CPLG125	80
CPLG150	80
CPLG200	80
CPLG300	80
CR025	81
CR038	81
CR050	81
CR075	81
CR100	81
CR125	81
CR150	81
CR200	81
CTS200AR	62
CTS200D	62
CV050	16, 3
CV100	16
CV100MT	16
CV10175	101, 109, 115, 131, 133, 143, 145
CV221	16
CV300	16
DB20153M	54, 55
DB20290	54, 55
DM100ABSS	58
DM100ASS	58
DM100CAP	58
DM100DBSS	58
DM100DBSSE	58
DM100DBSST	58
DM100DSS	58
DM100DSSE	58
DM100DSST	58
DM100PL	58
DM101SS	58
DM10294A	58
DM10295A	58
DM10296	58
DM102SSE	58
DM102SST	58
DM102SSV	58
DM150A	54
DM150AB	54
DM150ABE	54
DM150ABSS	59
DM150ABT	54
DM150AE	54

DM150ASS	59
DM150AT	54
DM150D	54
DM150DB	54
DM150DBE	54
DM150DBSS	59
DM150DBSSE	59
DM150DBSST	59
DM150DBT	54
DM150DE	54
DM150DSS	59
DM150DSSE	59
DM150DSST	59
DM150DT	54
DM200A	55
DM200AB	55
DM200ABSS	60
DM200ACAP	59, 60
DM200ACF	40
DM200AE	55
DM200APL	59, 60
DM200ASS	60
DM200AT	55
DM200CAP	54, 55
DM200D	55
DM200DB	55
DM200DBSS	60
DM200DBSSE	60
DM200DBSST	60
DM200DCF	40
DM200DE	55
DM200DSS	60
DM200DSSE	60
DM200DSST	60
DM200DT	55
DM200PL	54, 55
DM20153F	54, 55
DM20153M	54, 55
DM201SS	59, 60
DM20200A	54, 55
DM20200D	54, 55
DM20294A	54, 55, 59, 60
DM20295A	54, 55, 59, 60
DM20296	54, 55, 59, 60
DM202SSE	59, 60
DM202SST	59, 60
DM202SSV	59, 60
DM220A	56
DM220ABSS	61
DM220ASS	61
DM220CAP	56, 61
DM220D	56

DM220DBSS	61
DM220DSS	61
DM220DSSE	61
DM220DSST	61
DM220PL	61
DM221PL	56
DM221SS	61
DM222SS	61
DM25153F	56
DM25153M	56
DM25200	56
DM25294	61
DM25294E	61
DM25294T	61
DM300ABFP	57
DM300ACF	40
DM300AFP	57
DM300CAP	57
DM300DBFP	57
DM300DCF	40
DM300DFP	57
DM300PL	57
DM35153F	57
DM35153M	57
DM35200A	57
DM35200D	57
DM35294	57
DMMT201A	55
DMMT201AE	55
DPCF100	53
DPCM100	53
DPCMT100	53
EL025-90	82
EL038-90	82
EL050-90	82
EL075-90	82
EL100-45	82
EL100-90	82
EL125-90	82
EL150-90	82
EL200-90	82
EL300-90	82
EV075	19
EV075BL	23
EV075BLXR1	23
EV075SL	23
EV075SLXR1	23
EV075XR1	19
EV100BL	23
EV100BLXR1	23
EV100FP	19
EV100SL	23

EV100SLXR1	23
EV100XR1	19
EV10210	19, 23, 28, 30, 31
EV125	19
EV125XR1	19
EV150	20
EV150BL	24
EV150BLXR1	24
EV150SL	24
EV150SLXR1	24
EV150XR1	20
EV200	20
EV200BL	24
EV200BLXR1	24
EV200SL	24
EV200SLXR1	24
EV200XR1	20
EV20210	20, 24, 28, 30, 31
EV204BLFP	25
EV204BLXR1	25
EV204FP	21
EV204SLFP	25
EV204SLXR1	25
EV204XR1	21
EV25210	21, 25, 28, 30, 31
EV300FP	22
EV300FP110	22
EV300XR1A	22
EV3300	19, 23, 28, 30, 31
EV35210	22, 29
EV4300	20, 21, 24, 25, 28, 30, 31
EVR075	19
EVR100FP	19
EVR125	19
EVR150	20
EVR204FP	21
EVR3300	19, 28, 30
EVR4300	20, 21, 28, 30
FC100	19, 20, 21, 23, 24, 25, 28, 30, 31, 47
FC200	47
FC220	41, 47
FC220B	47
FC220TB	47
FC300	41, 47
FC300B	47
FC300TB	47
FM100	42
GHFT075A	78
GHFT075D	78
GHFT075MPT	78
GHMT075B	78

GHMT075F	78
GHMT075FPT	78
GHMT075MPT	78
GHN075	78
HB025	83
HB025-038	83
HB025-038SS	83
HB025-050	83
HB025-050SS	83
HB025-90	83
HB025/038-90	83
HB025/050-90	83
HB025SS	83
HB038	83
HB038-025	83
HB038-050	83
HB038-050SS	83
HB038-90	83
HB038SS	83
HB050	83
HB050-025	83
HB050-038	83
HB050-058SS	83
HB050-075	83
HB050-075SS	83
HB050-90	83
HB050/038-90	83
HB050/075-90	83
HB050SS	83
HB075	83
HB075-038	83
HB075-050	83
HB075-050SS	83
HB075-058	83
HB075-100	83
HB075-100SS	83
HB075-90	83
HB075/050-90	83
HB075/100-90	83
HB075SS	83
HB100	83
HB100-075	83
HB100-075SS	83
HB100-125	83
HB100-90	83
HB100/075-90	83
HB100/125-90	83
HB100SS	83
HB125	83
HB125-075	83
HB125-100	83
HB125-150	83

HB125-90	83
HB125/100-90	83
HB125/150-90	83
HB125SS	83
HB150	83
HB150-100	83
HB150-125	83
HB150-200	83
HB150-90	83
HB150/125-90	83
HB150SS	83
HB200	83
HB200-150	83
HB200-90	83
HB200/150-90	83
HB200SS	83
HB300	83
HB300-90	83
HB300SS	83
HB400	83
HBB20012590	82
HBC050075	81
HBEL100-90	82
HBEL150/100-90	82
HBF075	83
HBF075-100	83
HBF100	83
HBT025	84
HBT038	84
HBT050	84
HBT050-038	84
HBT050-075	84
HBT075	84
HBT075-050	84
HBT075-050SS	3, 84
HBT075-100	84
HBT100	84
HBT100-075	84
HBT100-100	84
HBT150-100	84
HBT150-150	84
HBT200	84
HBT300	84
HM025	84
HM038	84
HM050	84
HM075	84
HM100	84
HM125	84
HM150	84
HM200	84
HM300	84

HSV1000	104, 112, 124, 132, 138, 144, 152, 156
HV200	40
HY1001	139
HY1003	105, 125
HY1012	139, 145, 157
HY1013	105, 113, 125, 133, 153
LEV025PL	18
LEV025PLST	18
LEV038	18
LEV038PL	18
LEV038PLST	18
LEV050	18
LEV050PL	18
LS050-20	91
LS050-40	91
LS050-60	91
LS050-80	91
LS050-B	92
LS050B/C1	92
LS075-20	91
LS075-40	91
LS075-60	91
LS075-80	91
LS075-B	92
LS075-C1	92
LS075-G	92
LS075-GV	92
LS075B/C1	92
LS100-20	91
LS100-40	91
LS100-80	91
LS100-B	92
LS100-C1	49, 92
LS100-G	49, 92
LS100-GV	92
LS100B/C1	92
LS120	49, 92
LS125-20	91
LS125-40	91
LS125-80	91
LS125-B	92
LS125B/C1	92
LS140	49, 92
LS150	49
LS150-06	93
LS150-12	93
LS150-120	93
LS150-20	93
LS150-30	93
LS150-50	93
LS150-80	93

LS150-B	94
LS150-C	49, 94
LS150-G	49, 94
LS150-GV	49, 94
LS150B/C	94
LS180	49, 92
LS200-06	93
LS200-100	93
LS200-12	93
LS200-120	93
LS200-20	93
LS200-30	93
LS200-50	93
LS200-80	93
LS200-B	94
LS200B/C	94
LS206	49, 90, 94
LS2100	49, 94
LS212	49, 90, 94
LS2120	49, 90, 94
LS212P	94
LS220	49, 90, 94
LS220P	94
LS230	49, 90, 94
LS250	49, 90, 94
LS250P	94
LS280	49, 90, 94
LS300EC	51, 95
LS304	51, 95
LS308	51, 95
LS312	51, 95
LS320	51, 95
LS350	51, 95
LS720	92
LS740	92
LS760	92
LS780	92
LSM300-04	95
LSM300-08	95
LSM300-12	95
LSM300-20	95
LSM300-50	95
LSQ150-06	89
LSQ150-12	89
LSQ150-120	89
LSQ150-20	89
LSQ150-30	89
LSQ150-50	89
LSQ150-80	89
LSQ150-B	90
LSQ200-06	89
LSQ200-12	89

LSQ200-120	89
LSQ200-20	89
LSQ200-30	89
LSQ200-50	89
LSQ200-80	89
LSQ200-B	90
LSQ200-C	90
LSQ200-G	90
LSQ200-GV	90
LSQ200-PL	49, 51, 88, 90, 94
LSQ200-R	49, 51
LSQ200-RV	88, 90, 94
LSS300-B	95
LSS300-BC	95
LSS300-C	95
LSS300-G	95
LSS300-GV	95
LSS300-H	95
LSS300-S	95
LSS300-SV	95
LSS306	95
LSS308	95
LSS312	95
LSS320	95
LSS330	95
LSS350	95
LST075-100	87
LST075-16	87
LST075-30	87
LST075-50	87
LST075-80	87
LST075-H	88
LST075-HB	88
LST100-100	87
LST100-16	87
LST100-30	87
LST100-50	87
LST100-80	87
LST100-B	49, 88
LST100-G	49, 88
LST100-GV	49, 88
LST100-H	88
LST100-HB	88
LST1100	49, 88
LST116	49, 88
LST125-100	87
LST125-16	87
LST125-30	87
LST125-50	87
LST125-80	87
LST125-H	88
LST125-HB	88





M200FPT	46
M200MPT	46
M200MPTSS	46
M200PLG	46
M200PLG025	46
M200PLG038	46
M200PLG050	46
M200PLG075	46
M200PLG100	46
M200SWFSS	44
M200SWP90	43
M200TEE	45
M200YG45	45
M201G	47
M220100BRB	46
M220100CPG	45
M220100TEE	45
M220125BRB	46
M220150BRB	46
M220150BRB90	47
M220150MPTSS	46
M220200CPG	45
M220200HBT	47
M220200SWP90	43
M220200TEE	45
M220250BRB	46
M220375SWFSS	44
M220A	46
M220ASWP90	43
M220BRB	46
M220BRB45	47
M220BRB90	47
M220BRBSWP90	43
M220BSP	46
M220BWASS	45
M220CPG	45
M220CPG45	41, 45
M220CPG6	41, 45
M220CPG90	45
M220CR	47
M220D	46
M220FPT	46
M220MPT	46
M220MPTSS	46
M220MPTSWP90	43
M220P6PRO	106
M220P6PROE	106
M220P6PROEW	108
M220P6PROW	108
M220PB	106
M220PBW	108
M220PH5	106

M220PH5E	106
M220PH5EW	108
M220PH5W	108
M220PH6	106
M220PH6W	108
M220PLG	46
M220PLG038	46
M220PLG075	46
M220PO	106
M220SWFSS	44
M220SWP90	43
M220SWP90SS	43
M220TEE	45
M220Y45	41, 45
M220YG45	41, 45
M221G	41, 47
M221GSA	44
M222PBIW	130
M222PIE51W	130
M222PIE5W	130
M222PIH6W	130
M222PIHYW	132
M300200CPG	45
M300220BRB	46
M300220BRB90	47
M300220CPG	41, 45
M300220MPTSS	46
M300300HBT	47
M300375SWFSS	44
M300A	46
M300ASWP90	43
M300BRB	46
M300BRB45	47
M300BRB90	47
M300BRBSWP90	43
M300BSP	46
M300CPG	45
M300CPG45	41, 45
M300CPG7	41, 45
M300CPG90	45
M300CR	47
M300FPT	46
M300MPT	46
M300MPTSS	46
M300MPTSWP90	43
M300P11PRO	110
M300P11PROW	114
M300P6PRO	110
M300PB	110
M300PBW	114
M300PH11W	114
M300PH6	110

M300PH6W	114
M300PLG	46
M300PLG075	46
M300PLG100	46
M300PO	110
M300SWFSS	44
M300SWP90	43
M300SWPG90	43
M300TEE	45
M300Y45	41, 45
M300YG45	41, 45
M301G	41, 47
M301GSA	44
M303D	46
M332PBIW	142
M332PIE101W	142
M332PIE10W	142
M332PIH13W	142
M332PIHYW	144
M332POIW	142
MBF100	52
MBF100BD	52
MBF100BDV	52
MBF100V	52
MBF150200BD	52
MBF200	52
MBF200BD	52
MBF200V	52
MBF220	52
MBF220BD	52
MBF220V	52
MBF300	52
MBF300BD	52
MBF300BDV	52
MBF300V	52
MBP200	64
MCV100	44
MCV200	44
MCV221	44
MCV300	44
MEV100BLCF	31
MEV100BLXR1	31
MEV100CF	28
MEV100SLCF	30
MEV100SLXR1	30
MEV100XR1	28
MEV102CF	26
MEV103CF	26
MEV104CF	26
MEV105CF	26
MEV200BLCF	31
MEV200BLXR1	31

MEV200CF	28
MEV200SLCF	30
MEV200SLXR1	30
MEV200XR1	28
MEV220BLCF	31
MEV220BLXR1	31
MEV220CF	28
MEV220SLCF	30
MEV220SLXR1	30
MEV220XR1	28
MEV225H	3, 33
MEV300CF	29
MEV300XR1A	29
MEVR100CF	28
MEVR100SLCF	30
MEVR200CF	28
MEVR200SLCF	30
MEVR220CF	28
MEVR220SLCF	30
MFM100	42
MFM220	42
MFM300	42
MHV200	40
MHV220A	40, 41
MIS220	41
MIS300	41
MLEV100	27
MLS100-20	48
MLS100-40	48
MLS100-50	48
MLS100-80	48
MLS100B	49
MLS100BC	49
MLS200-06	48
MLS200-100	48
MLS200-12	48
MLS200-120	48
MLS200-20	48
MLS200-30	48
MLS200-50	48
MLS200-50M	48
MLS200-80	48
MLS200B	49
MLS200BC	49
MLS2100SS	51
MLS220C1	51
MLS220G1	51
MLS220R1	51
MLS222-04	50
MLS222-06	50
MLS222-08	50
MLS222-10	50

MLS222-100	50
MLS222-16	50
MLS222-30	50
MLS222-50	50
MLS222-80	50
MLS222B	51
MLS222BC	51
MLS250SS	51
MLS280SS	51
MLS300-08	50
MLS300-12	50
MLS300-20	50
MLS300-50	50
MLS300B	51
MLS300B1	95
MLS300CAP	51, 95
MLS300ECG	51, 95
MLS300ECGV	51, 95
MLS300G	51, 95
MLS300GV	51, 95
MLST100-100	48
MLST100-16	48
MLST100-30	48
MLST100-50	48
MLST100-80	48
MLST100-H	49
MLST100-HB	49
MLST150-100	48
MLST150-16	48
MLST150-30	48
MLST150-50	48
MLST150-80	48
MLST150-H	49
MLST150-HB	49
MLSTM100-100	2
MLSTM100-100C	2
MLSTM100-30	2
MLSTM100-30C	2
MLSTM100-50	2
MLSTM100-50C	2
MLSTM100-80	2
MLSTM100-80C	2
MLV100V	5
MPRV100-100	39
MPRV100-125	39
MSUV100FP	15
MSW220	44
MTF220BD	52
MTF300BD	52
MV100BL	38
MV100CF	32
MV100SL	39

MV200BL	38
MV200CF	32
MV200SL	39
MV220BL	38
MV220CF	32
MV220SL	39
MV225CF	33
MV300	32
MV300BL	38
MV300CF	32
MV301CF	41
MVE004	19, 20, 21, 23, 24, 25, 28, 30, 31
MVS220CF	34, 41
MVS220FP	34
MVS220HSFP	35
MVS220SS	35
MVS300CF	36
MVS300CFFP	36
MVS300HSFP	37
MVSF220FP	34
MVSF220HSFP	35
MVSF220SS	35
MVSF300	36
MVSF300FP	36
MVSF300HSFP	37
MVSMT220FP	34
MVSMT220HSFP	35
MVSMT220SS	35
MVSMT300	36
MVSMT300HSFP	37
NIP025-SH	80
NIP038-SH	80
NIP050-3	80
NIP050-SH	80
NIP075-4	80
NIP075-6	80
NIP075-SH	80
NIP100-4	80
NIP100-6	80
NIP100-SH	80
NIP125-4	80
NIP125-6	80
NIP125-SH	80
NIP150-3	80
NIP150-4	80
NIP150-5	80
NIP150-6	80
NIP150-SH	80
NIP200-4	80
NIP200-6	80
NIP200-SH	80

NIP2101	64
NIP300-4	80
NIP300-6	80
NIP300-SH	80
NIP400-SH	80
PLUG025	81
PLUG038	81
PLUG050	81
PLUG075	41, 81
PLUG075S	90
PLUG100	81
PLUG125	81
PLUG150	81
PLUG200	81
PLUG300	81
PRC200	2, 97
PV075	16
PV075V	16
PV100	16
PV100-075	16
PV100-075B	16
PV100-075BV	16
PV100-075V	16
PV100V	16
PV10265	16
PV10265V	16
RB038-025	80
RB050-025	80
RB050-038	80
RB075-018	80
RB075-025	80
RB075-038	80
RB075-050	80
RB100-025	80
RB100-050	80
RB100-075	80
RB125-075	80
RB125-100	80
RB150-075	80
RB150-100	80
RB150-125	80
RB200-075	80
RB200-100	80
RB200-125	80
RB200-150	80
RB300-150	80
RB300-200	80
RB400-300	80
RC100-075	80
RC150-100	80
RC150-125	80
RC200-050	80

RC200-100	80
RC200-125	80
RC200-150	80
RC300-200	80
RN050-038	80
RN075-050	80
RN100-050	80
RN100-075	80
RN125-075	80
RN125-100	80
RN150-100	80
RN150-125	80
RN200-125	80
RN200-150	80
RN300-200	80
RS21	84
RSTB	84
SL025-90	82
SL038-90	82
SL050-90	82
SL075-45	82
SL075-90	82
SL100-45	82
SL100-90	82
SL125-45	82
SL125-90	82
SL150-45	82
SL150-90	82
SL200-45	82
SL200-90	82
SL300-45	82
SL300-90	82
ST200	65
ST300	65
SUV050FP	15
SUV075FP	15
SUV100FP	15
SUV125FP	15
SUV150FP	15
SUV200FP	15
SW100	84
SW150	84
SW220	84
TA283	66
TA283QD	66
TC120	79
TC130	79
TC150	79
TC162	79
TC181	79
TC193	79
TC206	79

TC218	79
TC224	79
TC231	79
TC250	79
TC287	79
TC312	79
TC331	79
TC343	79
TC425	79
TC438	79
TC456	79
TEE025	81
TEE038	81
TEE050	81
TEE075	81
TEE100	81
TEE125	81
TEE150	81
TEE200	81
TEE300	81
TEG075	81
TEG100	81
TF038SS	69
TF050	69
TF050SS	69
TF075	69
TF075SS	69
TF075V	69
TF100	69
TF100AV	70
TF100SS	69
TF125	69
TF125AV	70
TF125SS	69
TF138GV	69
TF150	69
TF150AV	70
TF150SS	69
TF200	69
TF200AV	70
TF200SS	69
TF200V	69
TF220	69
TF220G	69
TF220GV	69
TF220SS	69
TF300	69
TF300G	69
TF300GV	69
TF300SS	69
TF400	69
TF400G	69

TF400GV	69
TL600C	65
TL650E	65
TL650S	65
TL651S	65
TL652E	65
TL652S	65
TL6531	66
TLA10	65
TLV1	65
TLV10R	65
TLV2	65
TLVA10	65
TM075/050	84
UB100	45
UB202	45
UB220	45
UV050FP	15
UV075FP	15
UV100FP	15
UV125FP	15
UV150FP	15
UV15163	101, 105, 109, 115, 117, 119, 121, 123, 125, 131, 133, 135, 137, 139, 143, 145, 151, 49, 99
UV15163V	103, 149, 151, 153, 155, 157, 88
UV200FP	15
UV204FPFD	64
V050	6
V07018	101, 103, 105, 107, 109, 111, 113, 115, 99
V07019	101, 103, 105, 107, 109, 111, 113, 115, 99
V075	6
V075BL	13
V075SL	13
V100	6
V100BL	13
V100FP	6
V100SL	13
V10117	131, 145
V10118	117, 119, 121, 123, 125, 127, 129, 131, 133, 143, 145, 149, 151, 153
V10119	103, 117, 119, 121, 123, 125, 127, 143, 149, 151, 153
V10153138	6
V10153138BL	6
V10161	14
V10264	147
V10270	6
V10271	6
V125	6
V125BL	13
V125FP	6

V125SL	13
V150	6
V150BL	13
V150SL	13
V200	6
V20011SS	141, 147
V20018	103, 105, 113, 123, 125, 129, 133, 135, 137, 139, 141, 147, 151, 153, 155, 157
V20019	129, 135, 137, 139, 155, 157
V200BL	13
V200FP	7
V200SL	13
V20153138	6
V20153138BL	6
V20207	66, 76
V204FP	8
V25153138	6
V25153138BL	6
V25270	6, 7
V25271	6, 7
V300	7
V300FP	7
V400	7
VA150	14
VA200	14
VA200FP	14
VC200	70
VC230	70
VC300	70
VC330	70
VE5630	22, 29
VE5793	22
VFMT200FP	7
VFMT204FP	8
VL20153	6
VL25153	7
VN100	14
VS204FP	10
VSF200	9
VSF200CF	34
VSF200FPAF	8
VSF204FP	10
VSF300	11
VSFHB200	9
VSFMT200	9
VSFMT204FP	10
VSFMT204HSFP	10
VSFMT220SS	35
VSFMT300	11
VSFMT300FP	12
VSFMT300HSFP	12
VSMT200	9

VSMT200CF	34
VSMT200DPC	2
VSMT200FPAF	8
VSMT204FP	10
VSMT300	11
VSS025	16
VSS038	16
VSS050	16
VSS075	16
VSS100	16
VSS125	16
VSS150	16
VSS200	16
VSS300	16
W230237	62
W230238	62
W230239	62
W230240	62
WSF210FSA	63
WSF210FSAV	63
WSMT210FSA	63
WSMT210FSAV	63



**BANJO CORPORATION**  
A Unit of IDEX Corporation  
150 Banjo Drive  
Crawfordsville, IN 47933 U.S.A.  
Telephone: (765) 362-7367  
Fax: (765) 362-0744  
[banjocorp.com](http://banjocorp.com)

Follow us on:



Scan to visit  
[BanjoCorp.com](http://BanjoCorp.com)

