



DOSATRON®

WATER POWERED DOSING TECHNOLOGY



D25F1 - 11 GPM INTERACTIVE SCHEMATICS

UNIT SPECIFICATIONS

- 1:100 FIXED
- 4.3 - 85 PSI
- 3/4" NPT Connection

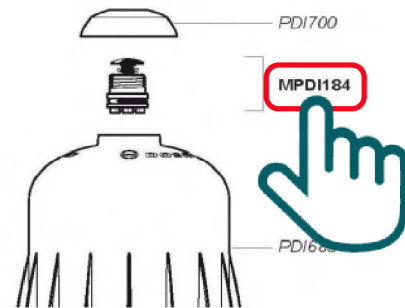
SUGGESTED INSTALLATION

- 200 mesh/80 micron water filter prior to the unit
- One-way check valve down-stream from the unit for water hammer protection

SUGGESTED MAINTENANCE

- Mini-Maintenance Kit
Part #: [PJ117MINI-H](#)
For regular maintenance
- Injection Seal Kit
Part #: [PJ117](#)
For yearly maintenance

DOCUMENT INSTRUCTIONS

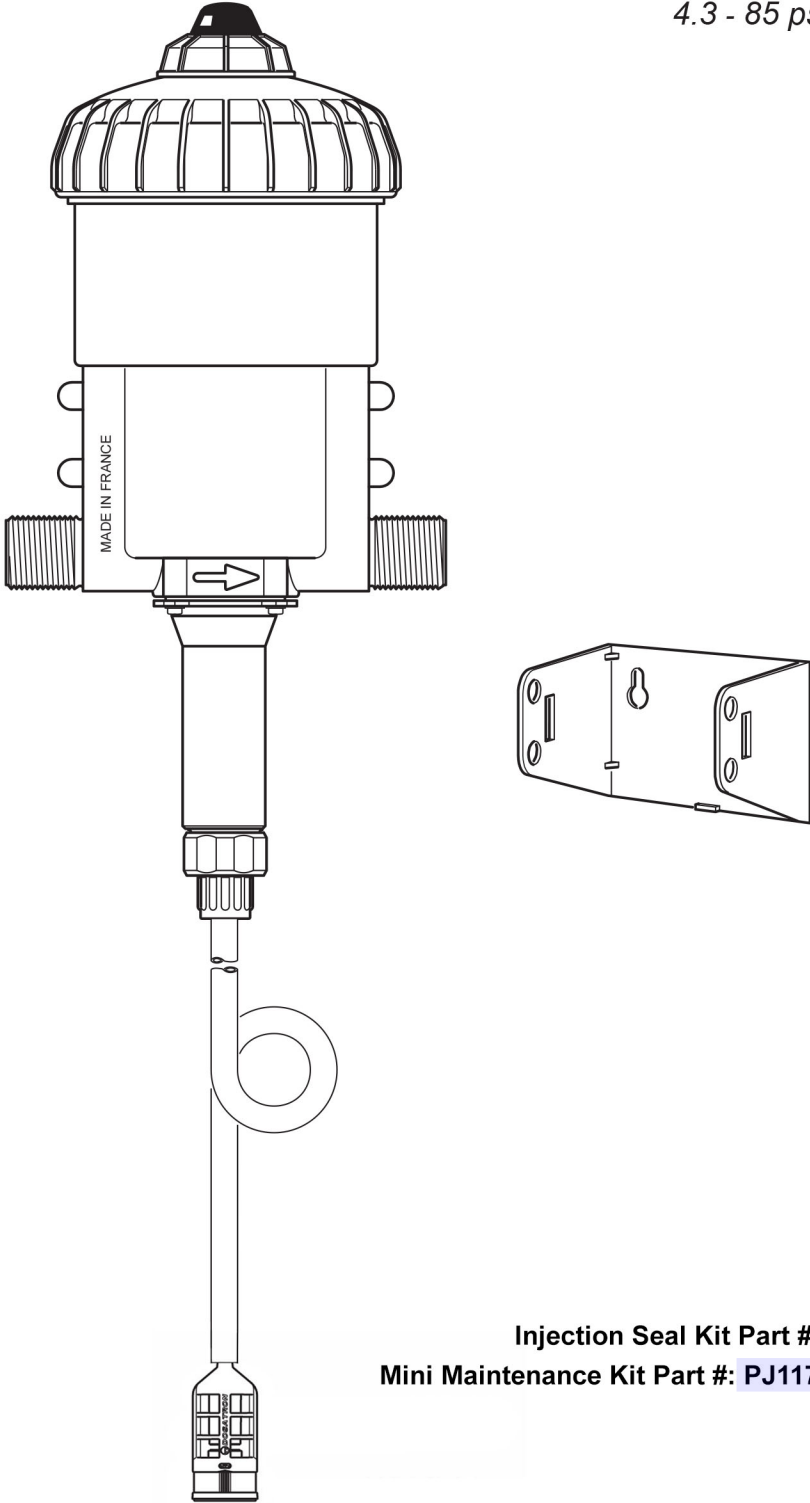


- Click on a part #, to visit item page
- Click arrow back from item page, to return to this document



D25F1

2.5 m³/h - 1%
11 GPM - 1:100
0.3 - 6 bar
4.3 - 85 psi

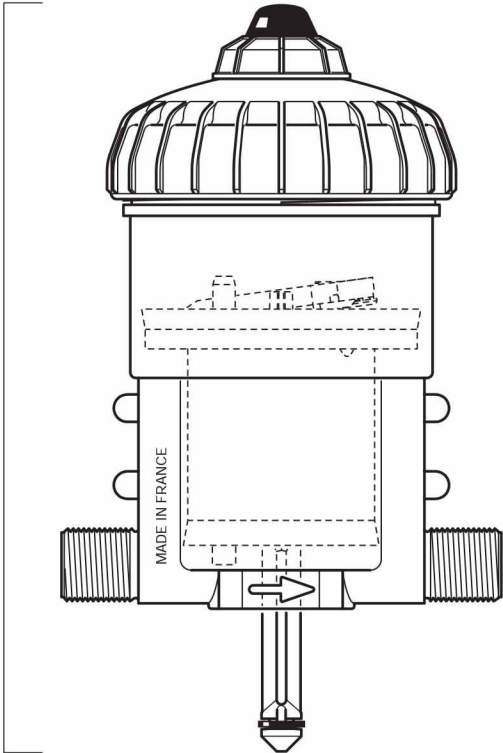


Injection Seal Kit Part #: **PJ117**
Mini Maintenance Kit Part #: **PJ117MINI-H**

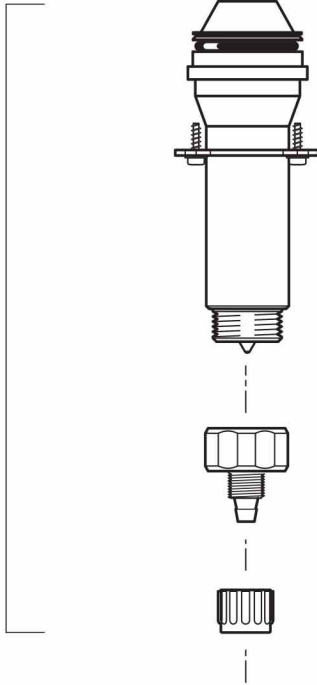
D25F1

2.5 m³/h - 1%
11 GPM - 1:100
0.3 - 6 bar
4.3 - 85 psi

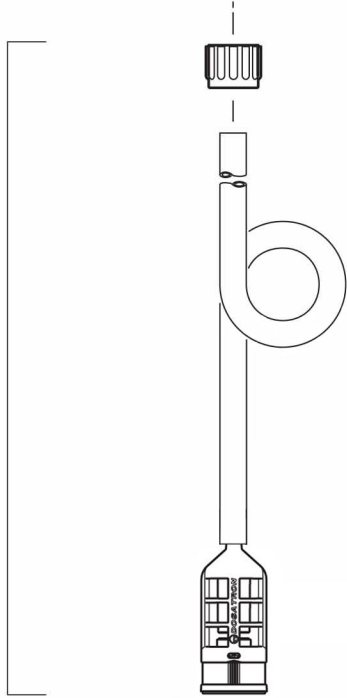
C+M



D

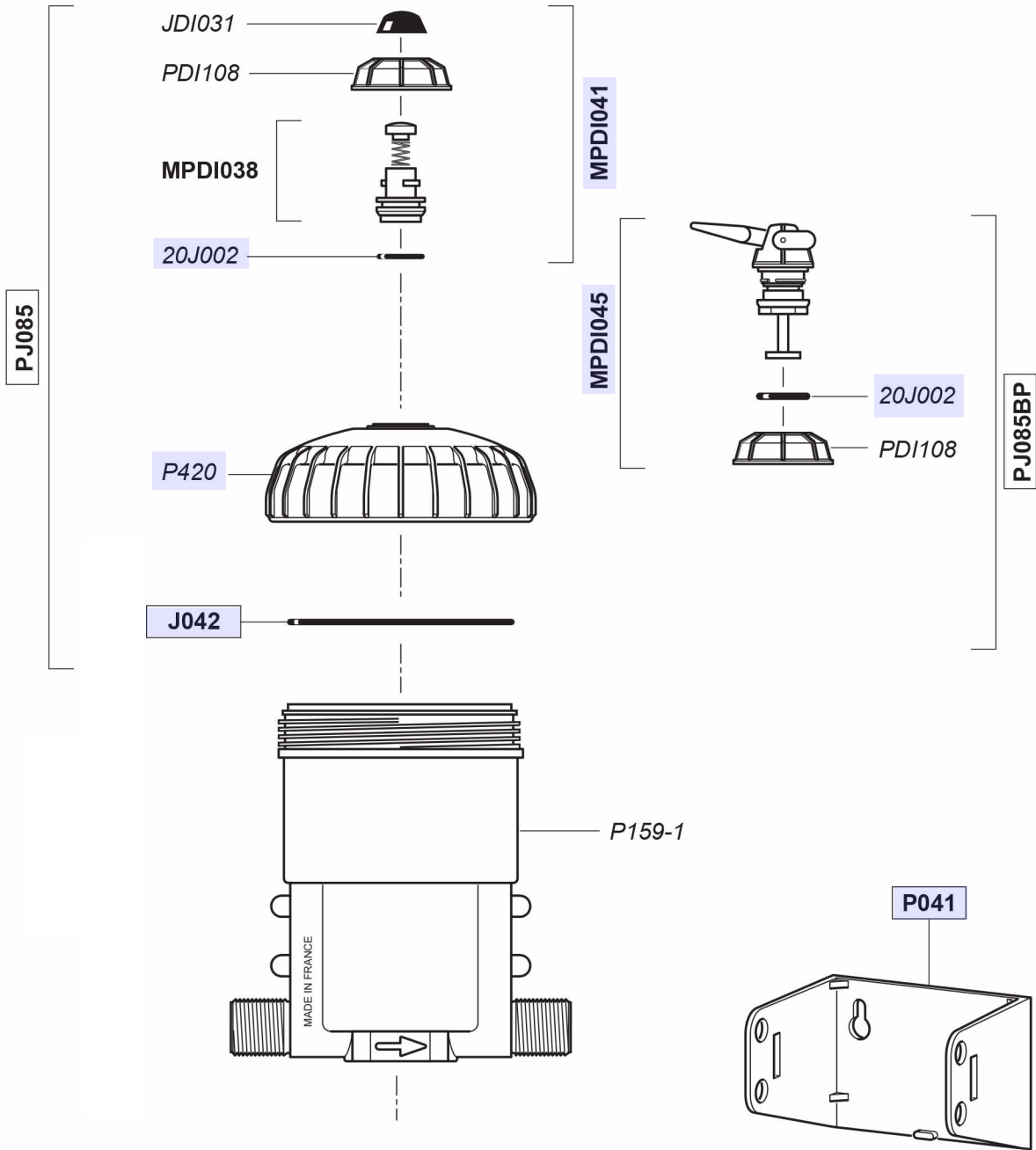


A



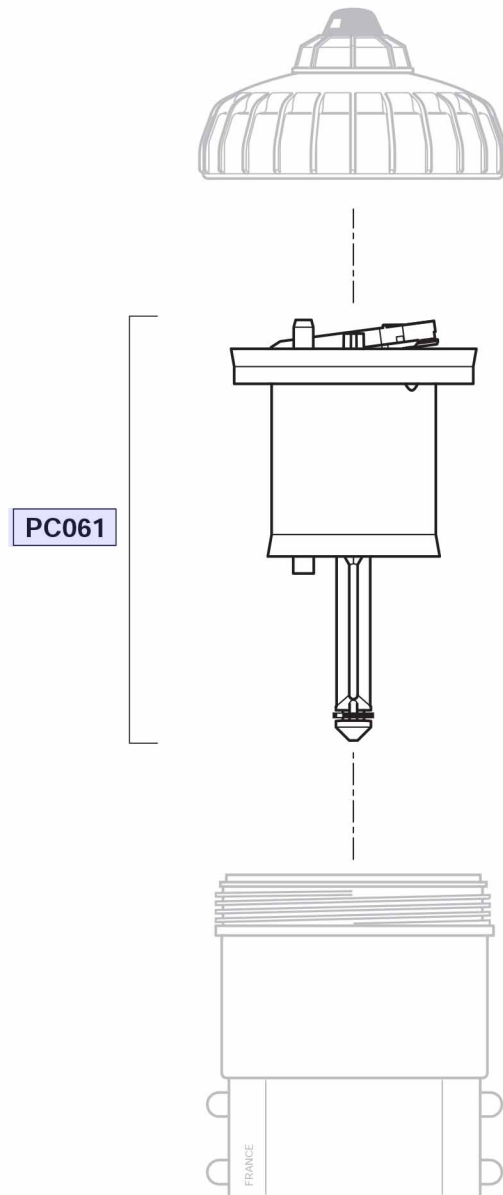
D25F1

2.5 m³/h - 1%
11 GPM - 1:100
0.3 - 6 bar
4.3 - 85 psi



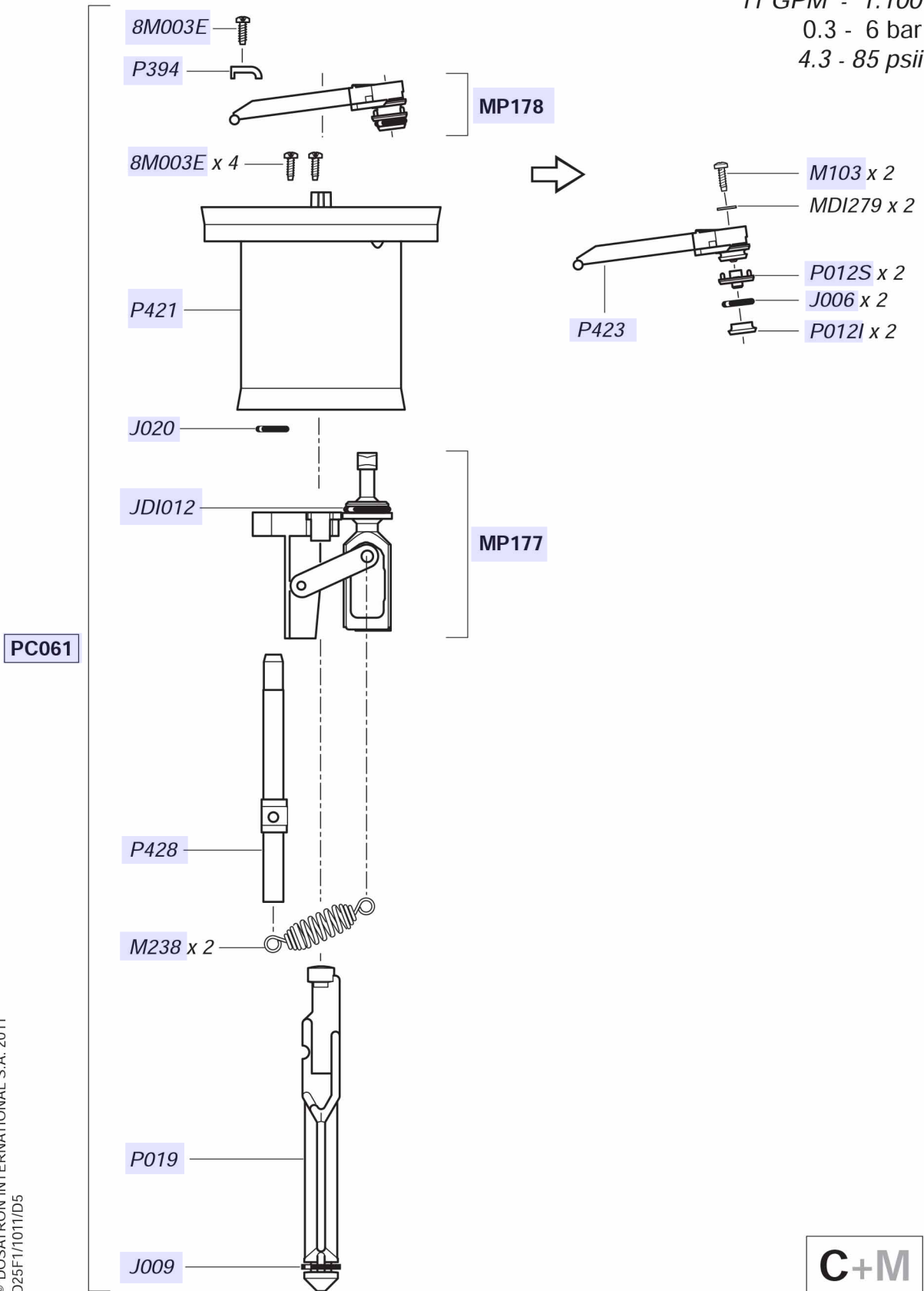
D25F1

2.5 m³/h - 1%
11 GPM - 1:100
0.3 - 6 bar
4.3 - 85 psi



D25F1

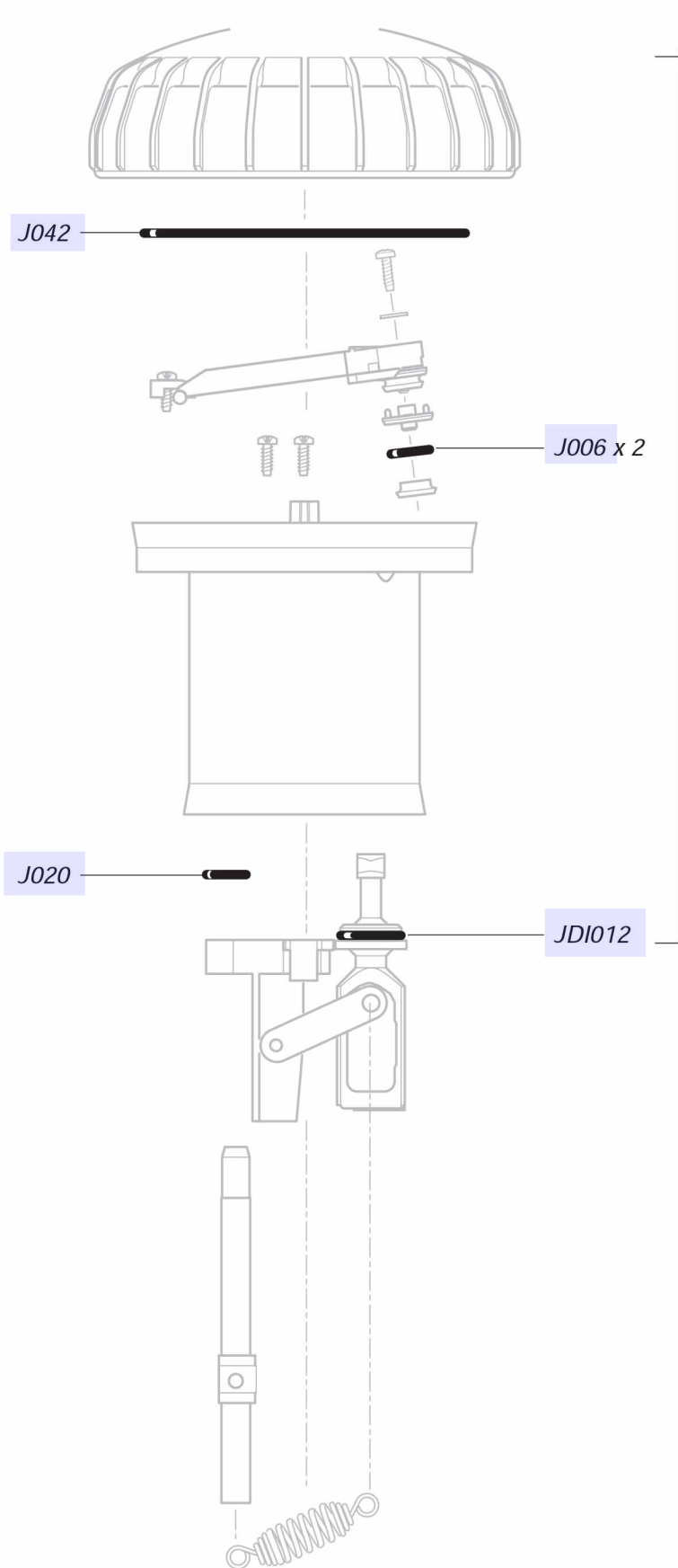
2.5 m³/h - 1%
 11 GPM - 1:100
 0.3 - 6 bar
 4.3 - 85 psii



© DOSATRON INTERNATIONAL S.A. 2011
 D25F1/1011/D5



D25F1



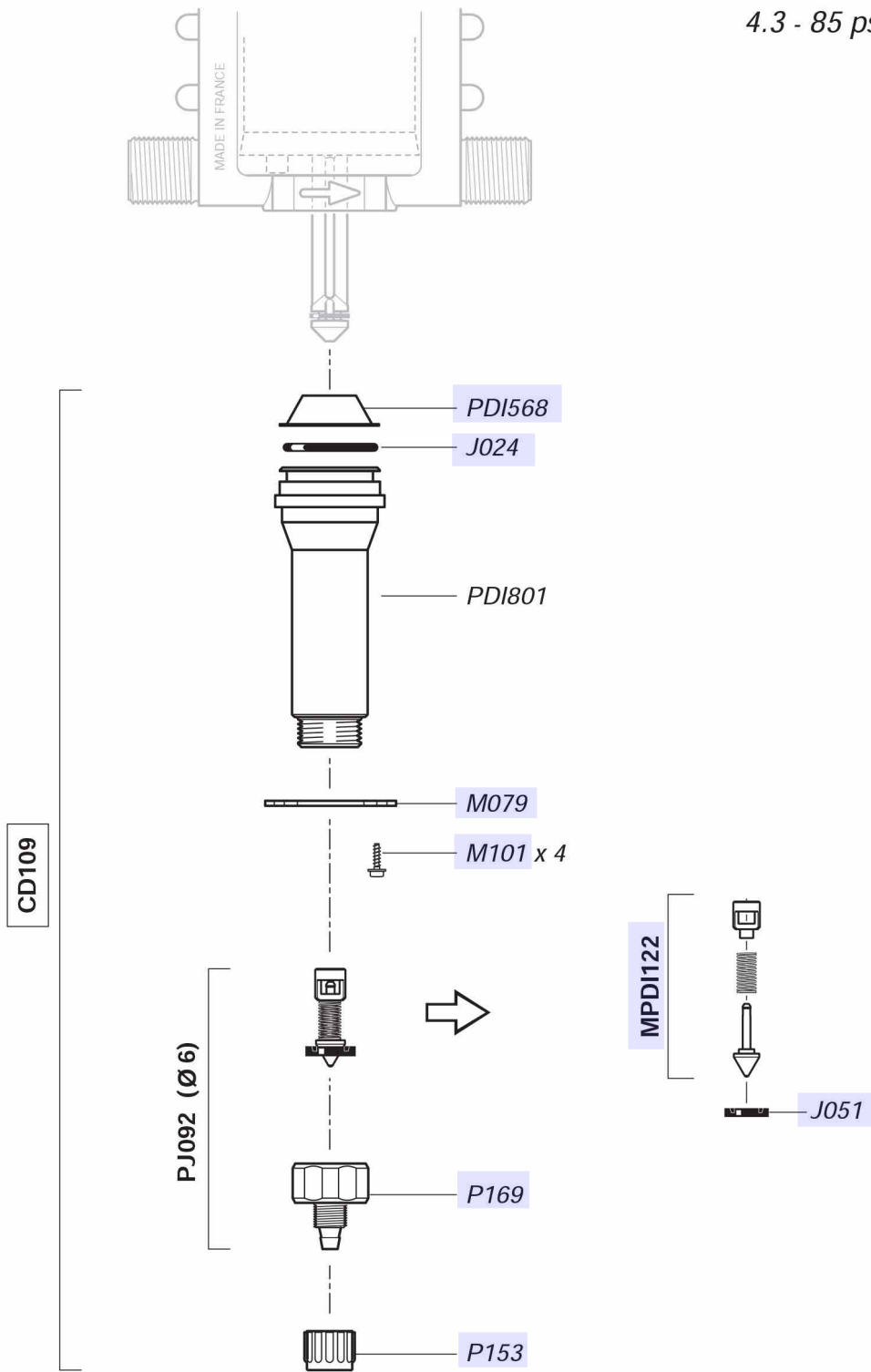
2.5 m³/h - 1%
11 GPM - 1:100
0.3 - 6 bar
4.3 - 85 psi

EM004



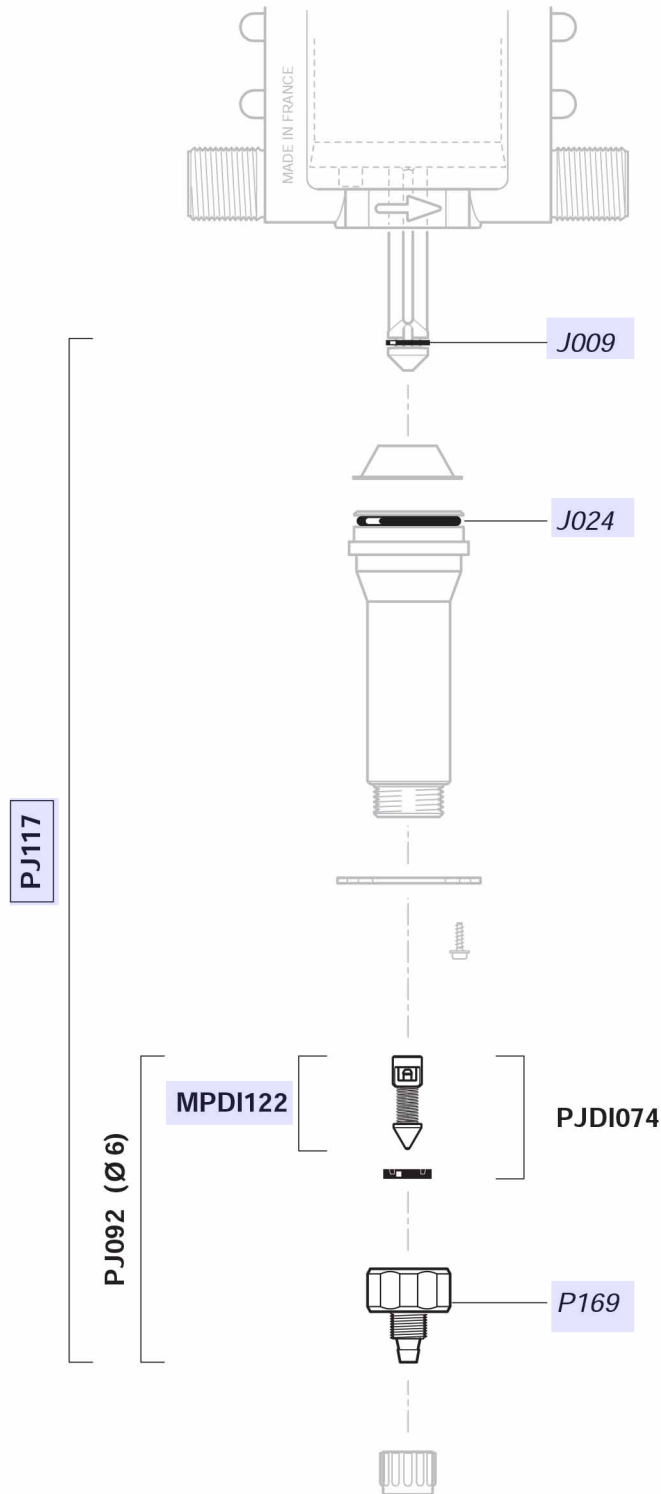
D25F1

2.5 m³/h - 1%
11 GPM - 1:100
0.3 - 6 bar
4.3 - 85 psi



D25F1

2.5 m³/h - 1%
11 GPM - 1:100
0.3 - 6 bar
4.3 - 85 psi



D25F1

2.5 m³/h - 1%
11 GPM - 1:100
0.3 - 6 bar
4.3 - 85 psi

