

Bedienungsanleitung

Instruction manual

Manuel d'utilisation

Manual de instrucciones

Druckreduzierventil Typ 582

Pressure Reducing Valve Type 582

Réducteur de pression type 582

Válvula reductora de presión tipo 582

Druckhalteventil Typ 586

Pressure Retaining Valve Type 586

Détendeur de pression type 586

Válvula de retención de presión tipo 586






Contents

Contents.....	28
1 About this document.....	29
1.1 Warnings.....	29
1.2 Further symbols and labels.....	29
1.3 Other related documents.....	29
2 Safety and responsibility	30
2.1 Intended use.....	30
2.2 Safety information.....	30
3 Transport and storage.....	30
4 Design.....	31
4.1 Pressure reducing valve	31
4.2 Pressure retaining valve.....	32
4.3 Manometer	33
5 Function.....	33
5.1 Pressure reducing valve	33
5.2 Druckhalteventil.....	33
6 Identification.....	34
6.1 Valve type/sealing material (O-rings).....	34
7 Technical specifications	34
8 Required tools.....	35
9 Installation	35
10 Operation.....	38
10.1 Pressure test.....	38
10.2 Setting the working pressure.....	38
11 Maintenance.....	40
11.1 Replacing diaphragm and O-ring.....	41
11.1.1 Disassembly.....	41
11.1.2 Assembly.....	43
11.2 Cleaning the inner body.....	45
12 Troubleshooting	46
13 Spare Parts.....	48
14 Accessories	48
15 Disposal.....	48
16 EC Manufacturer's declaration	49



1 About this document

1.1 Warnings

In this instruction manual, warnings are used, which shall warn you of death, injuries or material damage. Always read and observe these warnings!

Warning symbol	Meaning
 DANGER	Imminent danger! Non-observance of these warnings can result in death or extremely severe injuries. ► Measures to avoid the danger.
 WARNING	Possible imminent danger! Non-observance of these warnings can result in severe injuries. ► Measures to avoid the danger.
 CAUTION	Dangerous situation! Non-observance of these warnings can result in minor injuries. ► Measures to avoid the danger.
CAUTION	Dangerous situation! Non-observance of these warnings can result in material damage. ► Measures to avoid the danger.

1.2 Further symbols and labels

Symbol	Meaning
	Remarks: Contain especially important information for better understanding.
	Call for action: Here, you have to do something.
1.	Call for action in a certain order: Here, you have to do something.

1.3 Other related documents

- Georg Fischer planning fundamentals industry

These documents can be obtained via the agency of GF Piping Systems or under www.gfps.com.

2 Safety and responsibility

2.1 Intended use

Pressure reducing valves type 582 and the pressure retaining valves type 586 are intended to be operated with pure, non-abrasive liquid media. The product and all of its components are intended to be used within the permitted pressure and temperature limits and in accordance with their chemical resistance.

Pressure reducing valve type 582

The pressure reducing valves type 582 are intended to reduce the system pressure, after installation into a piping system, and to keep it constant at the specified value to the greatest possible extent.

Pressure retaining valve type 586

The pressure retaining valves of type 586 are intended to keep the system pressure, after installation into a piping system, and to keep it constant at the specified value to the greatest possible extent.

Foreseeable misuse

The pressure reducing valves type 582 and the pressure retaining valves type 586 are **not** intended to be used as shut-off devices.

The pressure reducing valves type 582 and the pressure retaining valves type 586 are **not** intended to be operated with gases or other compressible media.

2.2 Safety information

In order to provide safety in the plant, the operator is responsible for the following measures:

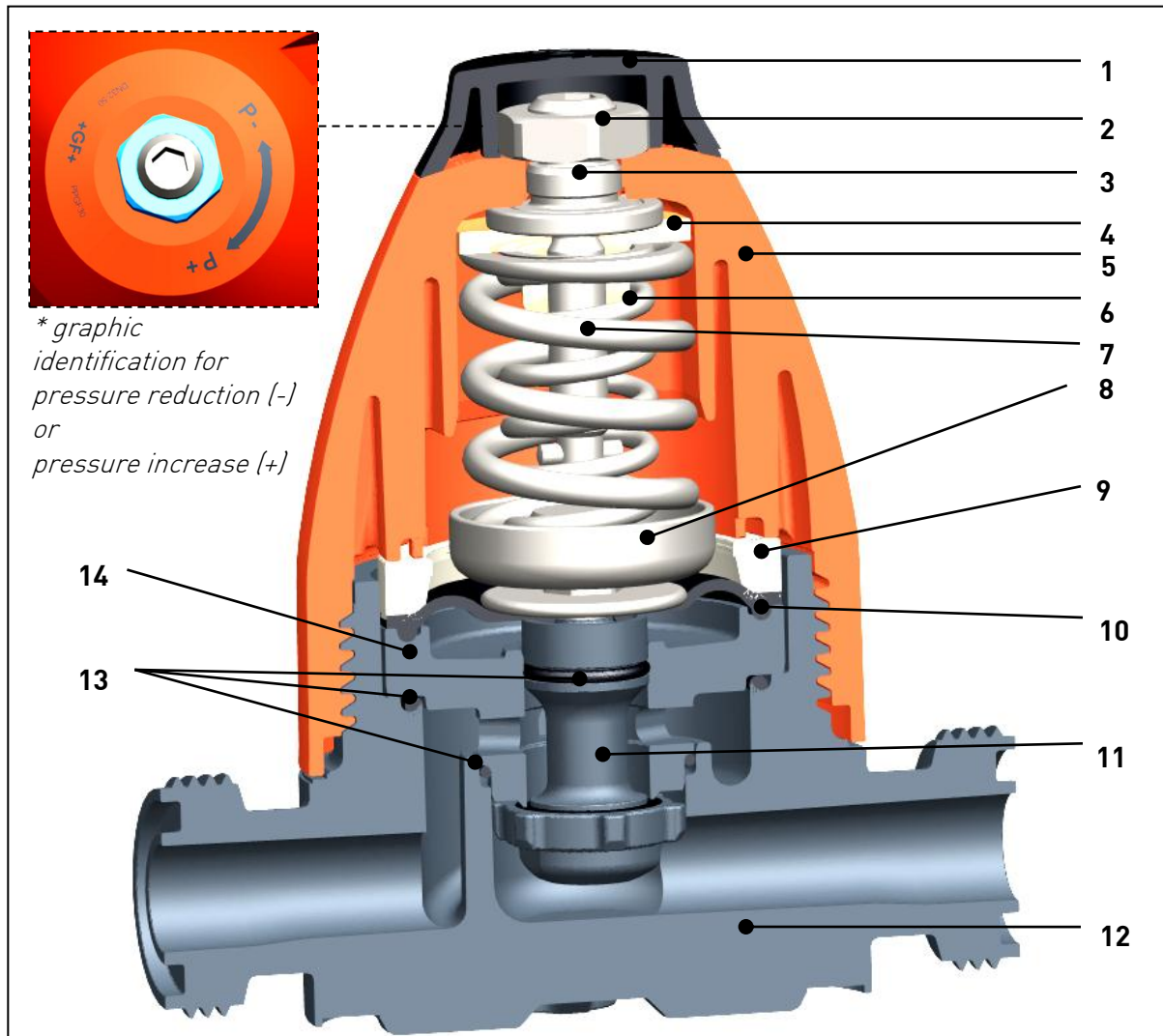
- ▶ Only use product as intended, see intended use.
- ▶ Do not use any damaged or faulty product. Sort out any damaged product immediately.
- ▶ Make sure that the piping system has been installed professionally and is inspected regularly.
- ▶ Product and accessories shall only be installed by persons who have the required training, knowledge or experience.
- ▶ Regularly train personnel on all questions pertaining to the locally applicable regulations on occupational safety and environmental protection, especially on pressure-retaining pipelines.

3 Transport and storage

- ▶ Protect the product against external force during transport (impact, stroke, vibrations etc.).
- ▶ Transport and/or store product in its unopened original packaging.
- ▶ Protect the product from dust, dirt, moisture as well as heat and ultraviolet radiation.
- ▶ Ensure that the product has not been damaged neither by mechanical nor thermal influences.
- ▶ Check the product prior to assembly on transport damages.

4 Design

4.1 Pressure reducing valve

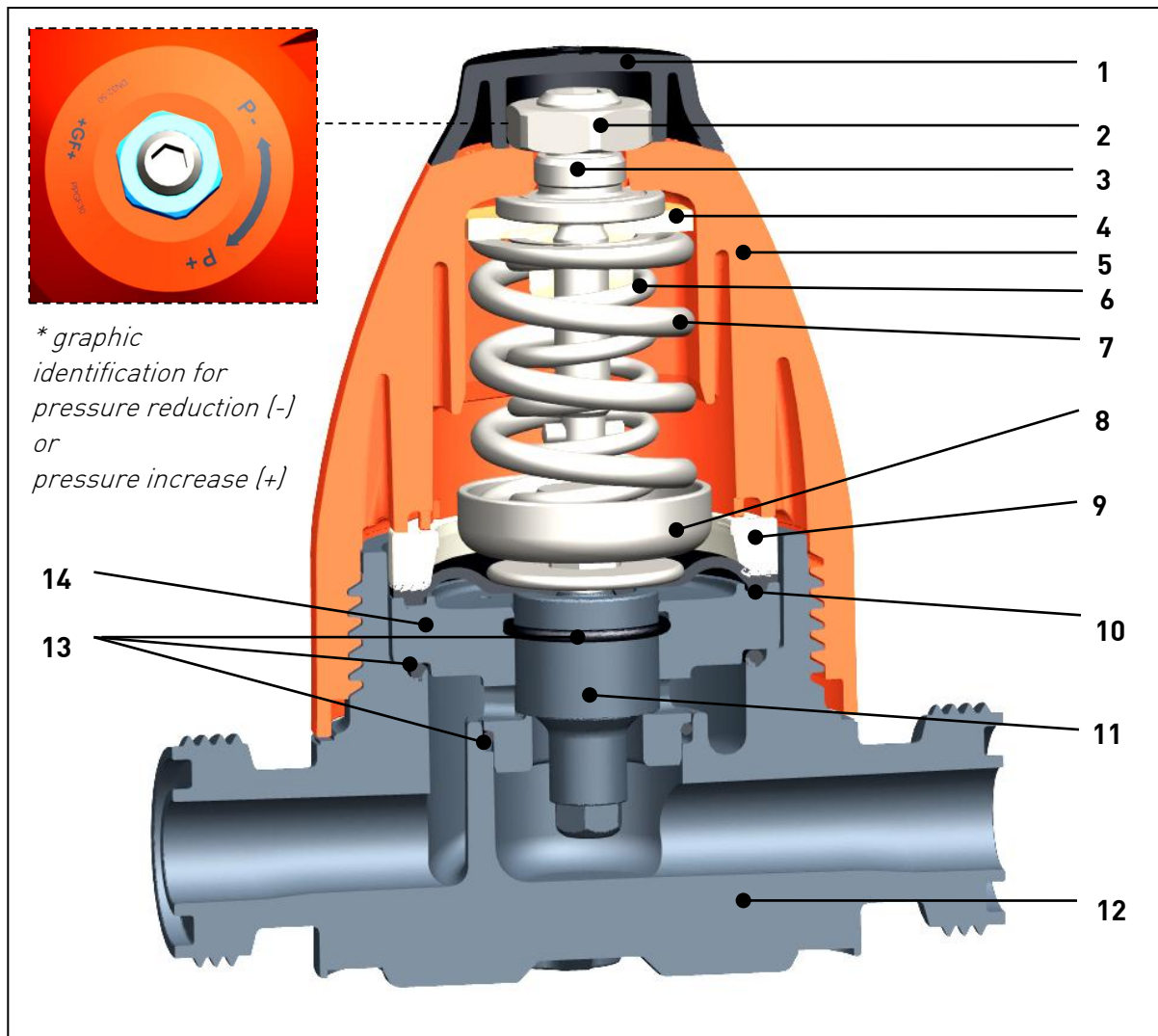


1	Cap	8	Compression piece
2	Locking nut	9	Retaining ring
3	Spindle/adjusting screw	10	Diaphragm
4	Spring retainer	11	Piston
5	Bonnet assembly (top part) *	12	Body
6	Inner spring	13	O-rings
7	Outer spring	14	Inner body



Diaphragm, O-rings, diaphragm washer, inner body and piston constitute the cartridge.

4.2 Pressure retaining valve

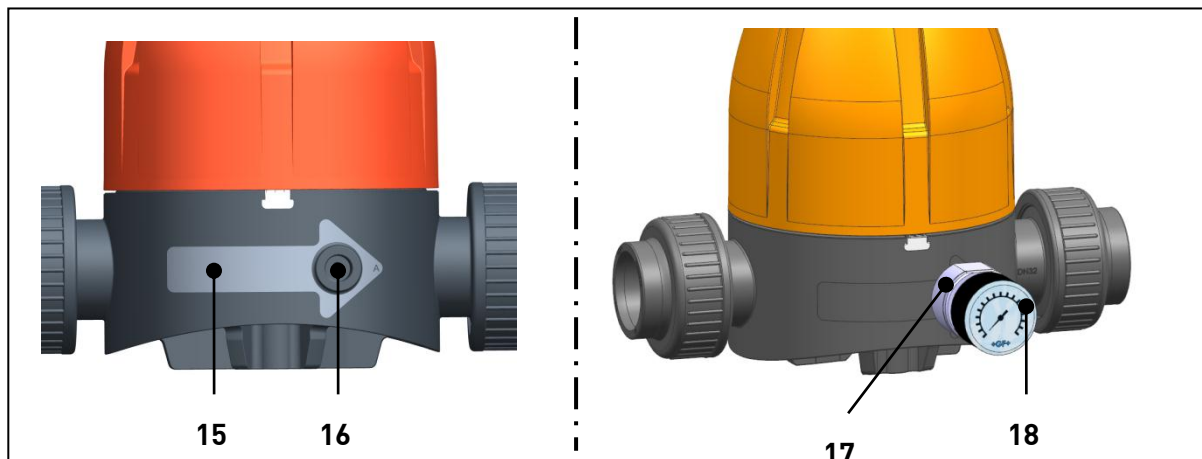


1	Cap	8	Pressure piece
2	Locking nut	9	Retaining ring
3	Spindle/adjusting screw	10	Diaphragm
4	Spring retainer	11	Piston
5	Bonnet assembly (top part)*	12	Body
6	Inner spring	13	O-rings
7	Outer spring	14	Inner body



Diaphragm, O-rings, diaphragm washer, inner body and piston constitute the cartridge.

4.3 Manometer



15	Indication of flow direction	17	Manometer adaptor (optional)
16	Manometer socket	18	Manometer



If pressure reducing valve type 582/pressure retaining valve type 586 is a manometer version, then the manometer is already fitted at the factory.

5 Function

5.1 Pressure reducing valve

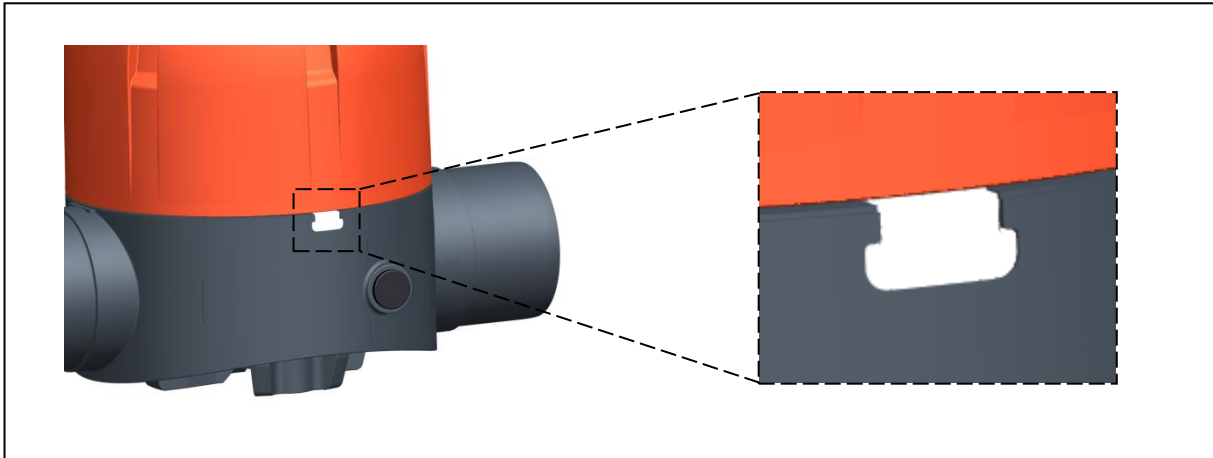
On the side of the valve outlet, the pressure acts via the diaphragm on the adjustable spring. A balance of forces is established via the preloaded spring, which is set with the adjusting screw at the valve. If the outlet pressure increases above the specified value, the piston is lifted against the spring force. The valve closes, and the outlet pressure is reduced. If the outlet pressure decreases below the value, the piston is pushed down by the spring resistance. The valve begins to open, until the balance is reached again. Independent of an increasing or decreasing inlet pressure, the outlet pressure remains constant to the greatest possible extent, because it is not directly related to the inlet pressure.

5.2 Druckhalteventil

The desired pressure in the valve inlet pipe is set by the adjustable spring force. If the inlet pressure rises above the set value, e.g. due to an over capacity of the pump, the valve piston is lifted against the spring force. Consequently, the valve opens, and there is a reduction of pressure in the outlet. If the pressure decreases in the valve inlet pipe, the spring resistance pushes the piston down in the direction of the valve seat and closes, as soon as the inlet pressure sinks below the preset spring tension. In this way, a constant pressure in the supply line is ensured.

6 Identification

6.1 Valve type/sealing material (O-rings)



Valve type	Sealing material	Colour of index plate
Pressure reducing valve type 582	EPDM	white
Pressure reducing valve type 582	FPM	green
Pressure retaining valve type 586	EPDM	black
Pressure retaining valve type 586	FPM	red

7 Technical specifications

Dimensions	DN 10-50 (3/8" – 2")
Materials	PVC-U, PVC-C, PP-H, PVDF
Diaphragm	EPDM/PTFE
Gaskets	EPDM, FPM
Connections	Fittings, spigots
Pressure level (nominal pressure)	PN 10
Adjustable pressure ranges	0.5 - 9 bar / optional 0.3 - 3 bar (7 - 130 psi / optional 4 - 44 psi)
Hysteresis	max. 0.5 bar (max. 6 psi)
Pressure difference	Pressure difference between inlet and outlet: min. 1 bar

8 Required tools

Tool	DN 10/15	DN 20/25	DN 32/40/50
Allen wrench	AF 6	AF 8	AF 10
Open-end wrench	AF 19	AF 24	AF 30
Hook wrench or strap wrench	80 - 90 mm	95 - 100 mm	135 - 145 mm
Screw driver	Size 1		
Fixing unit, e.g. jaw vice	no difference		

9 Installation

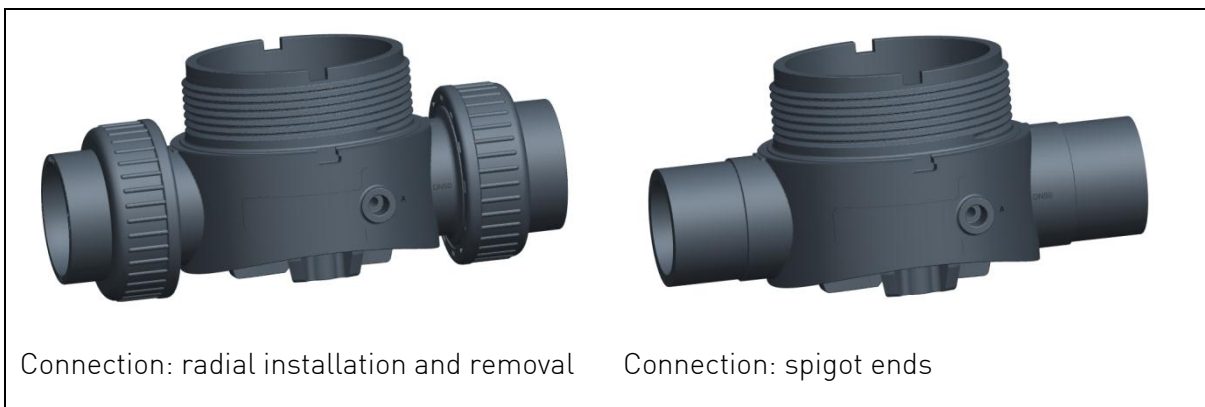


WARNING – ONLY FOR MANOMETER VERSION

**Danger of material damage and/or injury due to changes of the manometer!
Valid for versions with and without adaptor.**

- ▶ The manometer is installed, preset and checked at the factory. Therefore, ensure that no changes are made at the manometer.

The valve bodies are suited for various connection types:



Pressure reducing valves type 582/pressure retaining valves type 586 are supplied with released spring.

- ▶ Ensure that pressure reducing valve type 582/pressure retaining valve type 586 is suited for operating conditions, see label.
- ▶ Check pressure reducing valve type 582/pressure retaining valve type 586 on damages before installation. Do not use any damaged or faulty product.
- ▶ Ensure that the installation of pressure reducing valve type 582/pressure retaining valve type 586 is carried out without tension.
- ▶ In order to ensure an optimum flow rate, ensure that
 - pressure reducing valve type 582/pressure retaining valve type 586 is installed in a section of the pipeline that is not subjected to turbulent flow and that
 - bends, restrictions, shut-off devices have a minimum distance of 10 x DN from pressure reducing valve type 582/pressure retaining valve type 586.
- ▶ Observe the flow direction, see arrow on body (Fig. 1)

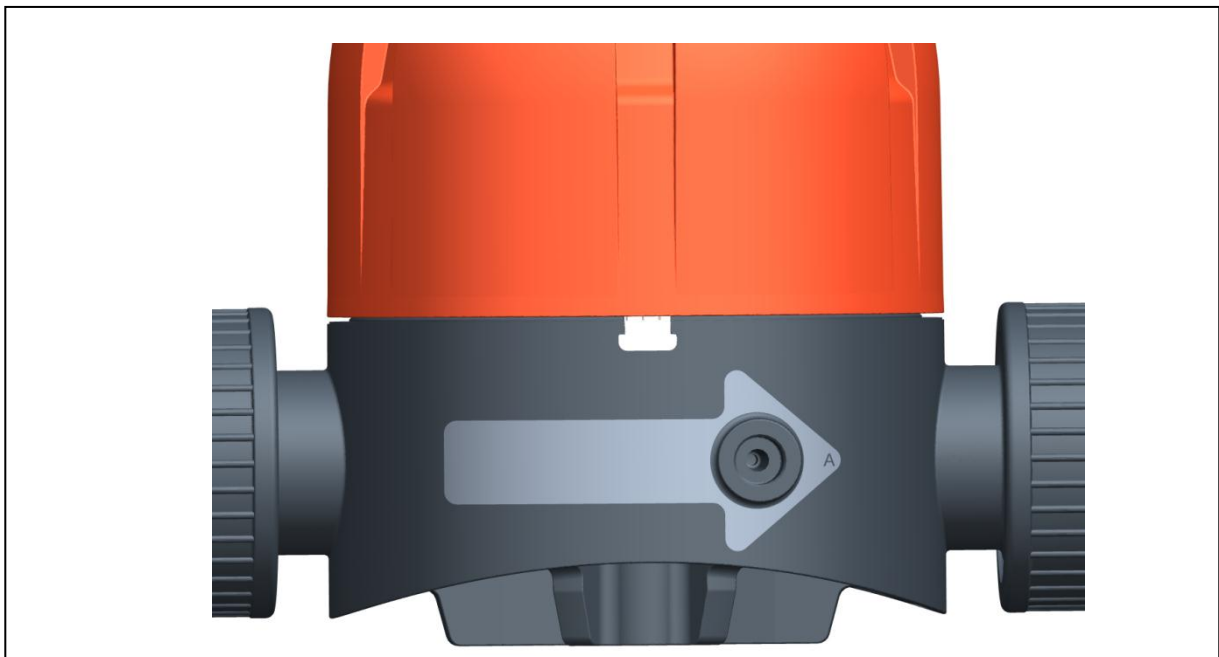


Fig. 1

- ▶ Observe connection types, see versions of „radial installation and removal“ and „spigot ends“.

Type „Radial installation and removal“:

- ▶ Loosen the coupling nut and slide it on the intended pipe end.
- ▶ Connect the connection parts with the pipe ends. For instructions concerning the different connection types, see planning fundamentals.
- ▶ Put pressure reducing valve type 582/pressure retaining valve type 586 between the connection parts.
- ▶ Tighten the coupling nuts by hand.

„Spigot ends“:

- ▶ If adapted to flange version, observe the tightening torques of the flanges, see „Georg Fischer planning fundamentals“.



In order to protect against soiling and premature wear and tear by erosion, we recommend installing a strainer on the inlet side of pressure reducing valve type 582/pressure retaining valve type 586.

Cemented connection

- ▶ Only join identical materials.
- ▶ After the curing time of the joint has elapsed, rinse the pipe section as quickly as possible with pressure-less water, see Chapter „Jointing techniques“ in the „Georg Fischer planning fundamentals“

Welded connection

- ▶ Only join identical materials, see Chapter „Jointing techniques“ in the „Georg Fischer planning fundamentals“.

10 Operation

10.1 Pressure test

- ▶ Ensure that the test pressure does not exceed 1.1 times the max. set back pressure.

10.2 Setting the working pressure

- ▶ Remove the cap from the bonnet assembly (top part), see Fig. 2. To do so, position the screw driver in the notch of the cap.



Fig. 2

- ▶ Loosen the locking nut, see Fig. 3

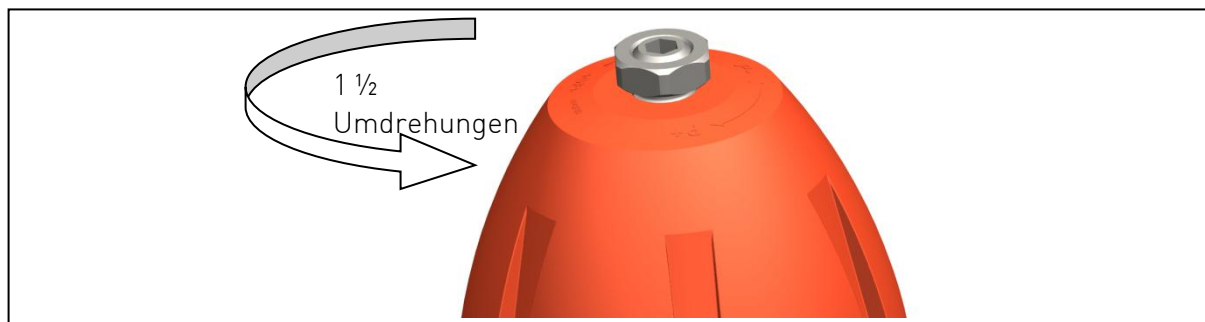


Fig. 3

- ▶ In order to increase the setpoint value: Tense the spring. To do so, turn the spindle clockwise, see Fig. 4

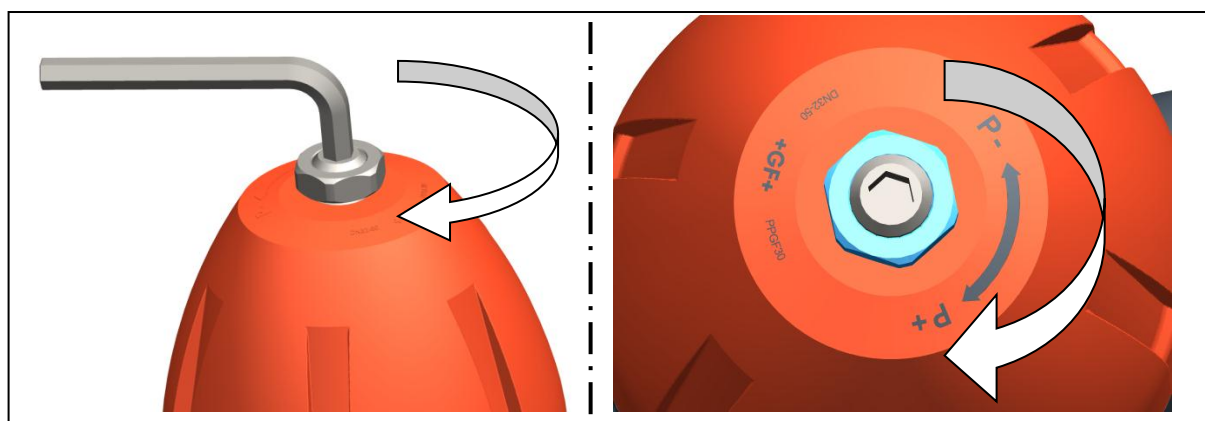


Fig. 4

- ▶ In order to decrease the setpoint value: Relax the spring. To do so, turn the spindle counterclockwise, see Fig. 5

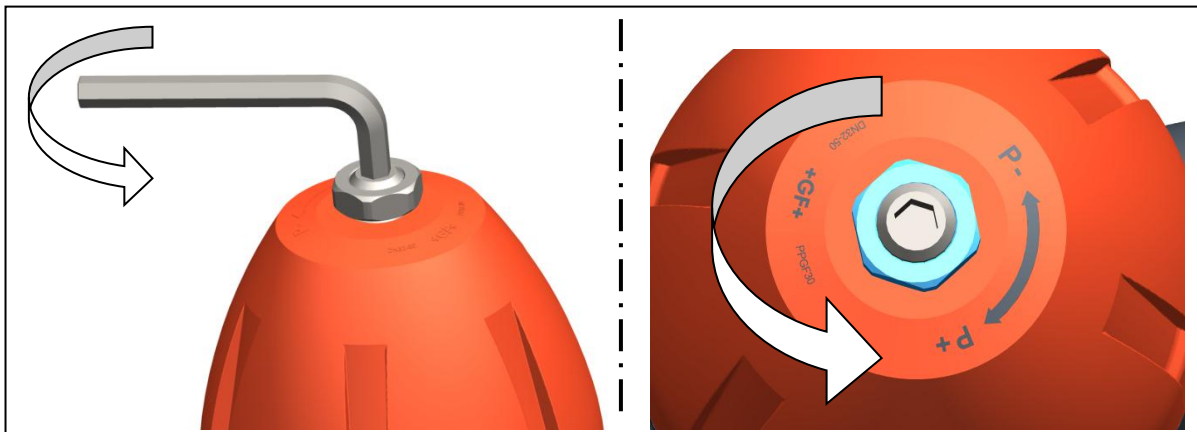


Fig. 5

- ▶ Ensure that the setpoint value is set. To do so, read the setpoint value at the manometer or the corresponding indicator.

**CAUTION**

**Displacement of the setpoint value of pressure reducing valve type 582/
pressure retaining valve type 586 due to wrong locking.**

- ▶ Fix the spindle with Allen wrench and simultaneously tighten the locking nut with a suited tool, see Fig 6

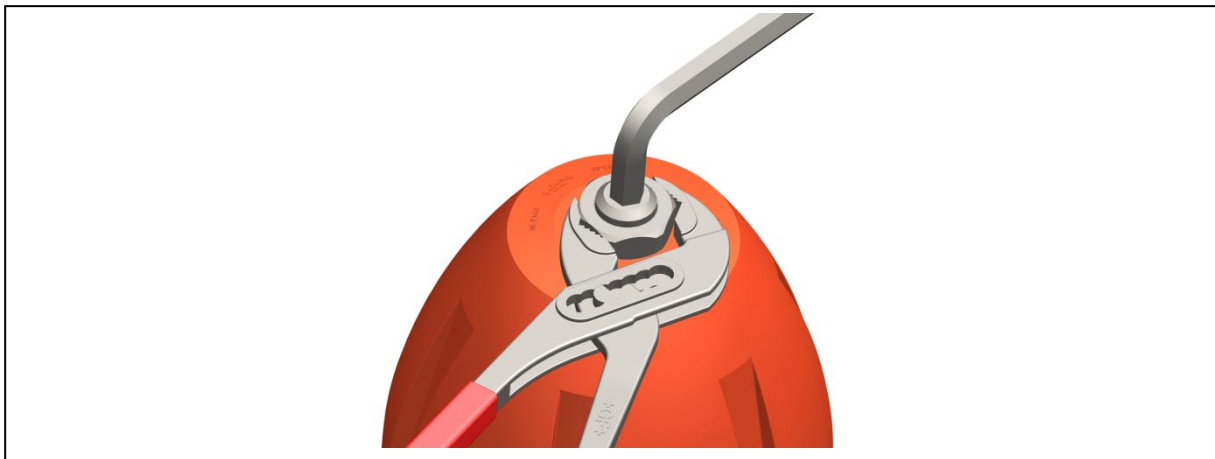


Fig. 6

- ▶ Put the cap onto the bonnet assembly (top part).

11 Maintenance



WARNING

Risk of injury due to uncontrolled evasion of the medium!

If the pressure was not relieved completely, the medium can evade uncontrolled.

- ▶ Completely relieve pressure in the pipes prior to dismantling/maintenance/dismantling.
- ▶ In case of harmful, flammable, or explosive media: Completely empty and rinse pipe prior to dismantling. Pay attention to potential residues.
- ▶ Make sure that the medium is caught safely with the appropriate measures.



Difficult opening, due to pretensioned spring. Make sure that the spring is completely relaxed before opening the bonnet assembly (top part). To do so, turn the spindle counterclockwise (P-), up to the end position.



CAUTION

Risk of injury and missing product quality through use of spare parts that have not been provided by GF Piping Systems!

- ▶ Only use the listed spare parts, see Chapter List of Spare Parts.

- ▶ Set maintenance intervals as per the conditions of use (e.g. actuating cycles, medium, ambient temperature).
- ▶ As part of the regular system inspection, carry out the following maintenance activities.

Maintenance interval	Maintenance activity
regular	▶ Check sealing element, piston, diaphragm on functionality and replace, if necessary
regular	▶ Check tightness of housing, pipe connection and control line.
regular	▶ Clean the inner body

11.1 Replacing diaphragm and O-ring

- ▶ Remove the valve from the pipeline and bring it into horizontal position.

11.1.1 Disassembly

- ▶ Prior to dismantling: Mark the position of bonnet assembly (top part) to body on the housing.
- ▶ Remove the cap from the bonnet assembly (top part), see Fig. 2. To do so, use a screw driver.
- ▶ Relax the spring. To do so, turn the spindle counterclockwise (P-), up to the end position.
- ▶ Fix the body with a suited tool and loosen the bonnet assembly (top part). To do so, turn the bonnet assembly (top part) counterclockwise, see Fig. 7. During this, the seal sticker will be broken.

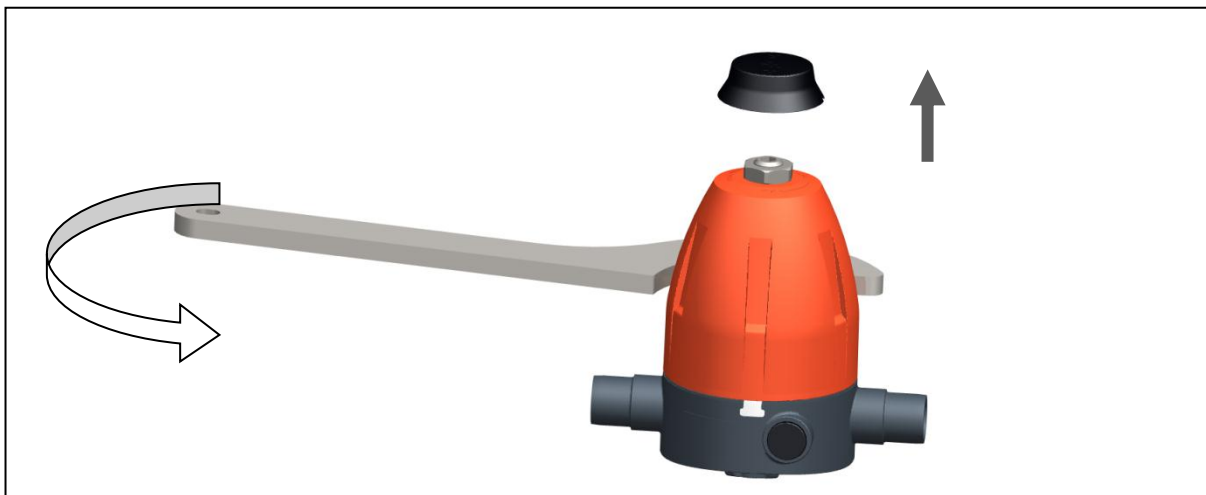


Fig. 7

- ▶ Remove Pressure piece, springs and retaining ring, see Fig. 8
- ▶ Optional version 0.3 - 3 bar (4 - 44 psi): one spring

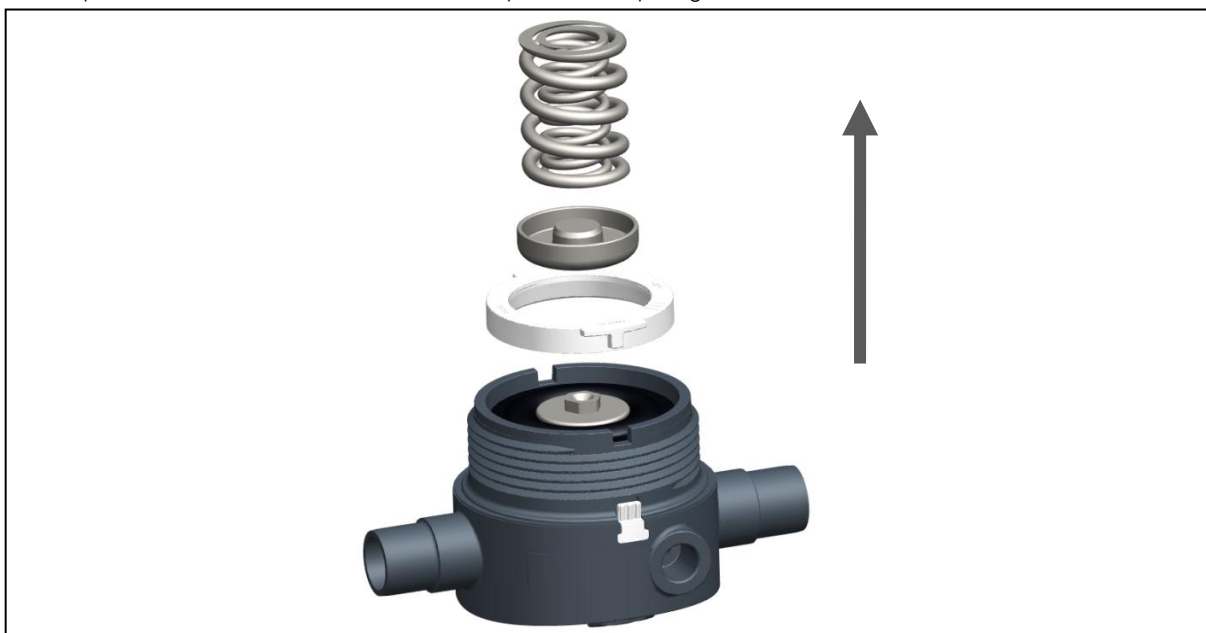


Fig. 8

- ▶ Remove cartridge from body with suited tool (e.g. pliers), see Fig. 9

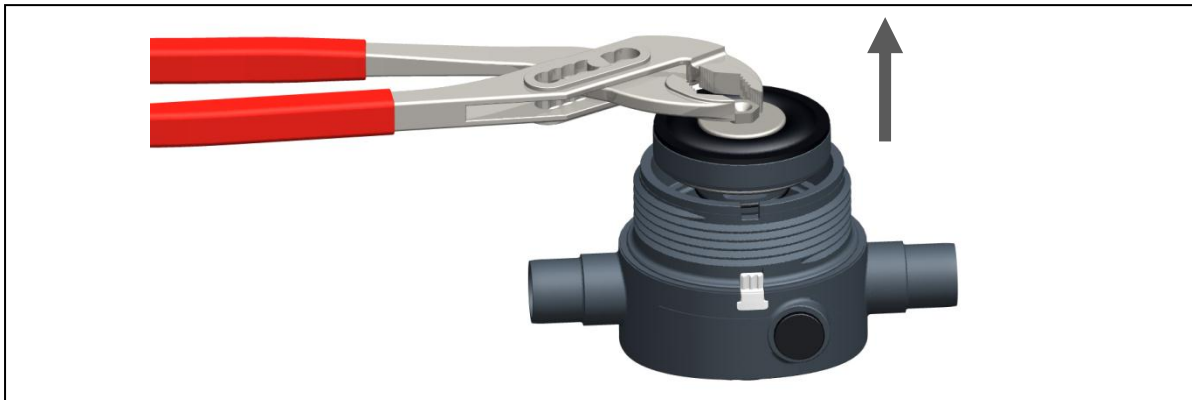


Fig. 9

- ▶ Remove 2 O-rings from body, see Fig. 10

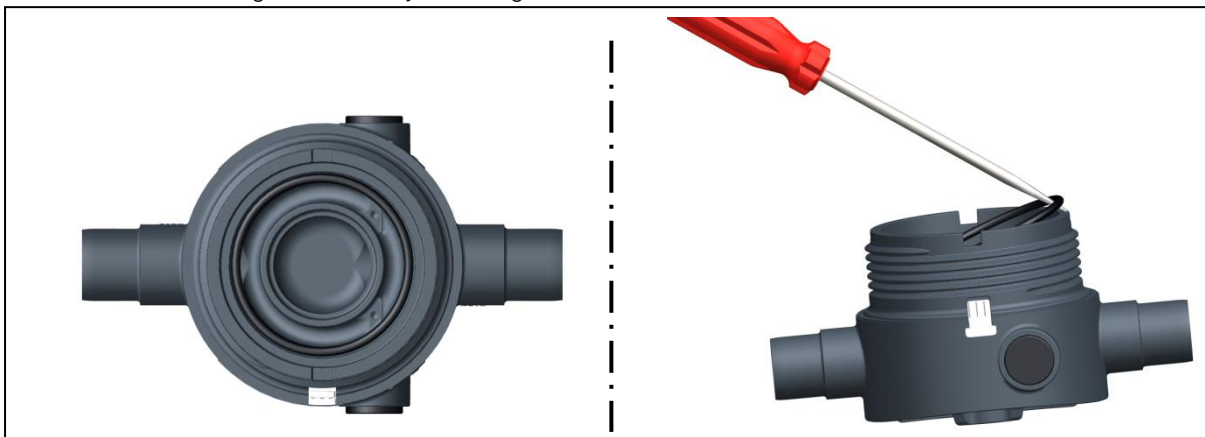


Fig. 10

- ▶ In order to replace diaphragm: Replace cartridge, see [Chapter "spare parts"](#)

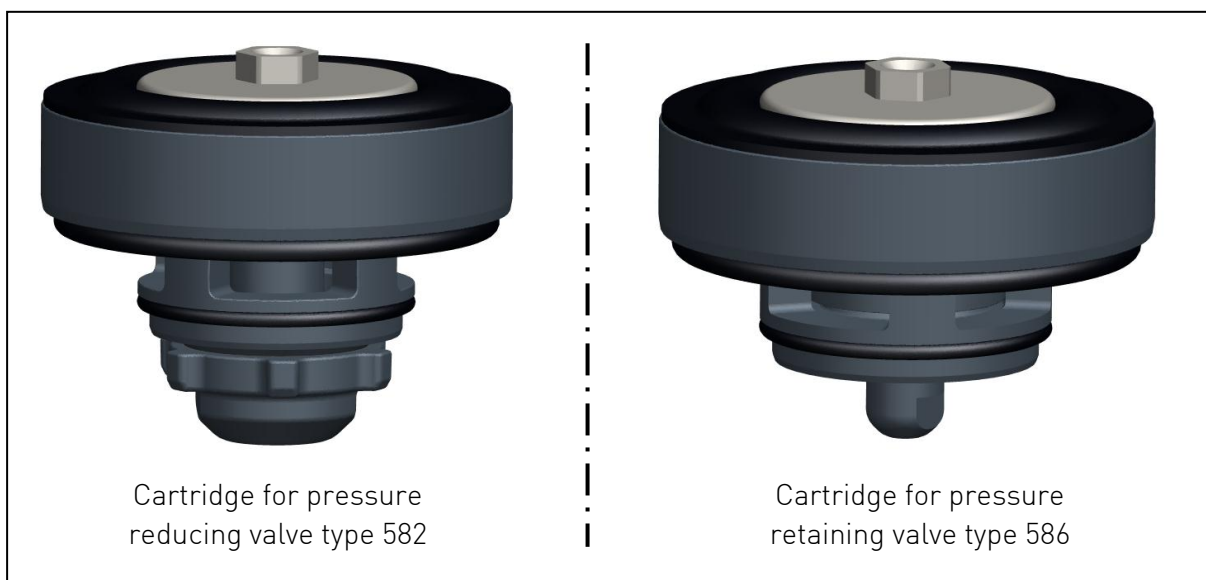


Fig. 11

11.1.2 Assembly

- ▶ Ensure that 2 O-rings sit correctly in the body.
- ▶ Position the cartridge in the body and push in, see Fig. 12
- ▶ Replace the index plate in case of valve type or elastomer change

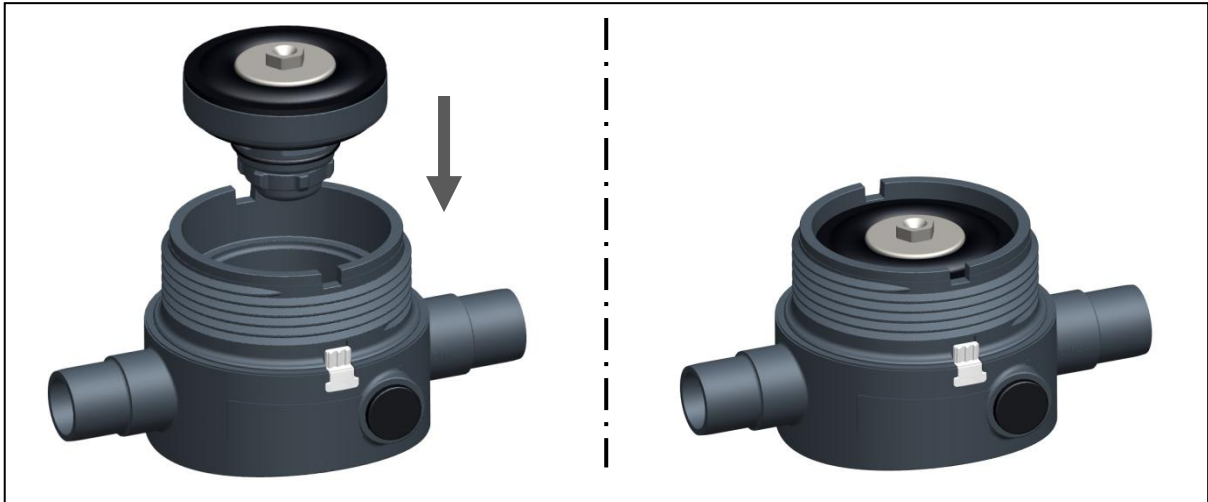


Fig. 12

- ▶ Place the retaining ring. During this, ensure that both projections of the retaining ring lie in the notches of the body, see Fig. 13

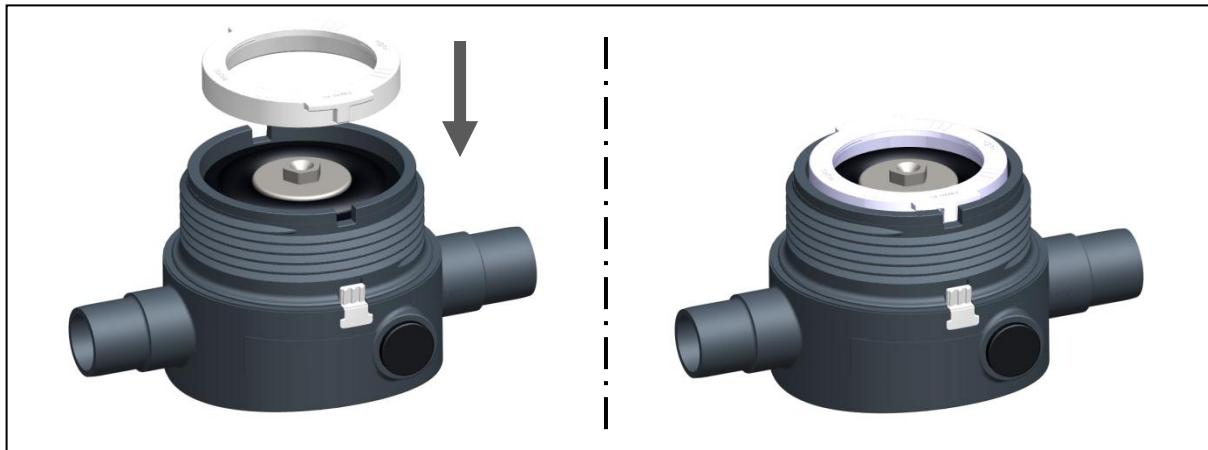


Fig. 13

- ▶ Put the Pressure piece on the cartridge, see Fig 14

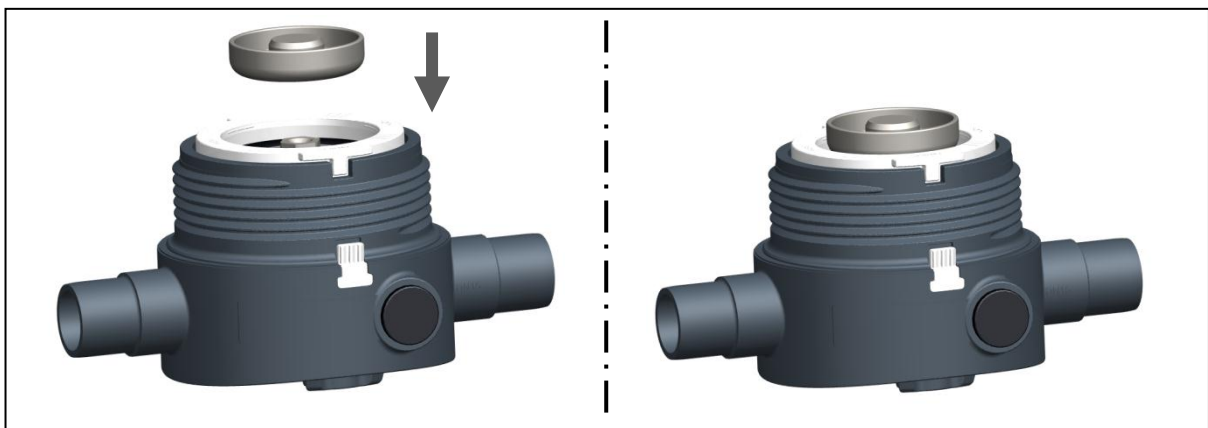


Fig. 14

- ▶ Put the springs on the Pressure piece, see Fig 15

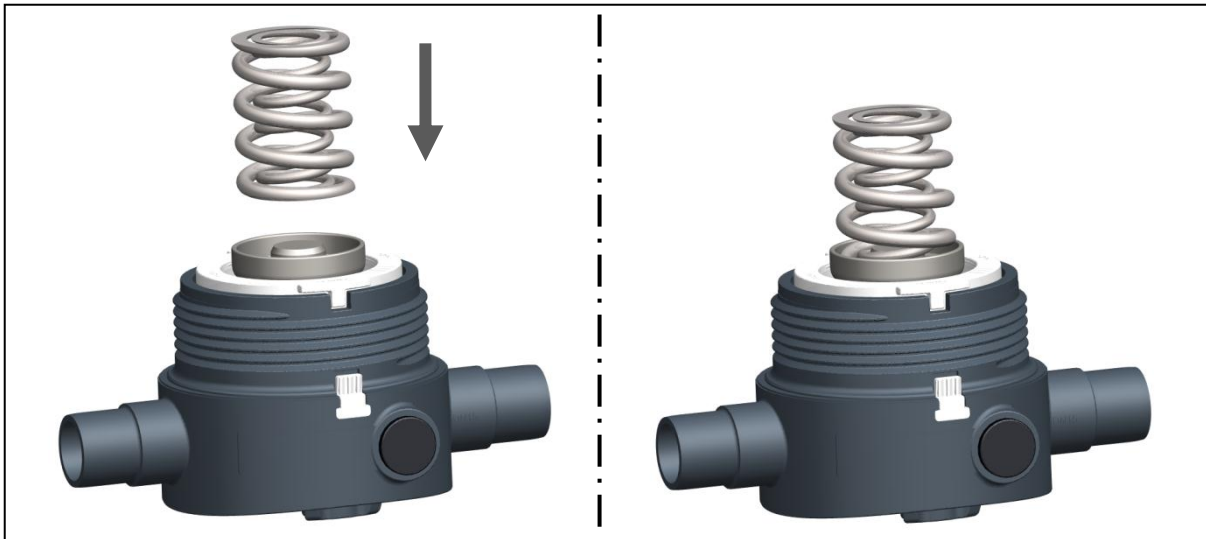


Fig. 15

- ▶ Put the bonnet assembly (top part) onto the body.
- ▶ Fix the body and tighten up to the marking/old seal sticker (see Chapter 11.1.1) +20°:

DN 10/15	DN 20/25	DN 32/40/50
50Nm	70Nm	120Nm

- ▶ Clearance check between top part and body

DN 10/15	DN 20/25	DN 32/40/50
0.5 mm	0.6 mm	0.9 mm

- ▶ Install the valve into the pipeline, see [Chapter 9 „Installation“](#)
- ▶ Fix the spindle with Allen wrench and simultaneously tighten the locking nut with a suited tool.
- ▶ Setting the working pressure, see [Chapter 10.2 "Setting the working pressure"](#)

11.2 Cleaning the inner body

- ▶ Dismantling, see [Chapter 11.1.1 "Disassembly"](#)
- ▶ Check and clean the area of the seat gasket, see Fig. 16

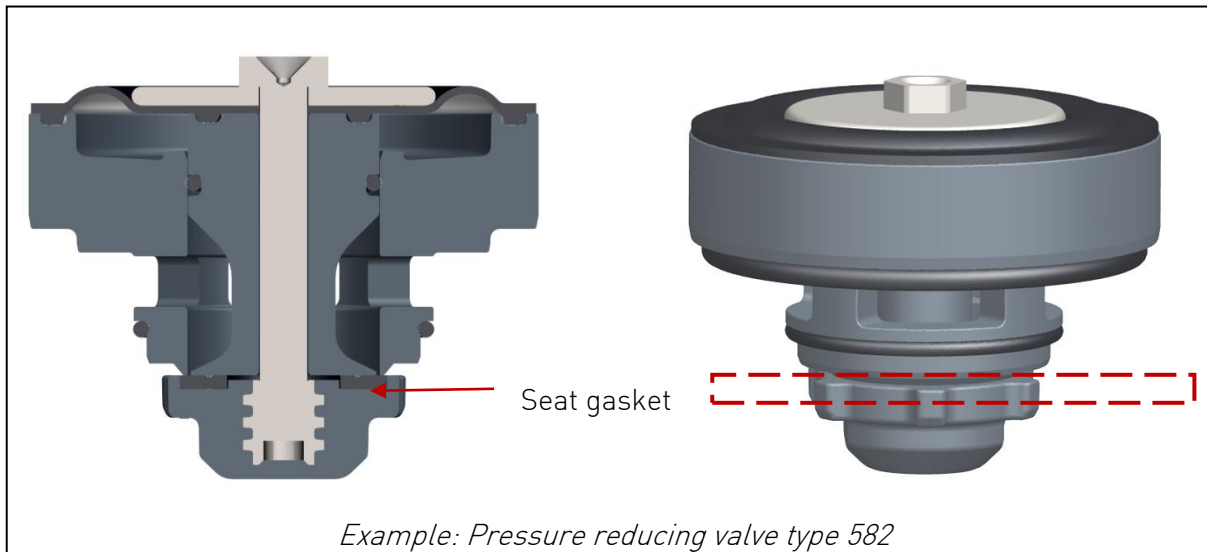


Fig. 16

- ▶ Clean the drill holes of the inner housing, see Fig. 17

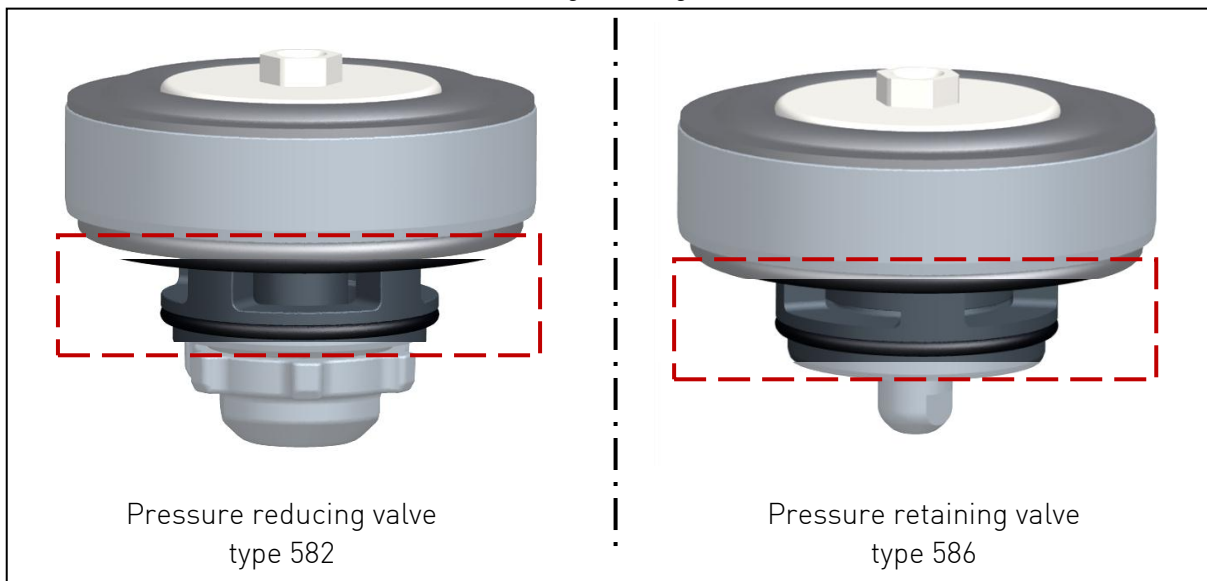




Fig. 17

12 Troubleshooting

Fault	Possible cause	Troubleshooting
Leak at pipe	Leaking connections	Check bonding or welding and repair, if necessary Check gaskets and replace, if necessary
Leak between top part and body	Retaining ring not correctly inserted	Position the retaining ring so both projections of the retaining ring lie in the notches of the body
	Bonnet assembly (top part) loose	Retighten bonnet assembly (top part)
Leak at bonnet assembly (top part)	Piston screw loose	Retighten piston screw
	Diaphragm damaged	Replace diaphragm, see Chapter 11
	Control element (diaphragm, piston, sealing element) defective	Replace cartridge.
Setpoint value not reached (only valid for pressure reducing valve type 582)	Foreign body jammed, preventing tight closing	Tense the spring, so the valve opens and the foreign body is flushed out (caution: pressure increase)
	Impure function parts	Clean pressure reducing valve type 582, see Chapter 11.2
Inertia too high, setpoint value not reached	Valve undersized	Check valve dimensioning (kvs value)
Valve does not react to compressed air	Valve is not dimensioned for compressed air, and therefore has no compressed air connection	Remove compressed air and select other valve (e.g. pneumatic diaphragm valve) for the application

Fault	Possible cause	Troubleshooting
Loud noise	Valve oversized. Thus, the valve only opens a minimum, leading to vibrations	Check valve dimensioning (kvs value)
	Valve undersized. This results in excessive flow velocities inside the valve	Check valve dimensioning (kvs value)
Excessive damage of pressure reducing valve type 582/pressure retaining valve type 586	Dirty medium, corrosion deposits or foreign matter.	Install strainer
Manometer does not indicate anything	Manometer defective	Replace manometer
	Buffer medium escaped from the manometer adaptor	Check manometer adaptor and replace, if necessary
Manometer stays on a constant value	Manometer defective	Replace manometer
	Drill holes in the cartridge clogged	Clean cartridge, see Chapter 11.2 „Cleaning the inner body“
Bonnet assembly (top part) cannot be screwed onto the body	<p>Spring not relieved Spring cap is not in the end stop, see Fig. 18</p> <div style="display: flex; justify-content: space-around; align-items: center;"> <div style="text-align: center;">  <p>Fig.18</p> </div> <div style="text-align: center;">  <p>Fig.19</p> </div> </div>	Screw spring cap into the end position, see Fig 19

13 Spare Parts

Order spare parts as follows:

- ▶ Identify valve type and sealing material by means of index plate, see Chapter 6.1. Sealing material.
- ▶ Read DN size at body.
- ▶ Read designation of spare part, see Chapter 4.1 or 4.2.
- ▶ Send the order with these details and the required quantity to the agency of GF Piping Systems.

14 Accessories

Designation	Article number		
	DN 10/15	DN 20/25	DN 32/40/50
Hook wrench	198 806 451	198 806 452	198 806 453
Manometer adaptor	198 806 650		
Manometer brass	198 806 651		
Manometer stainless steel	198 806 652		
Manometer sealing plug	198 806 653		

15 Disposal

- ▶ Before disposing of the different materials, separate them by recyclables, normal waste and special waste.
- ▶ Comply with local legal regulations and provisions when recycling or disposing of the product, the individual components and the packaging.
- ▶ Comply with national regulations, standards and directives.

**WARNING**

Parts of the product may be contaminated with media that are harmful for the health and the environment. Therefore, a simple cleaning is not sufficient!

Danger of personal injury and damage to the environment caused by those media.

Prior to disposing of the product:

- ▶ Collect leaking media and dispose of according to the local regulations.
Consult the safety data sheet.
- ▶ Neutralise possible media residues in the product.
- ▶ Separate materials (plastics, metals etc.) and dispose of according to the local regulations.

If you have questions regarding the disposal of your product, please contact your national GF Piping Systems representative.

16 EC Manufacturer's declaration

The manufacturer, Georg Fischer Rohrleitungssysteme AG, 8201 Schaffhausen (Switzerland), declares that, due to the exclusion of the use for flammable or gaseous media and because of their nominal diameter and pressure level, the pressure regulating valves are not subject to Pressure Equipment Directive 97/23/EC.

Changes to the pressure regulating valve that could affect the stated technical specifications and the intended use, void this manufacturer's declaration.

Name: Antonio De Agostini

Position: R&D Manager Georg Fischer Piping Systems

Date: 2014-02-20

Deutsch

Druckreduzierventil Typ 582

Druckhalteventil Typ 586 5

English

Pressure Reducing Valve Type 582

Pressure Retaining Valve Type 586 28

Français

Réducteur de pression type 582

Détendeur de pression type 586 51

Español

Válvula reductora de presión tipo 582

Válvula de retención de presión tipo 586 74

Originalbetriebsanleitung

Haftungsausschluss

Die technischen Daten sind unverbindlich. Sie gelten nicht als zugesicherte Eigenschaften oder als Beschaffenheits- oder Haltbarkeitsgarantien. Änderungen vorbehalten. Es gelten unsere Allgemeinen Verkaufsbedingungen.

Betriebsanleitung beachten

Die Betriebsanleitung ist Teil des Produkts und ein wichtiger Baustein im Sicherheitskonzept.

- ▶ Betriebsanleitung lesen und befolgen.
- ▶ Betriebsanleitung stets am Produkt verfügbar halten.
- ▶ Betriebsanleitung an alle nachfolgenden Verwender des Produkts weitergeben.




Inhaltsverzeichnis

Inhaltsverzeichnis.....	5
1 Zu diesem Dokument	6
1.1 Warnhinweise	6
1.2 Weitere Symbole und Auszeichnungen	6
1.3 Mitgeltende Dokumente	6
2 Sicherheit und Verantwortung	7
2.1 Bestimmungsgemäße Verwendung	7
2.2 Sicherheitshinweise	7
3 Transport und Lagerung	7
4 Aufbau.....	8
4.1 Druckreduzierventil	8
4.2 Druckhalteventil	9
4.3 Manometer	10
5 Funktion.....	10
5.1 Druckreduzierventil	10
5.2 Druckhalteventil	10
6 Identifikation	11
6.1 Ventiltyp/ Dichtungswerkstoff (O-Ringe)	11
7 Technische Daten	11
8 Erforderliche Werkzeuge	12
9 Installation	12
10 Inbetriebnahme.....	15
10.1 Druckprüfung	15
10.2 Arbeitsdruck einstellen.....	15
11 Wartung	17
11.1 Membrane und O-Ring wechseln.....	18
11.1.1 Demontage.....	18
11.1.2 Montage	20
11.2 Innengehäuse reinigen	22
12 Störungsbehebung.....	23
13 Ersatzteile.....	25
14 Zubehör	25
15 Entsorgung.....	25
16 EG Herstellererklärung	26



1 Zu diesem Dokument

1.1 Warnhinweise

In dieser Anleitung werden Warnhinweise verwendet, um Sie vor Tod, Verletzungen oder vor Sachschäden zu warnen. Lesen und beachten Sie diese Warnhinweise immer!

Warnsymbol	Bedeutung
 GEFAHR	Unmittelbar drohende Gefahr! Bei Nichtbeachtung drohen Ihnen Tod oder schwerste Verletzungen. ► Massnahmen, um die Gefahr zu vermeiden.
 WARNUNG	Möglicherweise drohende Gefahr! Bei Nichtbeachtung drohen Ihnen schwere Verletzungen. ► Massnahmen, um die Gefahr zu vermeiden.
 VORSICHT	Gefährliche Situation! Bei Nichtbeachtung drohen leichte Verletzungen. ► Massnahmen, um die Gefahr zu vermeiden.
ACHTUNG	Gefährliche Situation! Bei Nichtbeachtung drohen Sachschäden. ► Massnahmen, um die Gefahr zu vermeiden.

1.2 Weitere Symbole und Auszeichnungen

Symbol	Bedeutung
	Hinweise: Enthalten besonders wichtige Informationen zum Verständnis.
	Handlungsaufforderung: Hier müssen Sie etwas tun.
1.	Handlungsaufforderung in einer Handlungsabfolge: Hier müssen Sie etwas tun.

1.3 Mitgeltende Dokumente

- Georg Fischer Planungsgrundlagen Industrie

Diese Unterlagen sind über die Vertretung von GF Piping Systems oder unter www.gfps.com erhältlich.

2 Sicherheit und Verantwortung

2.1 Bestimmungsgemäße Verwendung

Die Druckreduzierventile Typ 582 und Druckhalteventile Typ 586 sind dazu bestimmt mit reinen, nicht abrasiven, flüssigen Medien betrieben zu werden. Das Produkt und all seine Komponenten sind dazu bestimmt, innerhalb der zugelassenen Druck- und Temperaturgrenzen und ihrer chemischen Beständigkeit eingesetzt zu werden.

Druckreduzierventil Typ 582

Die Druckreduzierventile Typ 582 sind dazu bestimmt, nach Einbau in ein Rohrleitungssystem den Systemdruck zu reduzieren und diesen auf einem vorgegebenen Wert weitestgehend konstant zu halten.

Druckhalteventil Typ 586

Die Druckhalteventile Typ 586 sind dazu bestimmt, nach Einbau in ein Rohrleitungssystem den Systemdruck zu halten und diesen auf einem vorgegebenen Wert weitestgehend konstant zu halten.

Vorhersehbare Fehlanwendung

Die Druckreduzierventile Typ 582 und Druckhalteventile Typ 586 sind **nicht** dazu bestimmt, als Absperrorgane verwendet zu werden.

Die Druckreduzierventile Typ 582 und Druckhalteventile Typ 586 sind **nicht** dazu bestimmt mit Gasen oder anderen kompressiblen Medien betrieben zu werden.

2.2 Sicherheitshinweise

Um die Sicherheit im Betrieb zu gewährleisten, ist der Betreiber für folgende Maßnahmen verantwortlich:

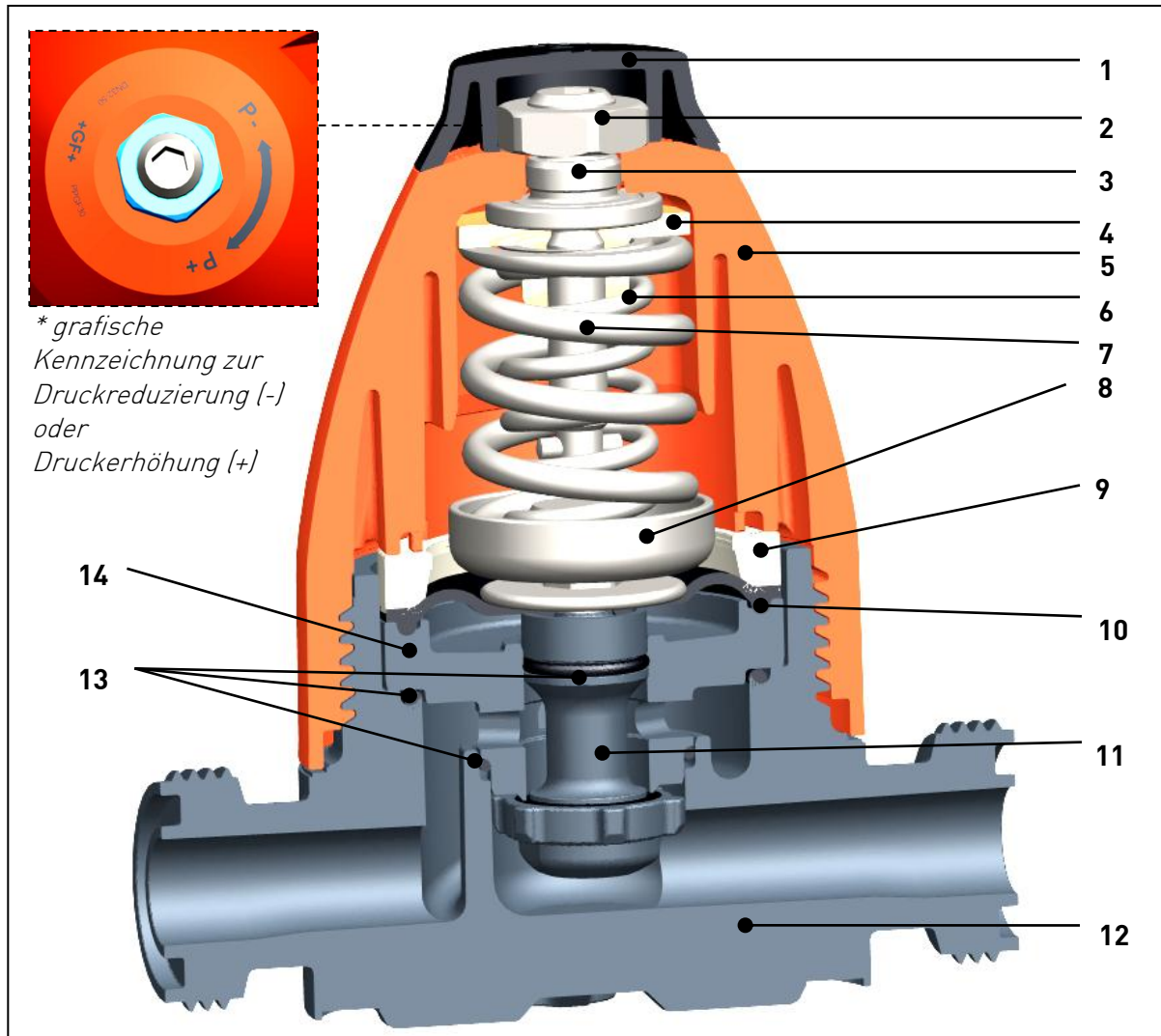
- ▶ Produkt nur bestimmungsgemäss verwenden, siehe bestimmungsgemäße Verwendung.
- ▶ Kein beschädigtes oder defektes Produkt verwenden. Beschädigtes Produkt sofort aussortieren.
- ▶ Sicherstellen, dass Rohrleitungssystem fachgerecht verlegt ist und regelmässig überprüft wird.
- ▶ Produkt und Zubehör nur von Personen montieren lassen, die die erforderliche Ausbildung, Kenntnis oder Erfahrung haben.
- ▶ Personal regelmässig in allen zutreffenden Fragen der örtlich geltenden Vorschriften für Arbeitssicherheit, Umweltschutz vor allem für druckführende Rohrleitungen unterweisen.

3 Transport und Lagerung

- ▶ Produkt beim Transport gegen äussere Gewalt (Stoss, Schlag, Vibrationen etc.) schützen.
- ▶ Produkt in ungeöffneter Originalverpackung transportieren und/oder lagern.
- ▶ Produkt vor Staub, Schmutz, Feuchtigkeit sowie Wärme- und UV-Strahlung schützen.
- ▶ Sicherstellen, dass Produkt weder durch mechanische noch durch thermische Einflüsse beschädigt ist.
- ▶ Produkt vor Montage auf Transportschäden untersuchen.

4 Aufbau

4.1 Druckreduzierventil

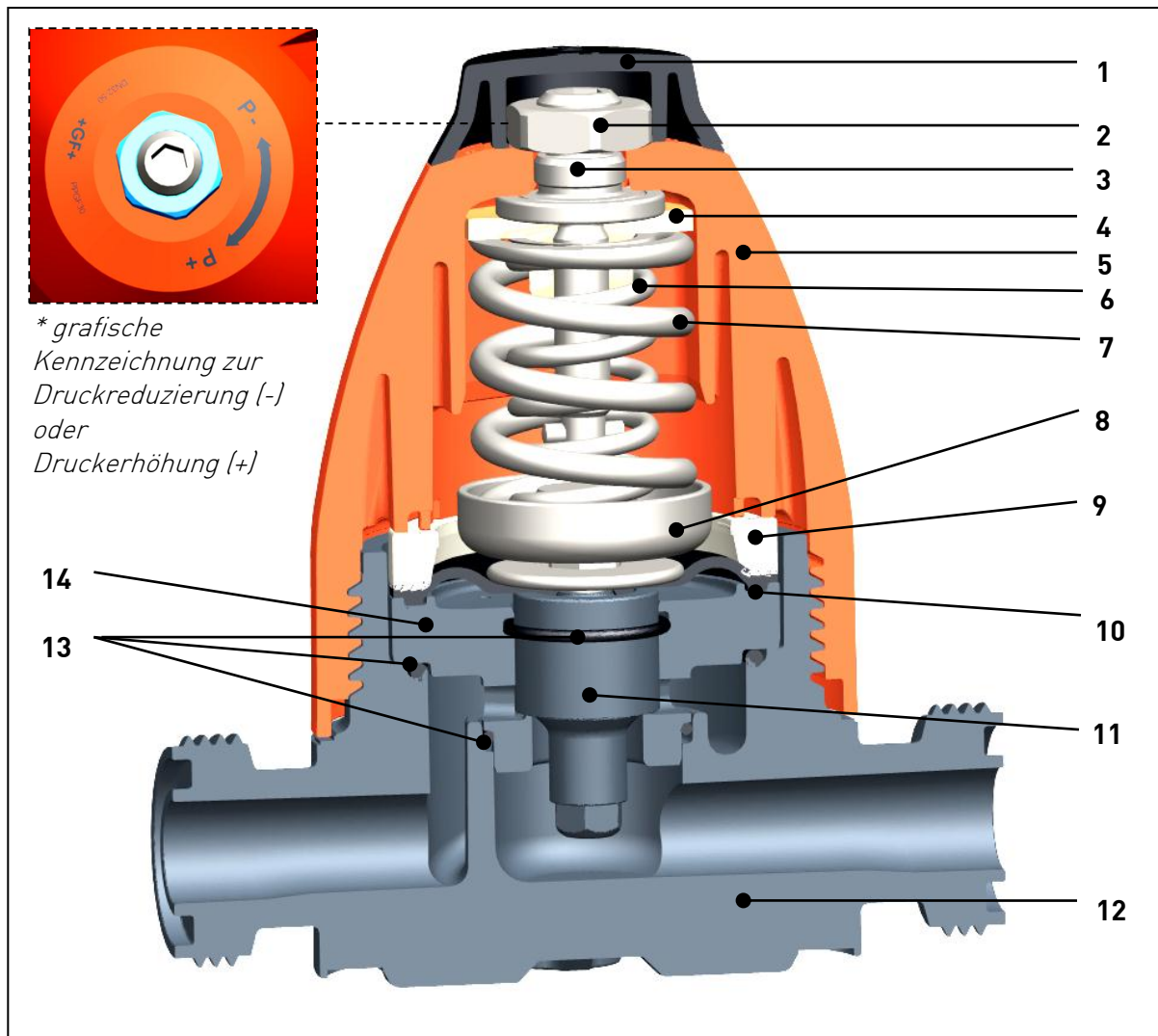


1	Abdeckkappe	8	Druckstück
2	Kontermutter	9	Haltering
3	Spindel/ Stellschraube	10	Membrane
4	Federhalter	11	Kolben
5	Oberteil *	12	Unterteil
6	Feder innen	13	O-Ringe
7	Feder aussen	14	Innengehäuse



Membrane, O-Ringe, Membranscheibe, Innengehäuse und Kolben bilden die Kartusche.

4.2 Druckhalteventil

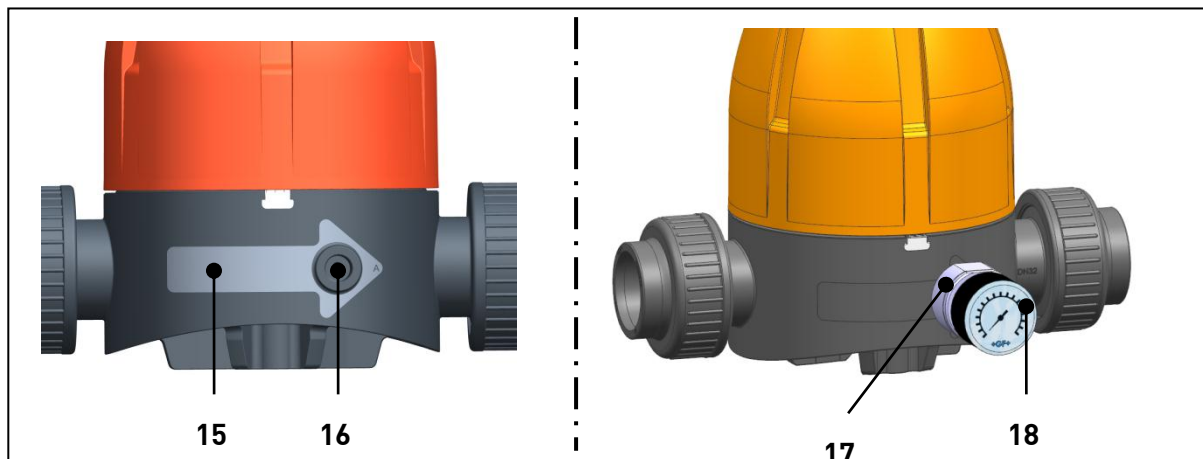


1	Abdeckkappe	8	Druckstück
2	Kontermutter	9	Haltering
3	Spindel/ Stellschraube	10	Membrane
4	Federhalter	11	Kolben
5	Oberteil*	12	Unterteil
6	Feder innen	13	O-Ringe
7	Feder aussen	14	Innengehäuse



Membrane, O-Ringe, Membranscheibe, Innengehäuse und Kolben bilden die Kartusche.

4.3 Manometer



15	Durchflussrichtungsmarkierung	17	Manometeradapter (optional)
16	Manometeranschluss	18	Manometer



Wenn Druckreduzierventil Typ 582/ Druckhalteventil Typ 586 eine Manometerausführung ist, dann ist Manometer ab Werk bereits montiert.

5 Funktion

5.1 Druckreduzierventil

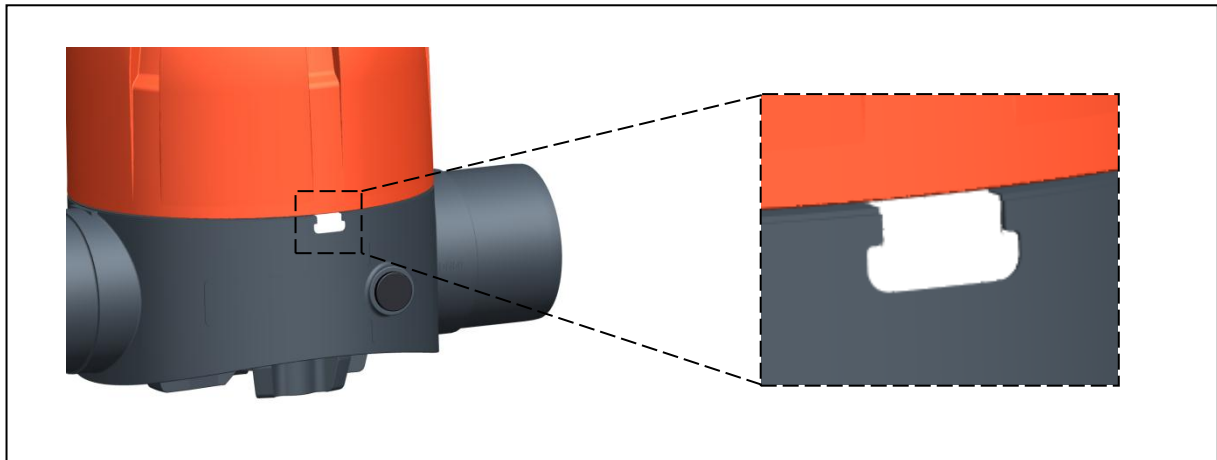
Der Druck auf der Ventilabgangsseite wirkt über die Membrane auf die Einstellfeder. Über die Federvorspannung, welche mittels Stellschraube am Ventil eingestellt wird, bildet sich ein Kräftegleichgewicht. Steigt der Abgangsdruck über den vorgegebenen Wert, wird der Kolben gegen die Federkraft angehoben. Das Ventil schliesst, der Abgangsdruck reduziert sich. Sinkt der Abgangsdruck unter den Wert, wird der Kolben von der Federkraft heruntergedrückt, Das Ventil beginnt sich zu öffnen bis der Gleichgewichtszustand wieder erreicht ist. Unabhängig von einem steigenden oder fallenden Eingangsdruck bleibt der Abgangsdruck weitestgehend konstant, da dieser nicht im direkten Verhältnis zum Eingangsdruck steht.

5.2 Druckhalteventil

Mittels verstellbarer Federkraft wird der gewünschte Druck in der Ventileitung eingestellt. Steigt der Eintrittsdruck z. B. aufgrund zu hoher Förderleistung der Pumpe, über den eingestellten Wert, wird der Ventilkolben gegen die Federkraft angehoben. In der Folge öffnet das Ventil und es findet ein Druckabbau in die Abgangsleitung statt. Sinkt der Druck in der Ventileitung, drückt die Federkraft den Kolben in Richtung des Ventilsitzes nach unten und schliesst, sobald der Eingangsdruck kleiner wird als die eingestellte Federvorspannung. So wird ein gleichbleibender Druck in der Zuleitung gewährleistet.

6 Identifikation

6.1 Ventiltyp/ Dichtungswerkstoff (O-Ringe)



Ventiltyp	Dichtungswerkstoff	Farbe Rasterelement
Druckreduzierventil Typ 582	EPDM	weiss
Druckreduzierventil Typ 582	FPM	grün
Druckhalteventil Typ 586	EPDM	schwarz
Druckhalteventil Typ 586	FPM	rot

7 Technische Daten

Dimensionen	DN 10-50 (3/8" – 2")
Materialien	PVC-U, PVC-C, PP-H, PVDF
Membrane	EPDM/PTFE
Dichtungen	EPDM, FPM
Anschlüsse	Verschraubungen, Stutzen
Druckstufe (Nenndruck)	PN 10
Einstelldruckbereiche	0.5 – 9 bar / optional 0.3 – 3 bar (7 – 130 psi/ optional 4 – 44 psi)
Hysterese	Max. 0.5 bar (max. 6 psi)
Druckdifferenz	Druckdifferenz zwischen Ein- und Ausgangsdruck: min. 1 bar

8 Erforderliche Werkzeuge

Werkzeug	DN 10/15	DN 20/25	DN 32/40/50
Innensechskantschlüssel	SW 6	SW 8	SW 10
Gabelschlüssel	SW 19	SW 24	SW 30
Hakenschlüssel bzw. Bandschlüssel	80-90mm	95-100mm	135-145mm
Schraubendreher	Grösse 1		
Fixiereinrichtung, z. B. Schraubstock	kein Unterschied		

9 Installation

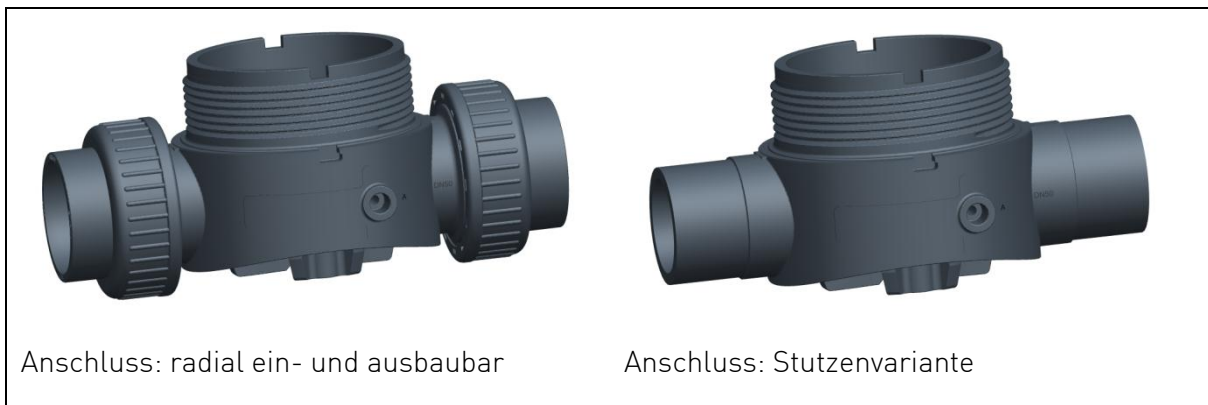


WARNUNG – NUR FÜR MANOMETERAUSFÜHRUNG

**Sachschaden und/ oder Verletzungsgefahr durch Veränderung Manometer!
Gültig für Ausführungen mit und ohne Adapter.**

- ▶ Manometer ist ab Werk installiert, voreingestellt und geprüft. Daher sicherstellen, dass keine Veränderungen am Manometer vorgenommen werden.

Die Ventilkörper sind für unterschiedliche Anschlussvarianten geeignet:



Anschluss: radial ein- und ausbaubar

Anschluss: Stutzenvariante



Druckreduzierventile Typ 582/ Druckhalteventile Typ 586 werden mit entspannter Feder geliefert.

- ▶ Sicherstellen, dass Druckreduzierventil Typ 582/ Druckhalteventil Typ 586 für Betriebsbedingungen geeignet ist, siehe Typenschild.
- ▶ Druckreduzierventil Typ 582/ Druckhalteventil Typ 586 vor Installation auf Beschädigung prüfen. Kein beschädigtes oder defektes Produkt verwenden.
- ▶ Sicherstellen, dass Einbau des Druckreduzierventils Typ 582/ Druckhalteventils Typ 586 spannungsfrei erfolgt.
- ▶ Um einen optimalen Durchfluss zu gewährleisten, sicherstellen dass
 - das Druckreduzierventil Typ 582/ Druckhalteventil Typ 586 in einem strömungstechnisch ungestörten Rohrabschnitt installiert wird und
 - Krümmer, Drosselstellen, Absperrorgane einen Mindestabstand von 10 x DN zum Druckreduzierventil Typ 582/ Druckhalteventil Typ 586 aufweisen.
- ▶ Durchflussrichtung beachten, siehe Richtungspfeil auf Unterteil (Abb. 1)

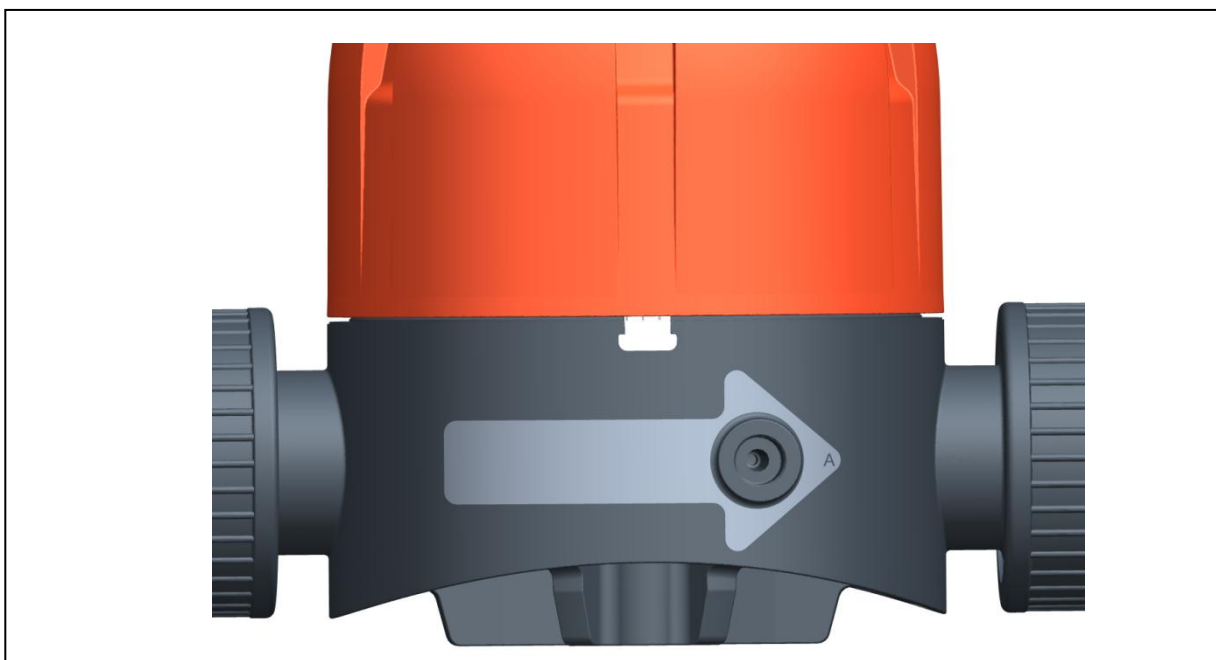


Abb. 1

- ▶ Anschlussvarianten beachten, siehe Varianten „Radial ein- und ausbaubar“ und „Stutzenvariante“.

Variante „Radial ein- und ausbaubar“:

- ▶ Überwurfmutter lösen und auf vorgesehene Rohrenden schieben.
- ▶ Anschlussteile mit den Rohrenden verbinden. Anleitungen zu den verschiedenen Verbindungsarten, siehe Planungsgrundlagen.
- ▶ Druckreduzierventil Typ 582/ Druckhalteventil Typ 586 zwischen Anschlussteile setzen.
- ▶ Überwurfmuttern von Hand anziehen.

„Stutzenvariante“:

- ▶ Falls auf Flanschvariante adaptiert, Anzugsdrehmomente der Flansche beachten, siehe „Georg Fischer Planungsgrundlagen“.



Zum Schutz vor Verschmutzung und vorzeitigem Verschleiss durch Erosion wird empfohlen, einen Schmutzfänger auf Eintrittsseite des Druckreduzierventils Typ 582/ Druckhalteventils Typ 586 einzubauen.

Klebeverbindung

- ▶ Nur identische Werkstoffe miteinander verbinden.
- ▶ Nach Aushärtungszeit der Verbindung, Rohrleitungsabschnitt so schnell wie möglich drucklos mit Wasser spülen, siehe Kapitel „Verbindungstechniken“ in den „Georg Fischer Planungsgrundlagen“

Schweissverbindung

- ▶ Nur identische Werkstoffe miteinander verbinden, siehe Kapitel „Verbindungstechniken“ in den „Georg Fischer Planungsgrundlagen“.

10 Inbetriebnahme

10.1 Druckprüfung

- ▶ Sicherstellen, dass Prüfdruck das 1,1-fache des max. eingestellten Hinterdruckes nicht überschreitet.

10.2 Arbeitsdruck einstellen

- ▶ Abdeckkappe vom Oberteil entfernen, siehe Abb. 2. Dazu Schraubenzieher in der Aussparung an Abdeckkappe ansetzen.



Abb. 2

- ▶ Kontermutter lösen, siehe Abb. 3

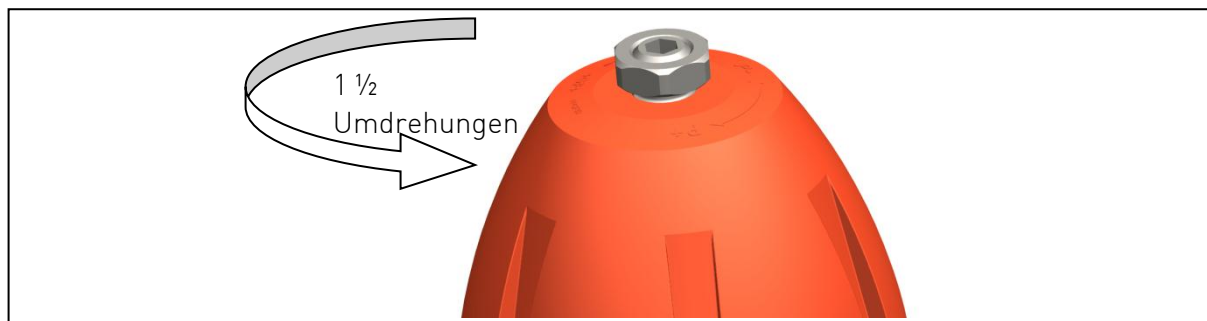


Abb. 3

- ▶ Um Sollwert zu erhöhen: Feder spannen. Dazu Spindel im Uhrzeigersinn drehen, siehe Abb. 4

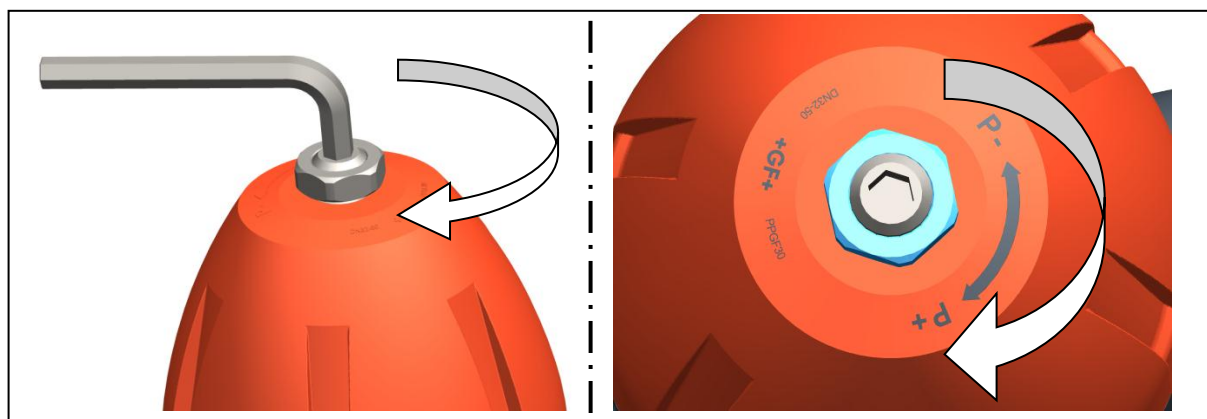


Abb. 4

- ▶ Um Sollwert zu senken: Feder entspannen. Dazu Spindel gegen den Uhrzeigersinn drehen, siehe Abb. 5

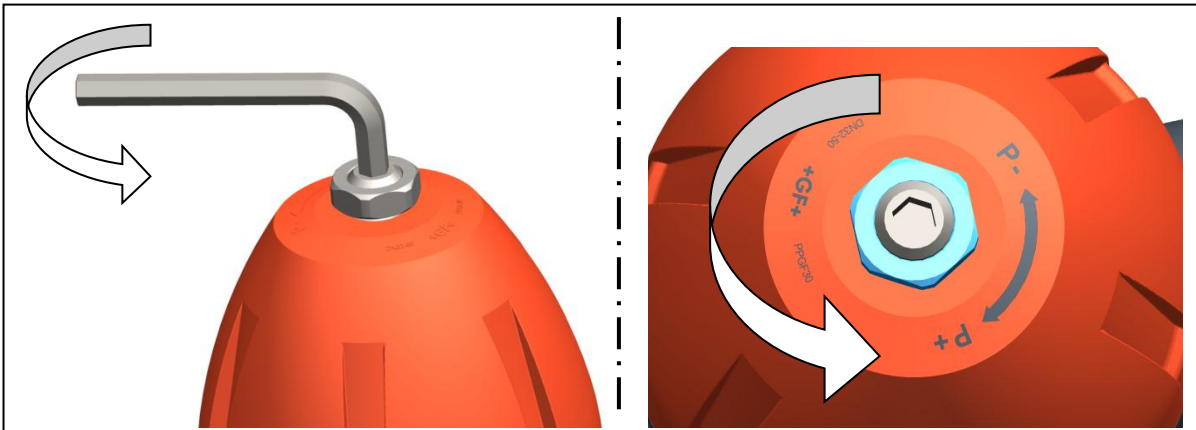


Abb. 5

- ▶ Sicherstellen, dass Sollwert eingestellt ist. Dazu Sollwert am Manometer oder entsprechender Anzeige ablesen.

**VORSICHT****Verstellung Sollwert des Druckreduzierventils Typ 582/ Druckhalteventils Typ 586 durch falsches Kontern.**

- ▶ Spindel mit Innensechskant fixieren und gleichzeitig die Kontermutter mit entsprechendem Werkzeug anziehen, siehe Abb. 6

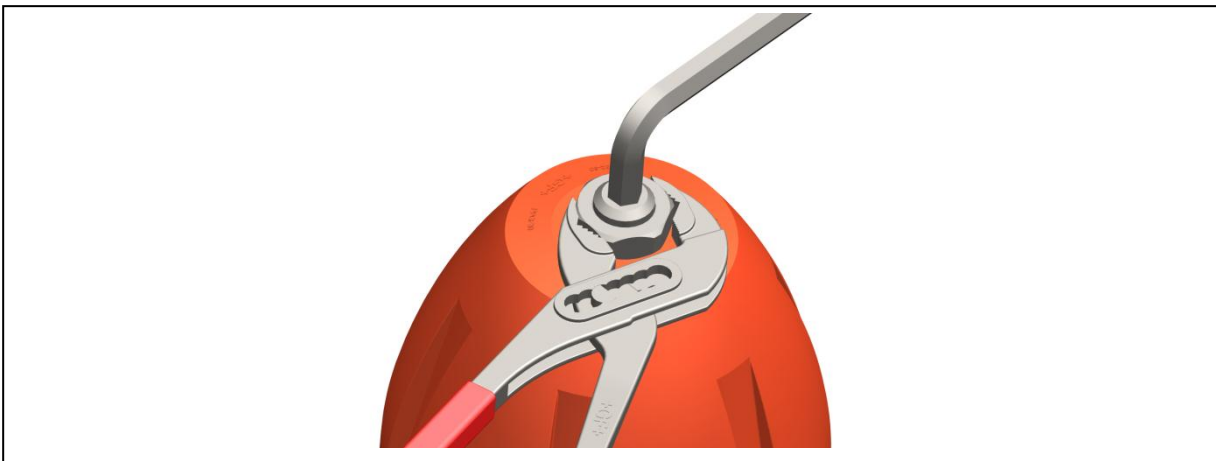


Abb. 6

- ▶ Abdeckkappe auf Oberteil setzen.

11 Wartung



WARNUNG

Verletzungsgefahr durch unkontrolliertes Ausweichen des Mediums!

Wurde der Druck nicht vollständig abgebaut, kann das Medium unkontrolliert entweichen.

- ▶ Vor Ausbau/Wartung/Demontage: Druck in Rohrleitung vollständig abbauen.
- ▶ Bei gesundheitsschädlichen, brennbaren oder explosiven Medien: Rohrleitung vor dem Ausbau vollständig entleeren und spülen. Dabei mögliche Rückstände beachten.
- ▶ Ein sichereres Auffangen des Mediums durch entsprechende Massnahmen gewährleisten.



Erschwertes Öffnen durch vorgespannte Feder. Sicherstellen, dass Feder vor dem Öffnen des Oberteils vollständig entspannt ist. Dazu Spindel gegen den Uhrzeigersinn (P-) bis in die Endlage drehen.



VORSICHT

Verletzungsgefahr und fehlende Produktqualität durch Verwendung von Ersatzteilen, die nicht von GF Piping Systems zur Verfügung gestellt wurden!

- ▶ Ausschliesslich die aufgeführten Ersatzteile verwenden, siehe Kapitel Ersatzteilliste.

- ▶ Wartungsintervalle entsprechend der Einsatzbedingungen festlegen (z. B. Stellzyklen, Medium, Umgebungstemperatur).
- ▶ Im Rahmen der regelmässigen Anlageninspektion folgende Wartungstätigkeiten durchführen.

Wartungsintervall	Wartungstätigkeit
regelmässig	▶ Dichtungselement, Kolben, Membrane auf Funktionsfähigkeit prüfen und ggf. auswechseln
regelmässig	▶ Dichtheit von Gehäuse, Rohranschluss und Steuerleitung prüfen
regelmässig	▶ Innengehäuse reinigen

11.1 Membrane und O-Ring wechseln

- ▶ Ventil aus Rohrleitung ausbauen und in waagerechter Position bringen.

11.1.1 Demontage

- ▶ Vor Demontage: Position von Oberteil zu Unterteil auf dem Gehäuse markieren.
- ▶ Abdeckkappe vom Oberteil entfernen, siehe Abb. 2
Dazu Schraubenzieher verwenden.
- ▶ Feder entspannen. Dazu Spindel gegen den Uhrzeigersinn (P-) bis in die Endlage drehen.
- ▶ Unterteil mit geeignetem Werkzeug fixieren und Oberteil lösen. Dazu Oberteil im Gegenuhrzeigersinn drehen, siehe Abb. 7. Siegeletikette wird hierbei gebrochen.



Abb. 7

- ▶ Druckstück, Federn und Haltering entnehmen, siehe Abb. 8
Optional Variante 0.3 – 3 bar (4-44 psi): eine Feder

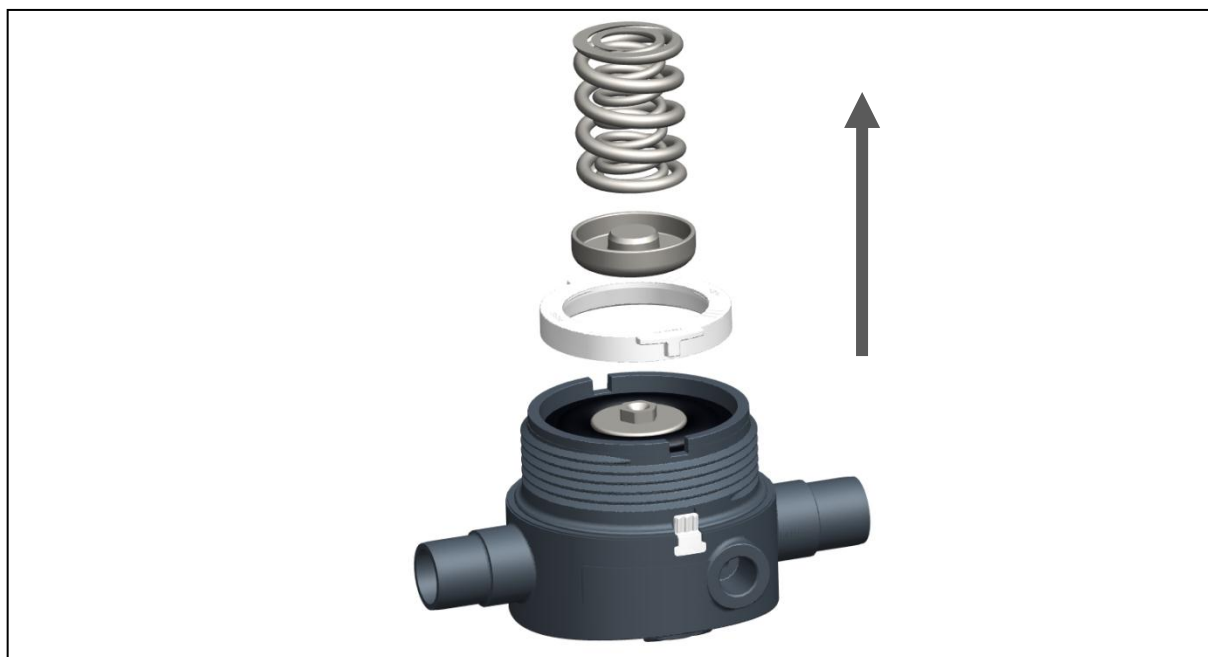


Abb. 8

- ▶ Kartusche aus Unterteil mit geeignetem Werkzeug (z. B. Zange) entnehmen, siehe Abb. 9

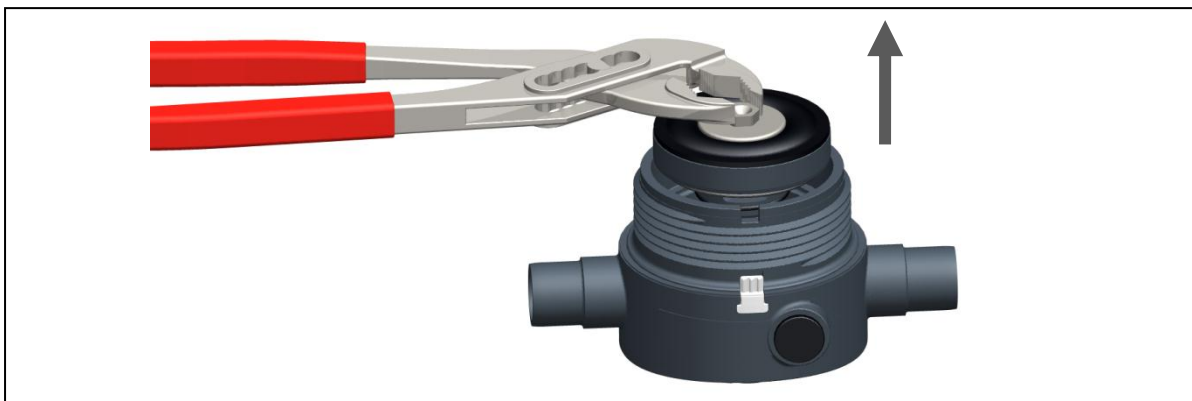


Abb. 9

- ▶ 2 O-Ringe aus Unterteil entnehmen, siehe Abb. 10

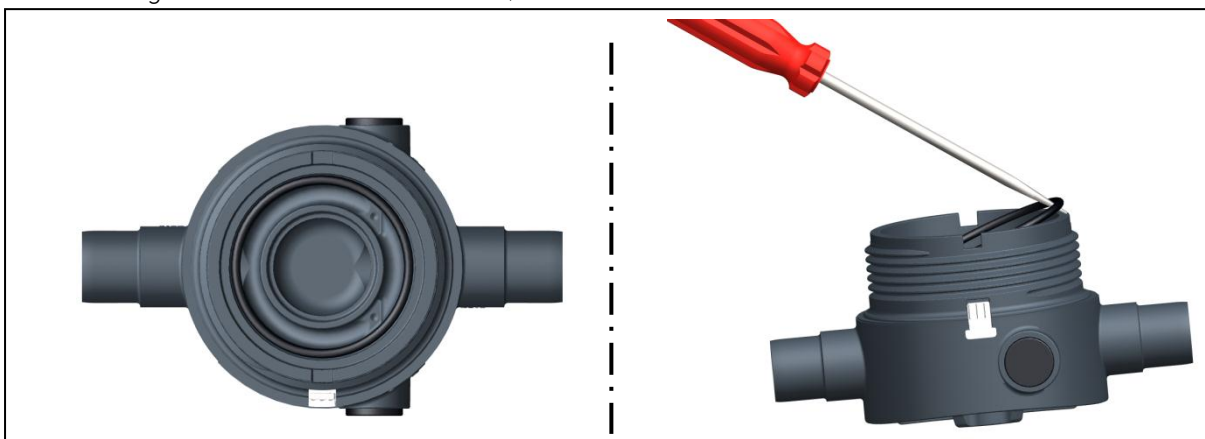


Abb. 10

- ▶ Um Membrane zu wechseln: Kartusche ersetzen, siehe [Kapitel "Ersatzteile"](#)

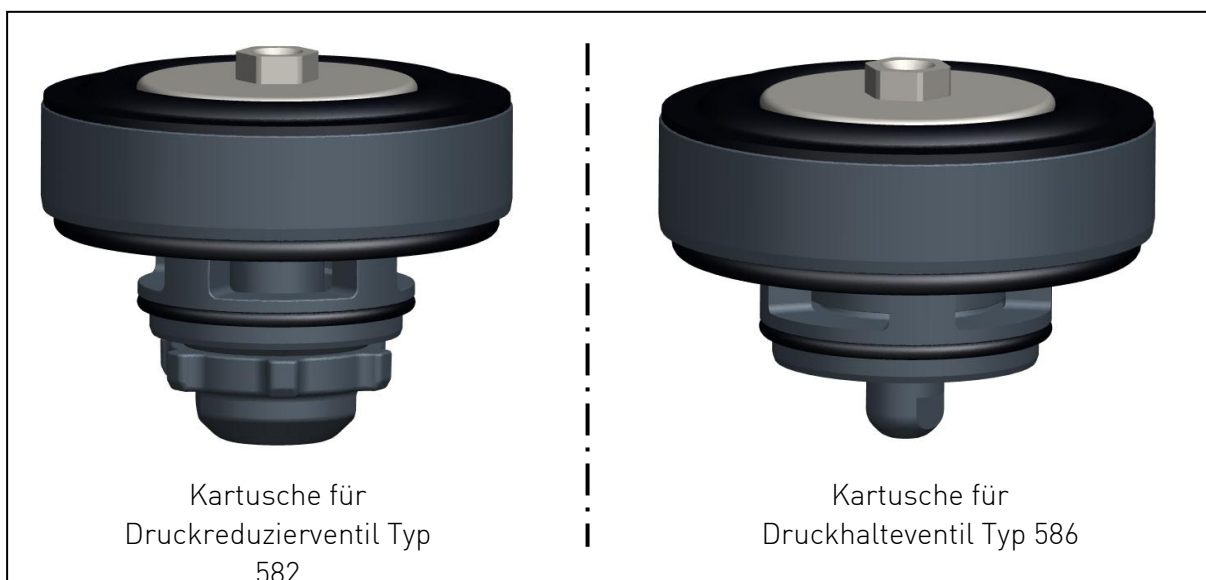


Abb. 11

11.1.2 Montage

- ▶ Sicherstellen, dass 2 O-Ringe richtig im Unterteil sitzen.
- ▶ Kartusche in Unterteil setzen und eindrücken, siehe Abb. 12
- ▶ Rasterelement tauschen bei Ventiltyp oder Elastomerwechsel

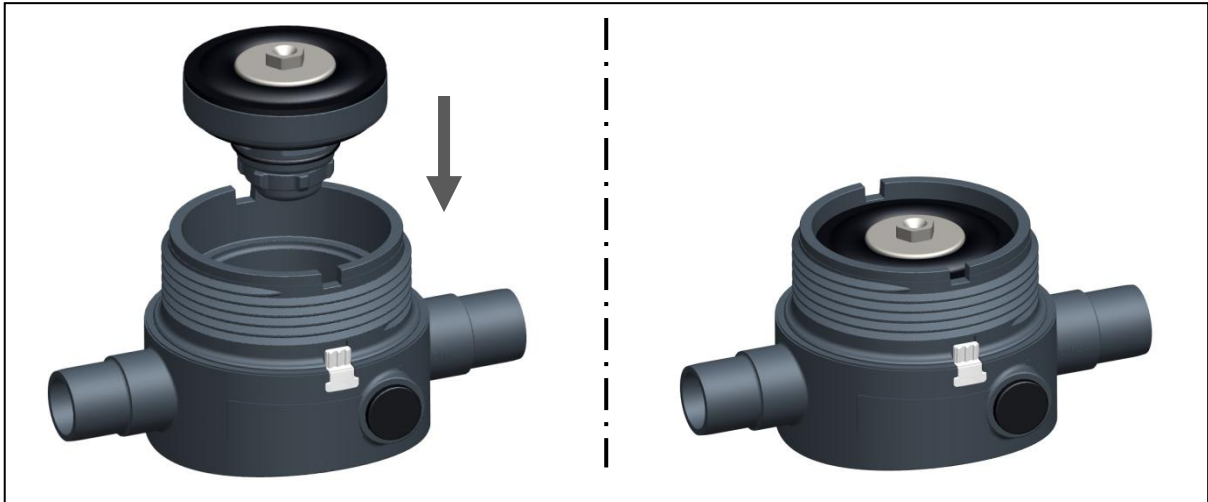


Abb. 12

- ▶ Haltering platzieren. Dabei sicherstellen, dass die beiden Nasen des Halterings in den Auskerbungen des Unterteils liegen, siehe Abb. 13

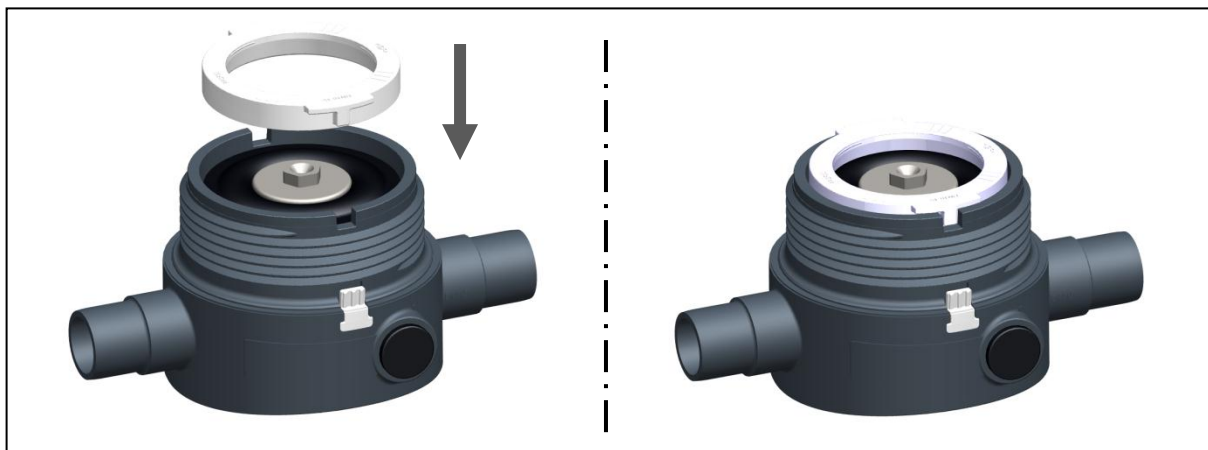


Abb. 13

- ▶ Druckstück auf Kartusche setzen, siehe Abb. 14

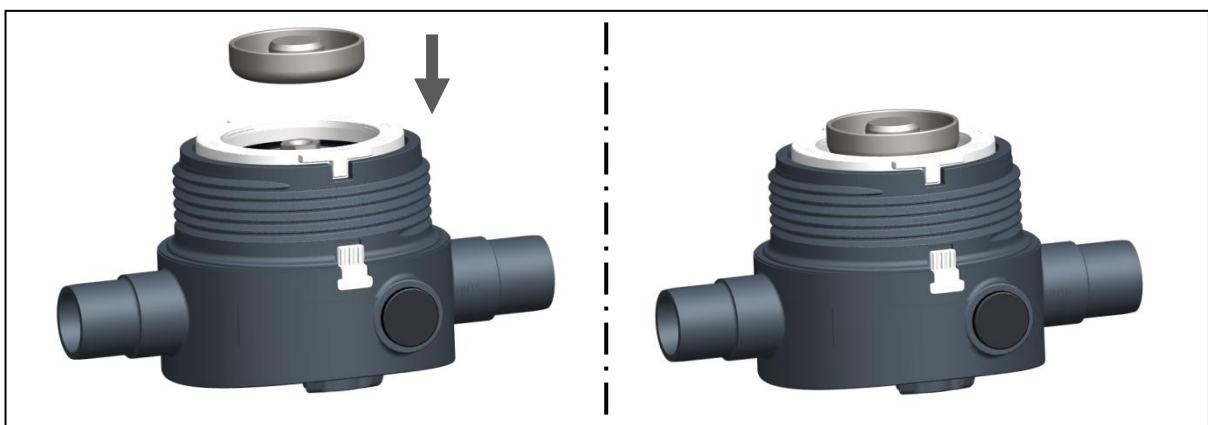


Abb. 14

- ▶ Federn auf Druckstück setzen, siehe Abb. 15

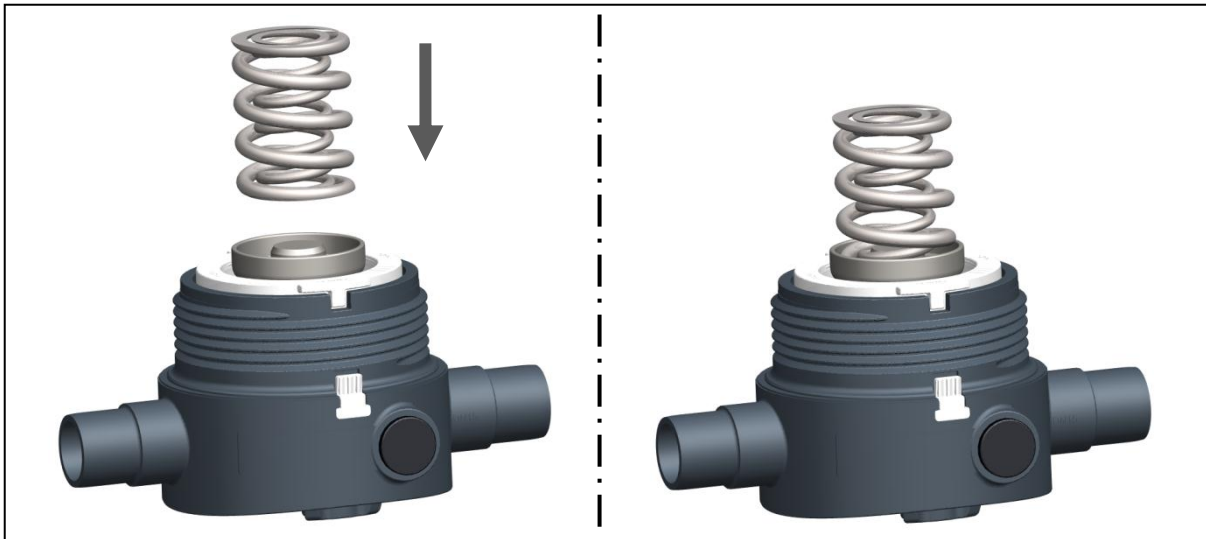


Abb. 15

- ▶ Oberteil auf Unterteil setzen.
- ▶ Unterteil fixieren und bis zur Markierung/ alte Siegeletikette (siehe Kapitel 11.1.1) +20° festziehen:

DN 10/15	DN 20/25	DN 32/40/50
50Nm	70Nm	120Nm

- ▶ Spaltmasskontrolle zwischen Ober- und Unterteil

DN 10/15	DN 20/25	DN 32/40/50
0.5 mm	0.6 mm	0.9 mm

- ▶ Ventil in Rohrleitung einbauen, siehe [Kapitel 9 „Installation“](#)
- ▶ Spindel mit Innensechskantschlüssel fixieren und gleichzeitig die Kontermutter mit entsprechendem Werkzeug anziehen.
- ▶ Arbeitsdruck einstellen, siehe [Kapitel 10.2 „Arbeitsdruck einstellen“](#)

11.2 Innengehäuse reinigen

- ▶ Demontage, siehe [Kapitel 11.1.1 "Demontage"](#)
- ▶ Bereich der Sitzdichtung kontrollieren und reinigen, siehe Abb. 16

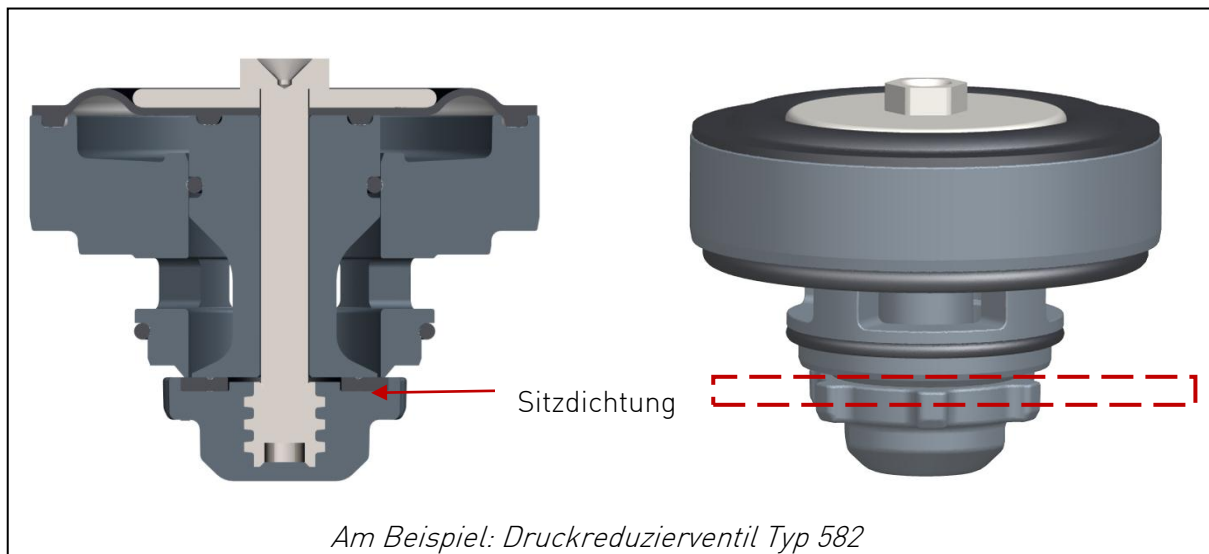


Abb. 16

- ▶ Bohrungen des Innengehäuses reinigen, siehe Abb. 17

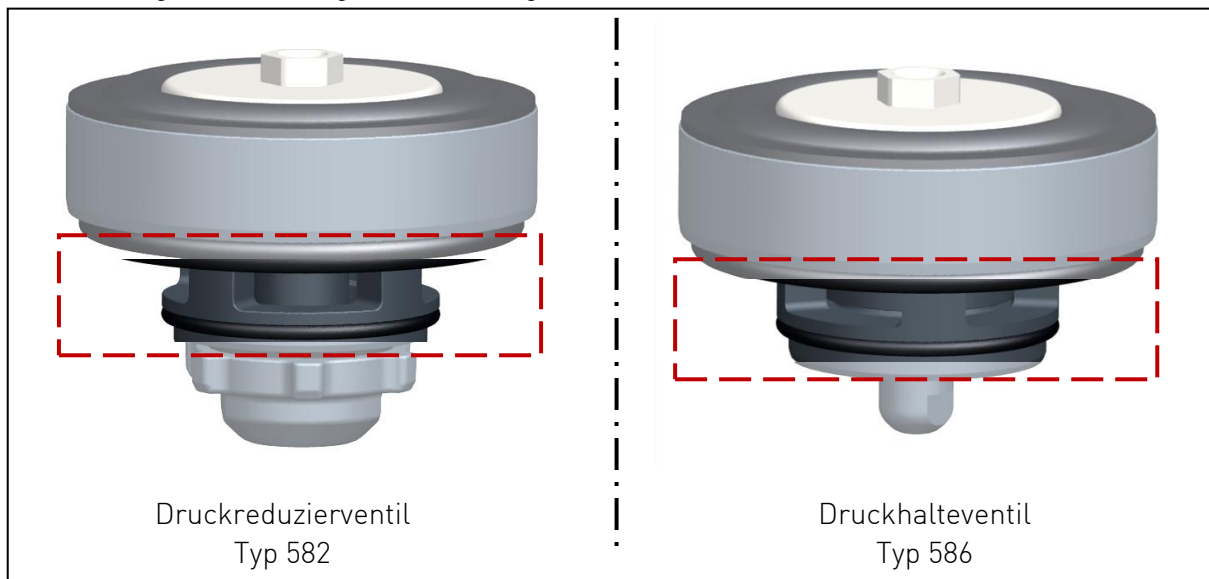




Abb. 17

12 Störungsbehebung

Störung	Mögliche Ursache	Fehlerbehebung
Leckage an Rohr	Undichte Verbindungen	Klebung bzw. Schweißung überprüfen und ggf. nachbessern Dichtungen überprüfen und ggf. austauschen
Leckage zwischen Ober- und Unterteil	Haltering nicht korrekt eingelegt	Haltering so platzieren, dass die beiden Nasen des Halterings in den Auskerbungen des Unterteils liegen
	Oberteil losgelöst	Oberteil nachziehen
Leckage am Oberteil	Kolbenschraube gelöst	Kolbenschraube nachziehen
	Membrane beschädigt	Membrane auswechseln, siehe Kapitel 11
	Steuerorgan (Membran, Kolben, Dichtungselemente sind defekt)	Kartusche ersetzen.
Sollwert wird nicht erreicht (gilt nur für Druckreduzierventil Typ 582)	Fremdkörper ist eingeklemmt, der das dichte Schliessen behindert	Feder anspannen, damit Ventil öffnet und Fremdkörper ausgeschwemmt wird (Achtung Druckerhöhung)
	Unreine Funktionsteile	Druckreduzierventil Typ 582 reinigen, siehe Kapitel 11.2
Zu hohe Trägheit, Sollwert wird nicht erreicht	Ventil zu klein ausgelegt	Ventilauslegung (kvs-Wert) überprüfen
Ventil reagiert nicht auf Druckluft	Ventil ist nicht für Druckluft ausgelegt und hat daher keinen Druckluftanschluss	Druckluft entfernen und anderes Ventil (z. B. pneumatisches Membranventil) für Anwendung wählen

Störung	Mögliche Ursache	Fehlerbehebung
Starke Geräuschentwicklung	Ventil zu gross ausgelegt. Dadurch öffnet das Ventil nur minimal, es kommt zu Schwingungen	Ventilauslegung (kvs-Wert) überprüfen
	Ventil zu klein ausgelegt. Dadurch kommt es zu überhöhten Strömungsgeschwindigkeiten im Ventil	Ventilauslegung (kvs-Wert) überprüfen
Übermässige Beschädigung des Druckreduzierventils Typ 582/ Druckhalteventils Typ 586	Verschmutzung des Mediums, Korrosionsablagerungen oder Fremdkörper.	Schmutzfänger einbauen
Manometer zeigt nichts an	Manometer defekt	Manometer austauschen
	Puffermedium ist aus Manometeradapter ausgetreten	Manometeradapter überprüfen, ggf. austauschen
Manometer bleibt auf konstantem Wert stehen	Manometer defekt	Manometer austauschen
	Bohrungen in Kartusche verstopft	Kartusche reinigen, siehe Kapitel 11.2 „Innengehäuse reinigen“
Oberteil lässt sich nicht auf Unterteil schrauben	Feder ist nicht entlastet Federteller befindet sich nicht im Anschlag, siehe Abb. 18	Federteller in Endlage schrauben, siehe Abb. 19
		
	Abb. 18	Abb. 19

13 Ersatzteile

Ersatzteile wie folgt bestellen:

- ▶ Ventiltyp und Dichtungswerkstoff anhand von Rasterelement identifizieren, siehe Kapitel 6.1. Dichtungswerkstoff.
- ▶ DN Grösse an Unterteil ablesen.
- ▶ Bezeichnung des Ersatzteils ablesen, siehe Kapitel 4.1 bzw. 4.2.
- ▶ Bestellung mit diesen Angaben und der benötigten Menge an die Vertretung von GF Piping System senden.

14 Zubehör

Bezeichnung	Artikelnummer		
	DN 10/15	DN 20/25	DN 32/40/50
Hakenschlüssel	198 806 451	198 806 452	198 806 453
Manometeradapter	198 806 650		
Manometer Messing	198 806 651		
Manometer Edelstahl	198 806 652		
Manometer Verschlussstopfen	198 806 653		

15 Entsorgung

- ▶ Vor Entsorgung die einzelnen Materialien nach recycelbaren Stoffen, Normalabfall und Sonderabfall trennen.
- ▶ Bei Entsorgung oder Recycling des Produkts, der einzelnen Komponenten und der Verpackung die örtlichen gesetzlichen Bestimmungen und Verordnungen einhalten.
- ▶ Länderspezifische Vorschriften, Normen und Richtlinien beachten.

**WARNUNG****Teile des Produkts können mit gesundheits- und umweltschädlichen Medien kontaminiert sein, so dass eine einfache Reinigung nicht ausreichend ist!**

Gefahr von Personen- oder Umweltschäden durch diese Medien.

Vor der Entsorgung des Produkts:

- ▶ auslaufende Medien sammeln und entsprechend der örtlichen Vorschriften entsorgen. Sicherheitsdatenblatt konsultieren.
- ▶ eventuelle Medienrückstände im Produkt neutralisieren.
- ▶ Werkstoffe (Kunststoffe, Metalle, usw.) trennen und diese nach den örtlichen Vorschriften entsorgen.

Bei Fragen bezüglich der Entsorgung des Produkts wenden Sie sich an Ihre nationale Vertretung von GF Piping Systems.

16 EG Herstellerklärung

Der Hersteller Georg Fischer Rohrleitungssysteme AG, 8201 Schaffhausen (Schweiz) erklärt, dass die Kugelhähne des Typs 546 gemäss der harmonisierten Bauart-Norm EN ISO 16135

Der Hersteller Georg Fischer Rohrleitungssysteme AG, 8201 Schaffhausen (Schweiz) erklärt, dass die Druckregelventile durch den Ausschluss, diese bei gefährlichen, brennbaren oder gasförmigen Medien einzusetzen, aufgrund von Nennweite und Druckstufe nicht in den Geltungsbereich der Druckgeräterichtlinie 97/23/EG fallen.

Änderungen am Druckregelventil, die Auswirkungen auf die angegebenen technischen Daten und den bestimmungsgemässen Gebrauch haben, machen diese Herstellererklärung ungültig.

Name: Antonio De Agostini

Position: R&D Manager Georg Fischer Piping Systems

Datum: 20.02.2014

Translation of the original instructions

Disclaimer

The technical data are not binding. They neither constitute expressly warranted characteristics nor guaranteed properties nor a guaranteed durability. They are subject to modification. Our General Terms of Sale apply.

Observe instruction manual

The instruction manual is part of the product and an important element within the safety concept.

- ▶ Read and observe instruction manual.
- ▶ Always have instruction manual available by the product.
- ▶ Give instruction manual to all subsequent users of the product.

Traduction de la notice originale

Exclusion de responsabilité

Les données techniques sont fournies à titre indicatif. Elles ne sont pas des garanties et ne constituent pas non plus un gage de propriété intrinsèque ou de durabilité. Sous réserve de modifications. Nos conditions générales de vente s'appliquent.

Se reporter au mode d'emploi

Le mode d'emploi fait partie intégrante du produit et constitue un élément essentiel du concept de sécurité.

- ▶ Lire et respecter le mode d'emploi.
- ▶ Le mode d'emploi doit toujours être à proximité du produit.
- ▶ Transmettre le mode d'emploi à tous les utilisateurs successifs du produit.




Sommaire

Sommaire	51
1 À propos de ce document	52
1.1 Avertissements	52
1.2 Autres symboles et marques particulières	52
1.3 Documents applicables	52
2 Sécurité et responsabilité	53
2.1 Utilisation conforme	53
2.2 Consignes de sécurité	53
3 Transport et stockage	53
4 Structure	54
4.1 Réducteur de pression	54
4.2 Détendeur de pression	55
4.3 Manomètre	56
5 Fonction	56
5.1 Réducteur de pression	56
5.2 Détendeur de pression	56
6 Identification	57
6.1 Type de soupape / matériau d'étanchéité (joints toriques)	57
7 Données techniques	57
8 Outils requis	58
9 Installation	58
10 Mise en service	61
10.1 Contrôle de pression	61
10.2 Régler la pression de service	61
11 Maintenance	63
11.1 Remplacer la membrane et les joints toriques	64
11.1.1 Démontage	64
11.1.2 Montage	66
11.2 Nettoyer le boîtier interne	68
12 Élimination des défauts	69
13 Pièces de rechange	71
14 Accessoires	71
15 Élimination	71
16 Déclaration CE du fabricant	72



1 À propos de ce document

1.1 Avertissements

Des avertissements sont utilisés dans ce mode d'emploi afin de signaler un danger de mort, un risque de blessures ou des dégâts matériels. Toujours lire et respecter ces avertissements!

Symbole d'avertissement	Signification
 DANGER	Menace de danger imminente ! En cas de non-respect, vous risquez la mort ou de graves blessures. ► Mesures pour éviter le danger.
 AVERTISSEMENT	Menace de danger potentiel ! En cas de non-respect, vous risquez de graves blessures. ► Mesures pour éviter le danger.
 ATTENTION	Situation dangereuse ! En cas de non-respect, vous risquez de légères blessures. ► Mesures pour éviter le danger.
AVIS	Situation dangereuse ! En cas de non-respect, il existe un risque de dégâts matériels. ► Mesures pour éviter le danger.

1.2 Autres symboles et marques particulières

Symbole	Signification
	Remarques : contiennent des informations importantes pour la compréhension.
	Demande d'action : vous devez faire quelque chose.
1.	Demande d'action dans une procédure : vous devez faire quelque chose.

1.3 Documents applicables

- Bases de planification pour l'industrie Georg Fischer

Ces documents sont disponibles auprès d'un représentant de GF Piping Systems ou sur www.gfps.com.

2 Sécurité et responsabilité

2.1 Utilisation conforme

Les réducteurs de pression de type 582 et détendeurs pression de type 586 sont destinées à être exploitées avec des fluides liquides purs et non abrasifs. Le produit et tous ses composants sont destinés à être utilisés dans les limites de pression et de températures autorisées et de stabilité chimique.

Réducteur de pression de type 582

Les réducteurs de pression de type 582 sont destinées à diminuer la pression du système après leur montage dans un système de tuyauterie et à maintenir cette pression quasiment constante à une valeur déterminée.

Détendeur de pression de type 586

Les détendeurs de pression de type 586 sont destinées à maintenir la pression du système après leur montage dans un système de tuyauterie et à maintenir cette pression quasiment constante à une valeur déterminée.

Mauvais usage prévisible

Les réducteurs de pression de type 582 et détendeurs de pression de type 586 ne sont **pas** destinées à être exploitées comme organe d'arrêt.

Les réducteurs de pression de type 582 et de détendeurs de pression de type 586 ne sont **pas** destinées à être exploitées avec des gaz ou autres fluides compressibles.

2.2 Consignes de sécurité

Afin de garantir la sécurité du fonctionnement, l'exploitant est responsable de la mise en œuvre des mesures suivantes :

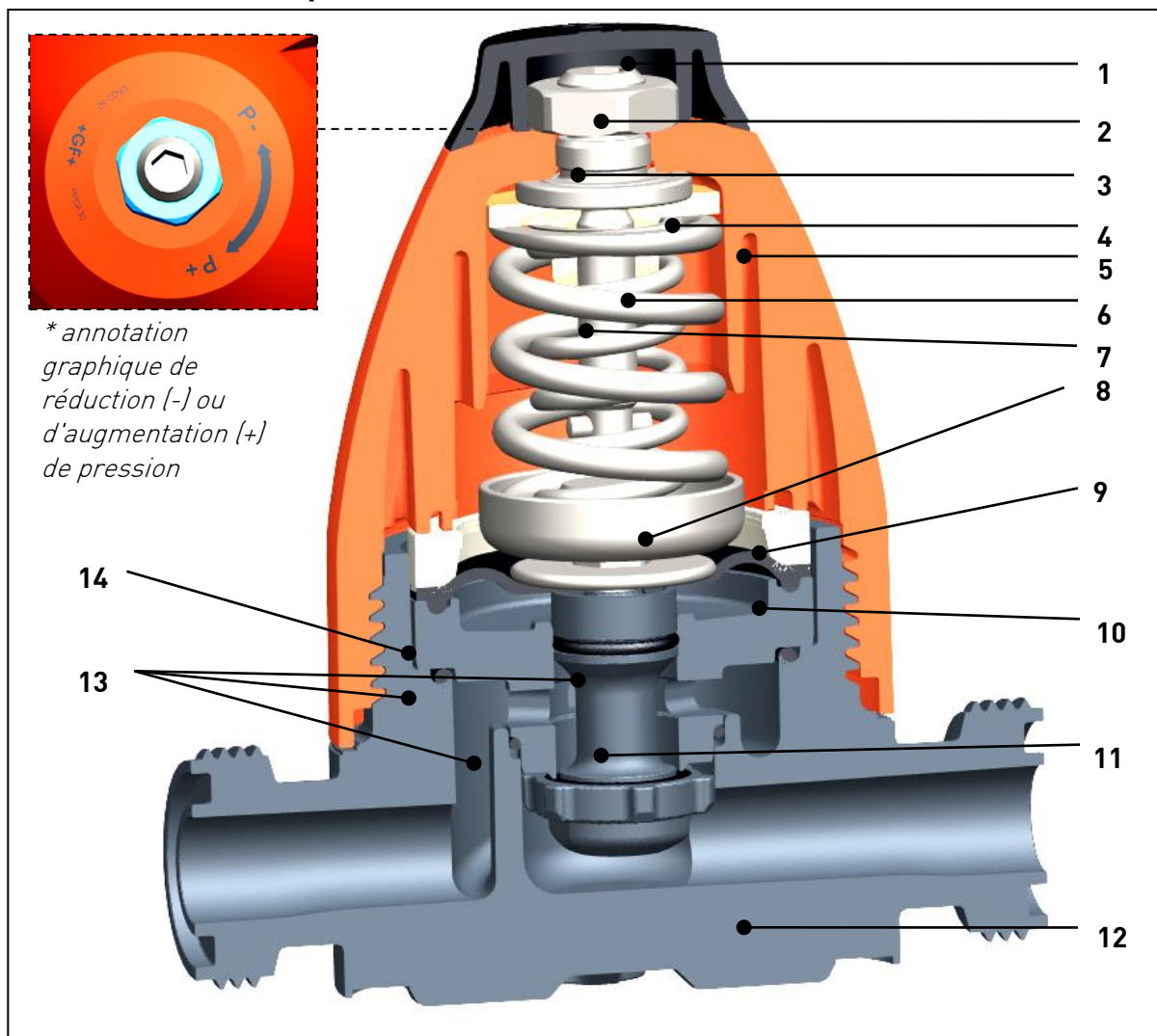
- ▶ Utiliser le produit conformément aux dispositions uniquement, voir Utilisation conforme.
- ▶ Ne pas utiliser un produit si elle est endommagée ou défectueuse. Isoler immédiatement tout produit endommagé.
- ▶ S'assurer que le système de tuyauterie est posé correctement et qu'il est contrôlé régulièrement.
- ▶ Les produits et accessoires doivent uniquement être montés par des personnes qui disposent de la formation, des connaissances ou de l'expérience nécessaires.
- ▶ Informer régulièrement le personnel de toutes les questions relatives aux prescriptions locales applicables en matière de sécurité du travail et de protection de l'environnement, notamment pour les canalisations sous pression.

3 Transport et stockage

- ▶ Protéger le produit des forces extérieures (impacts, coups, vibrations, etc.).
- ▶ Transporter et/ou stocker le produit dans son emballage d'origine non ouvert.
- ▶ Protéger le produit de la poussière, de la saleté, de l'humidité ainsi que des rayonnements UV et solaires.
- ▶ S'assurer que le produit n'est pas endommagé par des influences thermiques ou mécaniques.
- ▶ Contrôler le produit avant le montage afin de détecter d'éventuels dégâts de transport.

4 Structure

4.1 Réducteur de pression

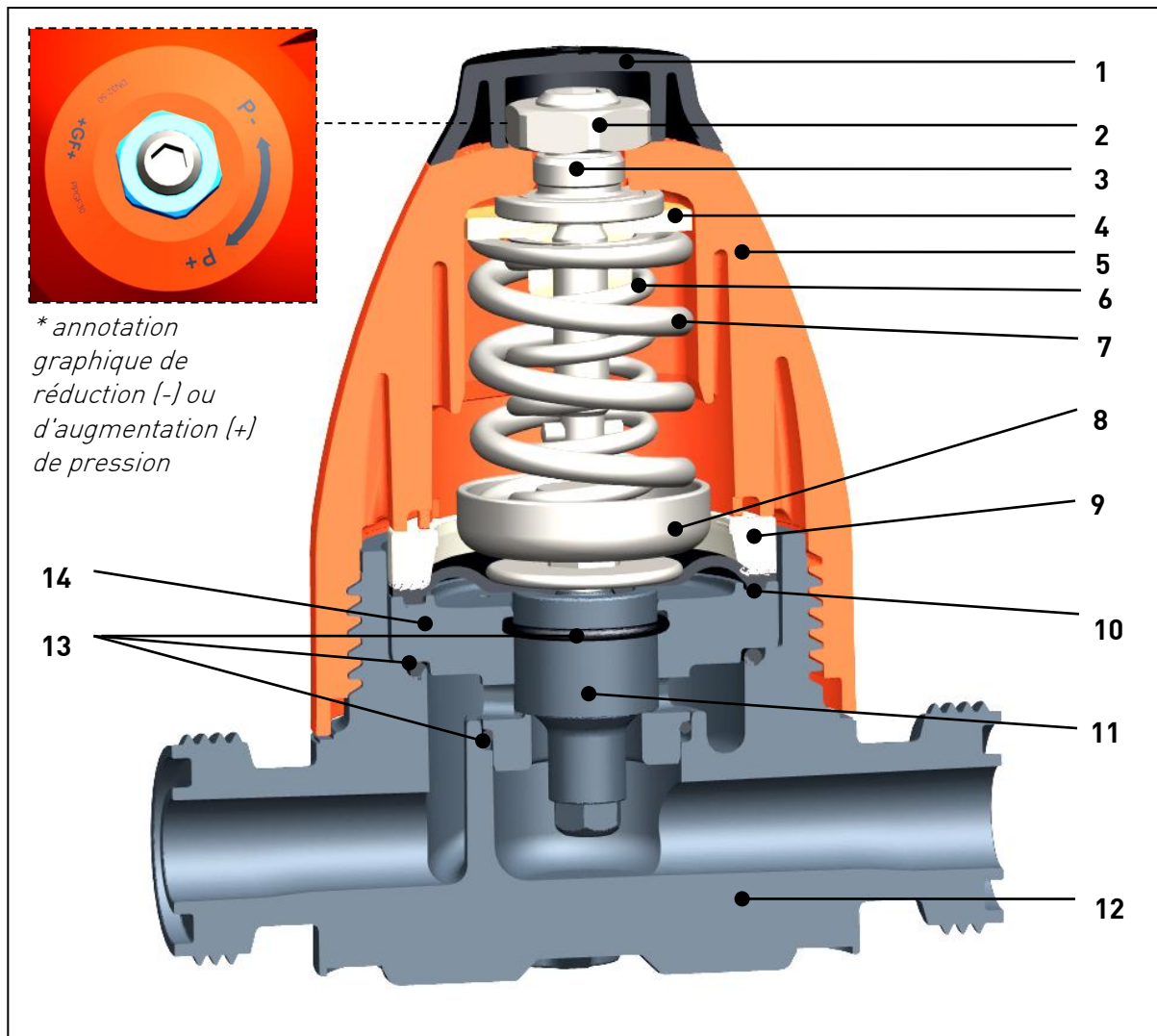


1	Capuchon	8	Compresseur
2	Contre-écrou	9	Anneau de blocage
3	Pivot/vis de réglage	10	Membrane
4	Appui de ressort	11	Piston
5	Tête*	12	Partie inférieure
6	Ressort intérieur	13	Joints toriques
7	Ressort extérieur	14	Boîtier interne



La membrane, les joints toriques, le disque de membrane, le boîtier interne et le piston forment la cartouche.

4.2 Détendeur de pression

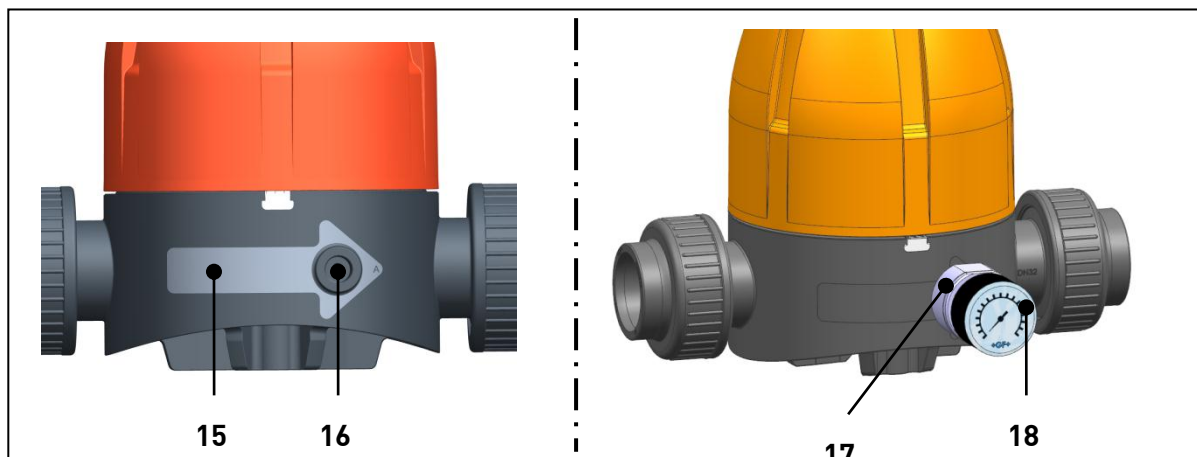


1	Capuchon	8	Compresseur
2	Contre-écrou	9	Anneau de blocage
3	Pivot/vis de réglage	10	Membrane
4	Appui de ressort	11	Piston
5	Tête*	12	Partie inférieure
6	Ressort intérieur	13	Joints toriques
7	Ressort extérieur	14	Boîtier interne



La membrane, les joints toriques, le disque de membrane, le boîtier interne et le piston forment la cartouche.

4.3 Manomètre



15	Marquage du sens d'écoulement	17	Adaptateur de manomètre (option)
16	Manchon d'adaptation pour manomètre	18	Manomètre



Si le réducteur de pression de type 582 / le détendeur de pression de type 586 est une version pour manomètre, un manomètre est alors préalablement monté en usine.

5 Fonction

5.1 Réducteur de pression

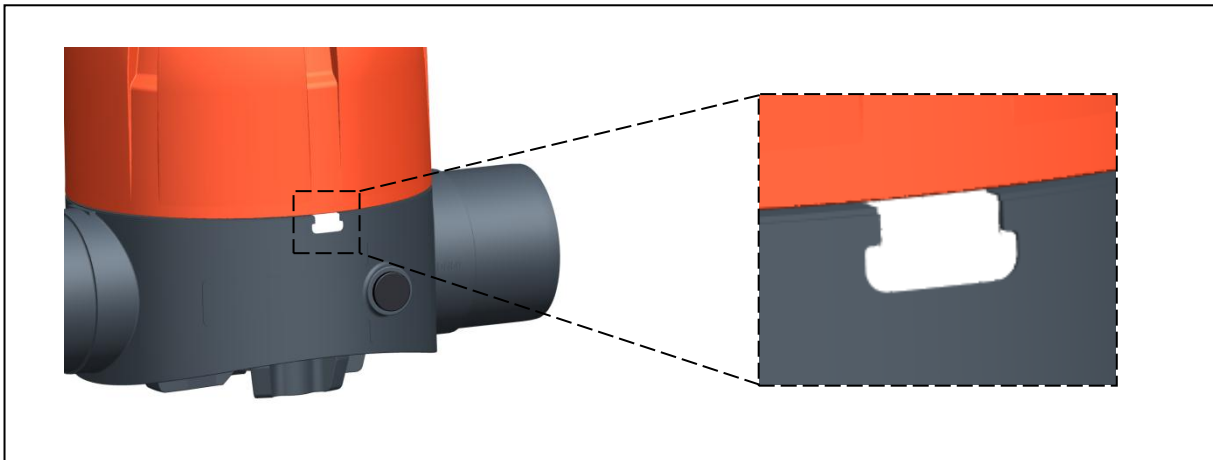
La pression du côté de la sortie de soupape s'exerce sur le ressort de réglage par l'intermédiaire de la membrane. Un équilibre de forces se forme grâce à la prétension du ressort réglée au moyen d'une vis de réglage située sur la soupape. Lorsque la pression de sortie dépasse la valeur déterminée, le piston se soulève contre la force du ressort. La soupape se ferme et la pression de sortie diminue. Si la pression de sortie passe en deçà de la valeur déterminée, le piston est pressé vers le bas par la force du ressort. La soupape commence à s'ouvrir jusqu'à ce que l'équilibre soit obtenu. Que la pression d'entrée augmente ou diminue, la pression de sortie reste quasiment constante car celle-ci n'est pas dépendante de la pression d'entrée.

5.2 Détendeur de pression

La pression souhaitée dans la conduite d'arrivée de la soupape est obtenue par le biais de la pression réglable du ressort. Si, par ex. en raison d'un débit élevé de la pompe, la pression d'entrée augmente au-dessus de la valeur déterminée, le piston de la soupape se soulève contre la force du ressort. Ainsi, la soupape s'ouvre et une décompression a lieu dans la conduite de sortie. Si la pression dans la conduite d'arrivée diminue, la force du ressort presse le piston vers le bas en direction du siège de la soupape qui se ferme dès que la pression d'entrée devient inférieure à la prétension réglée du ressort. Ce dispositif assure ainsi une pression constante dans la conduite d'arrivée.

6 Identification

6.1 Type de soupape / matériau d'étanchéité (joints toriques)



Type de soupape	Matériau d'étanchéité	Couleur d'élément crémaillère
Réducteur de pression de type 582	EPDM	blanc
Réducteur de pression de pression de type 582	FPM	vert
Détendeur de pression de type 586	EPDM	noir
Détendeur de pression de type 586	FPM	rouge

7 Données techniques

Dimensions	DN 10-50 (3/8" - 2")
Matériaux	PVC-U, PVC-C, PP-H, PVDF
Membrane	EPDM/PTFE
Joints d'étanchéité	EPDM, FPM
Raccords	Raccords unions, Bouts mâles
Pression nominale	PN 10
Plages de pression réglable	0,5 - 9 bar / en option 0,3 - 3 bar (7 - 130 psi / en option 4 - 44 psi)
Hystérésis	max. 0,5 bar (max. 6 psi)
Différence de pression	Différence de pression entre pression d'entrée et de sortie : min. 1 bar

8 Outils requis

Outil	DN 10/15	DN 20/25	DN 32/40/50
Clé mâle pour vis à six pans creux	DN 6	DN 8	DN 10
Clé plate	DN 19	DN 24	DN 30
Clé à griffe ou clé serre-tube à sangle	80-90 mm	95-100 mm	135-145 mm
Tournevis	Taille 1		
Dispositif de fixation, par ex. étau	aucune différence		

9 Installation



AVERTISSEMENT - UNIQUEMENT POUR VERSION AVEC MANOMÈTRE

Risque de blessure et / ou de dégâts matériels en cas de modification du manomètre ! Valable pour les versions avec et sans adaptateur.

- Le manomètre est monté, préréglé et contrôlé départ usine. Il convient donc de s'assurer qu'aucune modification du manomètre n'est entreprise.

Les corps de soupape sont adaptés à différents types de raccords :



Raccord : montage et démontage radial



Raccord : bouts mâles



Les soupapes de réduction de pression de type 582 / soupapes de maintien de pression de type 586 sont livrées avec un ressort hors contrainte.

- ▶ S'assurer que le réducteur de pression de type 582 / détendeur de pression de type 586 est adaptée aux conditions d'exploitation, voir plaquette signalétique.
- ▶ Vérifier l'absence de dommages du réducteur de pression de type 582 / détendeur de pression de type 586 avant son installation. Ne pas utiliser un produit si elle est endommagée ou défectueuse.
- ▶ S'assurer que le montage du réducteur de pression de type 582 / détendeur de pression de type 586 a lieu sans contrainte.
- ▶ Pour garantir un débit optimal, s'assurer que
 - le réducteur de pression de type 582 / détendeur de pression de type 586 est installée dans une section de tuyauterie sans perturbation d'écoulement et
 - des coudes , les points d'étranglement, les organes d'arrêt présentent un écart minimal de $10 \times DN$ par rapport au réducteur de pression de type 582 / détendeur de pression de type 586.
- ▶ Respecter le sens d'écoulement, voir la flèche de direction sur la partie inférieure (Fig. 1)

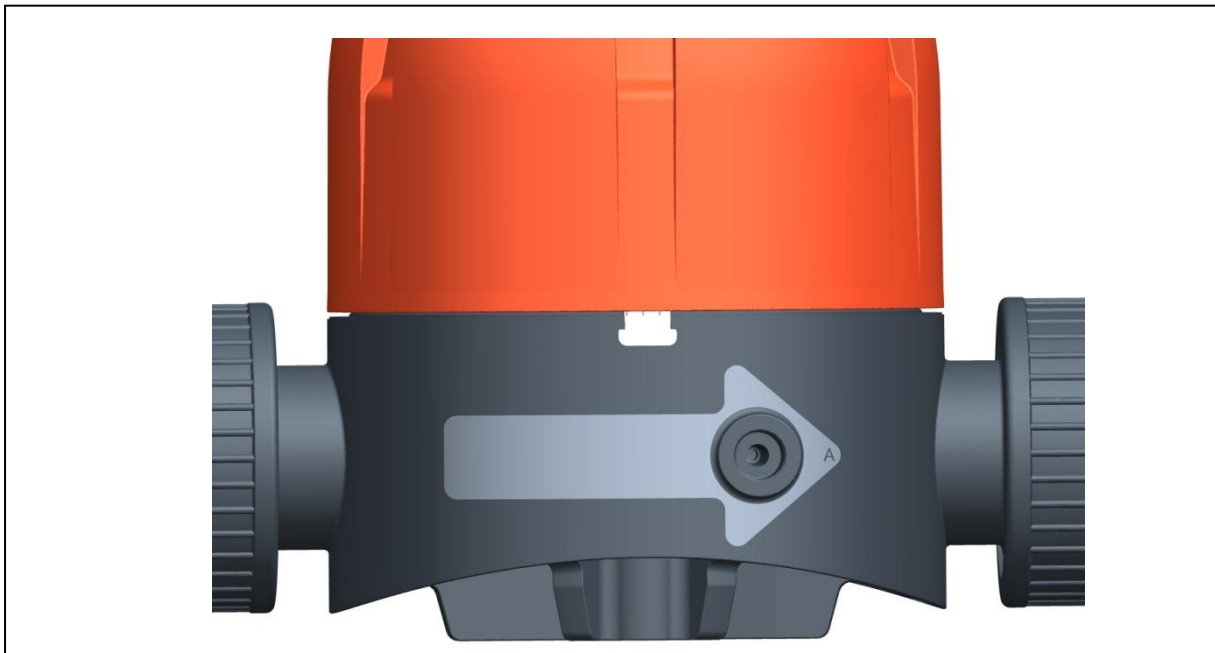


Fig. 1

- ▶ Respecter les variantes de raccords, voir les variantes « montage et démontage radial » et « bouts mâles ».

Variante « montage et démontage radial » :

- ▶ Desserrer l'écrou d'accouplement et insérer sur l'extrémité du tuyau prévue.
- ▶ Relier les pièces de raccordement avec les extrémités du tuyau. Pour les notices relatives aux différents types de raccordements, voir bases de planification.
- ▶ Positionner le réducteur de pression de type 582 / détendeur de pression de type 586 entre les pièces de raccordement.
- ▶ Serrer l'écrou d'accouplement à la main.

« Variante à manchons » :

- ▶ Si le montage s'effectue sur une variante à brides, respecter le couple de serrage des brides, voir « Bases de planification Georg Fischer ».



Afin de protéger les éléments des salissures et d'une usure prématurées due à l'abrasion, il est recommandé d'installer un filtre à tamis sur l'entrée du réducteur de pression de type 582 / détendeur de pression de type 586.

Joint collé

- ▶ Joindre uniquement des matériaux identiques entre eux.
- ▶ Après avoir observé un temps de durcissement du joint, rincer la section de tuyauterie aussi rapidement que possible à l'eau sans pression, voir le chapitre « Techniques d'assemblage » dans les « Bases de planification Georg Fischer ».

Joint soudé

- ▶ Joindre uniquement des matériaux identiques entre eux, voir le chapitre « Techniques d'assemblage » dans les « Bases de planification Georg Fischer ».

10 Mise en service

10.1 Contrôle de pression

- ▶ S'assurer que la pression contrôlée ne dépasse pas 1,1 fois la pression en aval maximale réglée.

10.2 Régler la pression de service

- ▶ Enlever le capuchon de la tête, voir Fig. 2. Pour ce faire, introduire un tournevis plat dans l'encoche située sur le capuchon.



Fig. 2

- ▶ Desserrer le contre-écrou, voir Fig. 3.

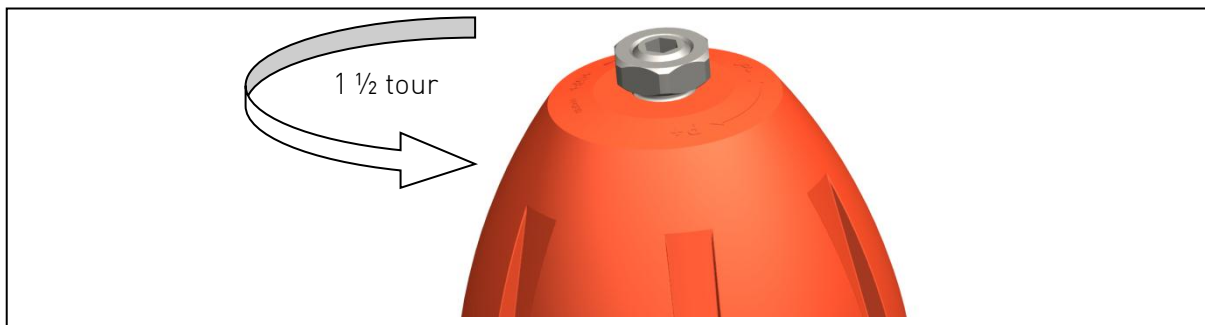


Fig. 3

- ▶ Pour augmenter la valeur de consigne : tendre le ressort. Pour ce faire, faire tourner le pivot dans le sens des aiguilles d'une montre, voir Fig. 4.

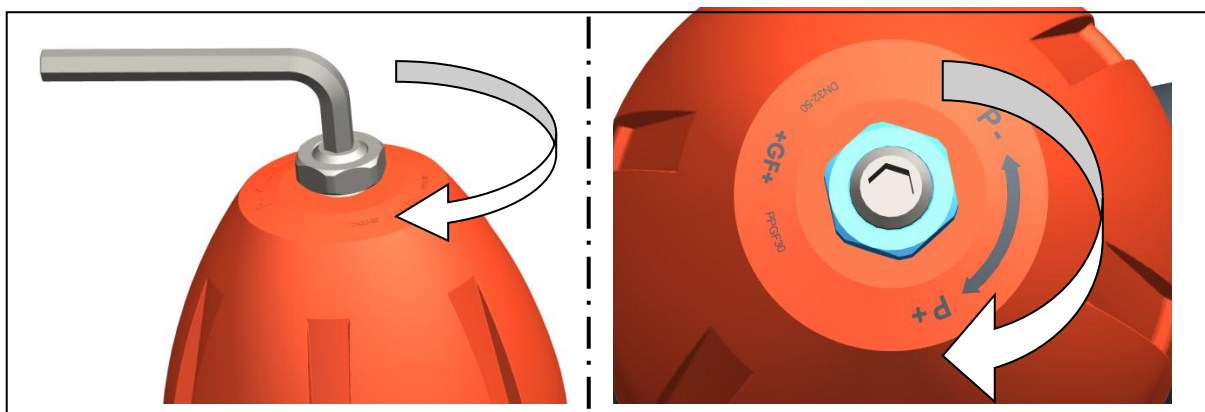


Fig. 4

- Pour abaisser la valeur de consigne : détendre le ressort. Pour ce faire, faire tourner le pivot dans le sens contraire des aiguilles d'une montre, voir Fig. 5.

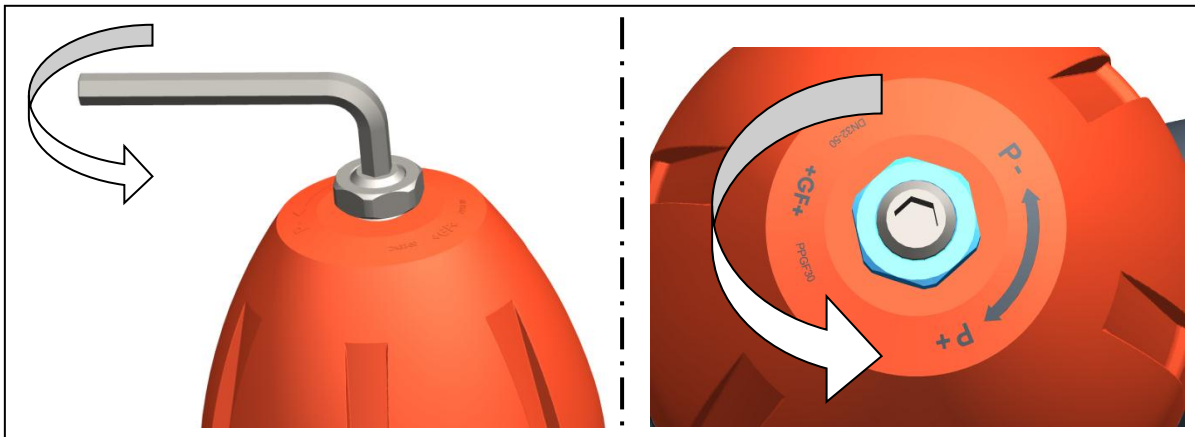


Fig. 5

- S'assurer que la valeur de consigne est réglée. Pour ce faire, lire la valeur de consigne sur le manomètre ou sur un indicateur similaire.

**ATTENTION**

Risque de dérèglement de la valeur de consigne du réducteur de pression de type 582 / détendeur de pression de type 586 en cas de mauvais blocage par contre-écrou.

- Fixer le pivot à l'aide d'une clé mâle pour vis à six pans creux et serre en même temps le contre-écrou au moyen d'un outil adapté, voir Fig. 6.

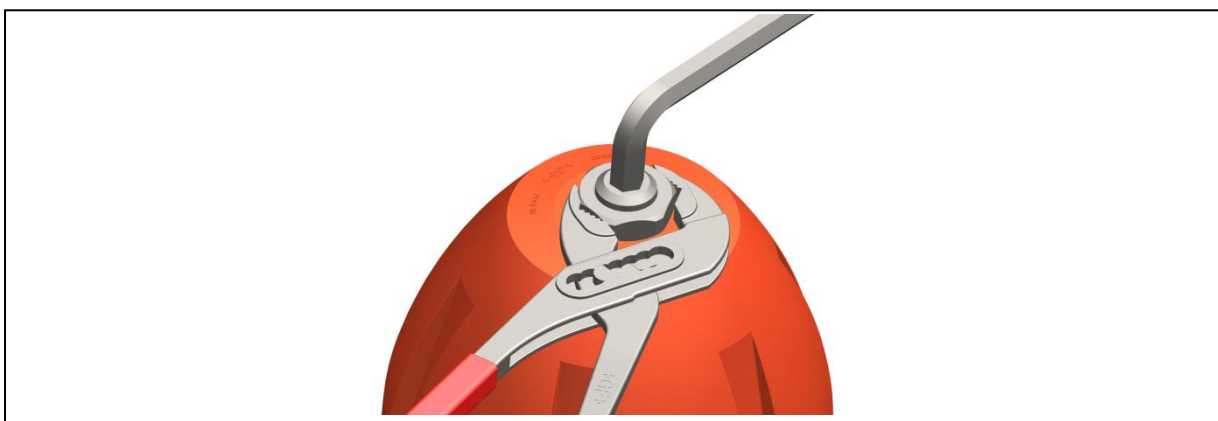


Fig. 6

- Placer le capuchon sur la tête.

11 Maintenance



AVERTISSEMENT

Risque de blessure dû à une fuite incontrôlée du fluide !

Si la pression n'a pas été complètement relâchée, le fluide risque de fuir de manière incontrôlée.

- ▶ Avant l'extraction / la maintenance / le démontage d'éléments : laisser la pression baisser totalement dans la tuyauterie.
- ▶ Dans le cas de fluides toxiques, inflammables ou explosifs : vidanger et rincer totalement la tuyauterie avant l'extraction. Attention aux éventuels résidus.
- ▶ Assurer une collecte sécurisée des fluides à l'aide de mesures appropriées.



Ouverture difficile en raison de la prétension du ressort. S'assurer que le ressort est absolument hors contrainte avant d'ouvrir la tête. Pour ce faire, faire tourner le pivot dans le sens contraire des aiguilles d'une montre (P-) jusqu'en position de butée.



ATTENTION

Risque de blessure et de qualité de produit défectueuse dus à l'utilisation de pièces de rechange non fournies par GF Piping Systems !

- ▶ Utiliser exclusivement les pièces de rechange indiquées, voir chapitre Pièces de rechange.

- ▶ Déterminer les intervalles de maintenance conformément aux conditions d'utilisation (par ex. les cycles de positionnement, les fluides, la température ambiante).
- ▶ Réaliser les opérations de maintenance suivantes dans le cadre de l'inspection périodique de l'installation.

Intervalle de maintenance	Opération de maintenance
régulièrement	▶ Vérification de l'aptitude fonctionnelle des éléments d'étanchéité, pistons, membranes et remplacement si nécessaire.
régulièrement	▶ Vérification de l'étanchéité du boîtier, du raccordement de tube et de la ligne de commande
régulièrement	▶ Nettoyage du boîtier interne

11.1 Remplacer la membrane et les joints toriques

- ▶ Extraire la soupape de la conduite et la placer en position horizontale.

11.1.1 Démontage

- ▶ Avant le démontage : marquer sur le boîtier la position de la tête par rapport à la partie inférieure.
- ▶ Enlever le capuchon de la tête, voir Fig. 2. Pour ce faire, utiliser un tournevis plat.
- ▶ Détendre le ressort. Pour ce faire, faire tourner le pivot dans le sens contraire des aiguilles d'une montre (P-) jusqu'en position de butée.
- ▶ Fixer la partie inférieure à l'aide d'un outil approprié et desserrer la tête. Pour ce faire, faire pivoter la tête dans le sens contraire des aiguilles d'une montre, voir Fig. 7. L'étiquette d'inviolabilité se déchire alors.



Fig. 7

- ▶ Enlever le compresseur, le ressort et l'anneau de blocage, voir Fig. 8
En option, variante de 0,3 - 3 bar (4 - 44 psi) : un ressort

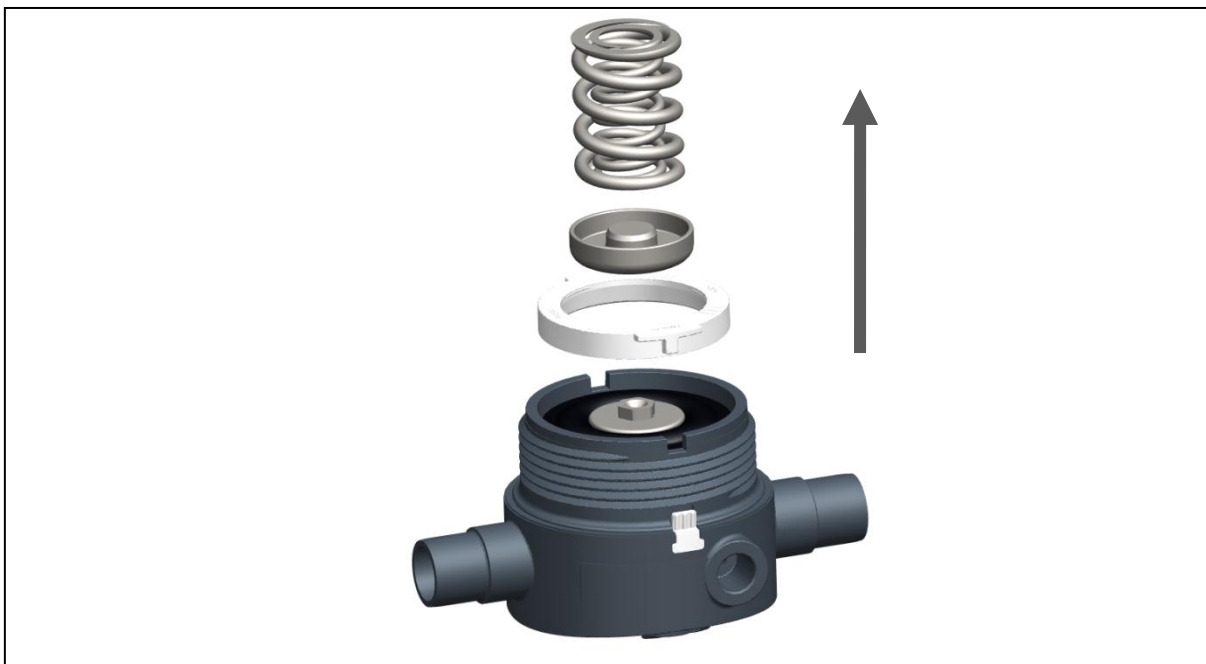


Fig. 8

- ▶ Extraire la cartouche de la partie inférieure à l'aide d'un outil approprié (par ex. une pince), voir Fig. 9.

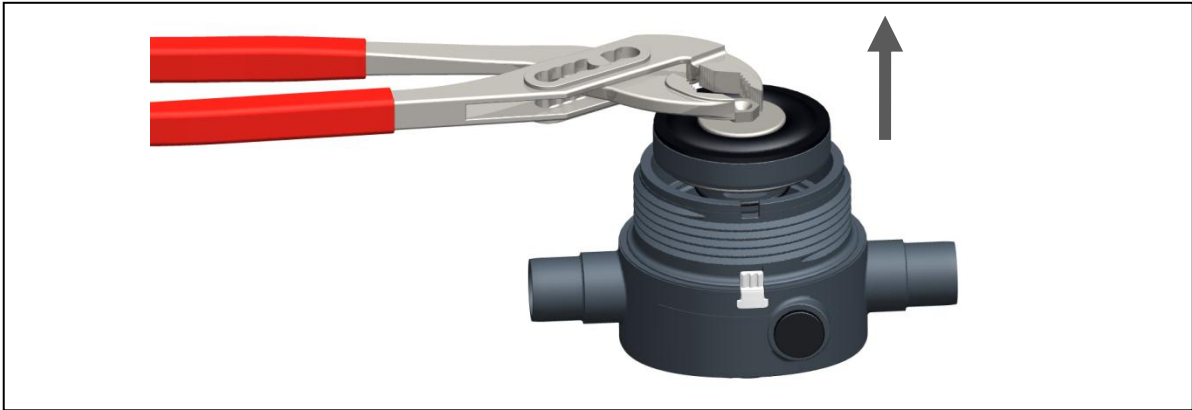


Fig. 9

- ▶ Extraire les 2 joints toriques de la partie inférieure, voir Fig. 10.

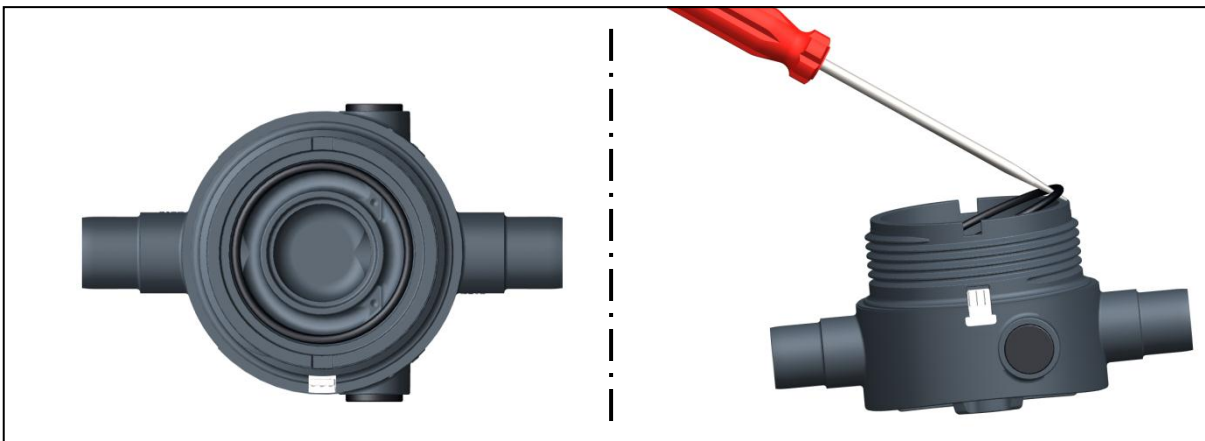


Fig. 10

- ▶ Pour changer la membrane : remplacer la cartouche, voir le [chapitre « Pièces de rechange »](#)

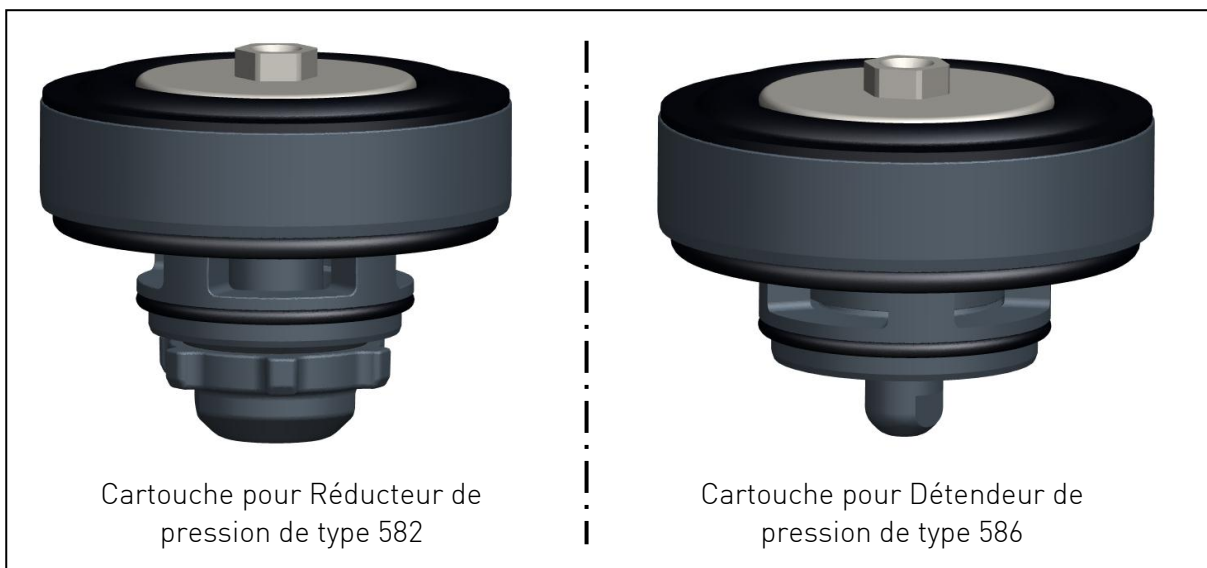


Fig. 11

11.1.2 Montage

- ▶ S'assurer que les 2 joints toriques sont bien installés dans la partie inférieure.
- ▶ Déposer la cartouche dans la partie inférieure et l'enfoncer, voir Fig. 12.
- ▶ Remplacer l'élément crémaillère en cas de changement de type de soupape ou d'élastomère.

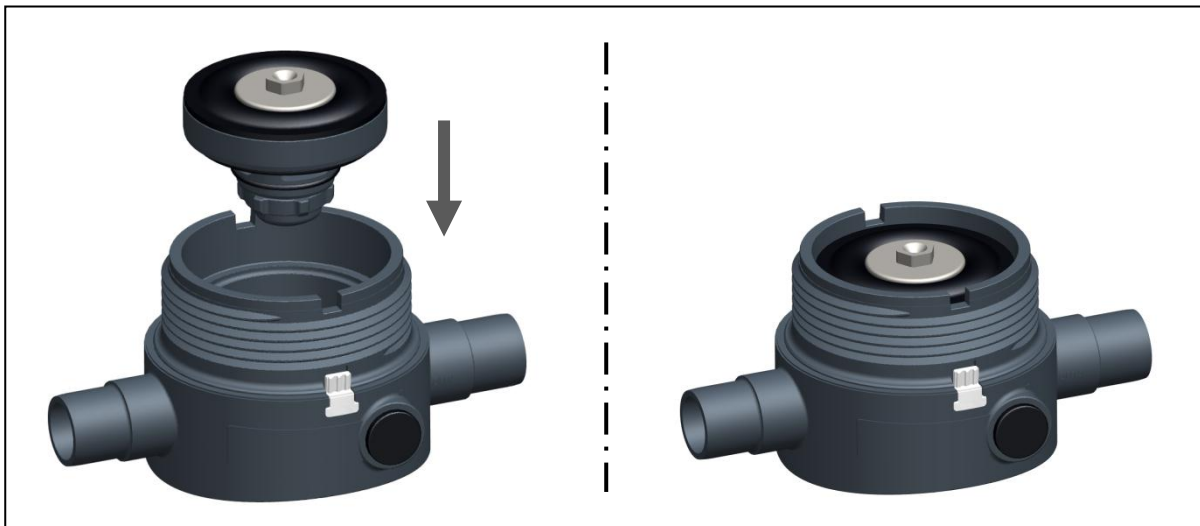


Fig. 12

- ▶ Déposer l'anneau de blocage. Pour cela, s'assurer que les deux ergots de l'anneau de blocage soient logés dans les encoches de la partie inférieure, voir Fig. 13.

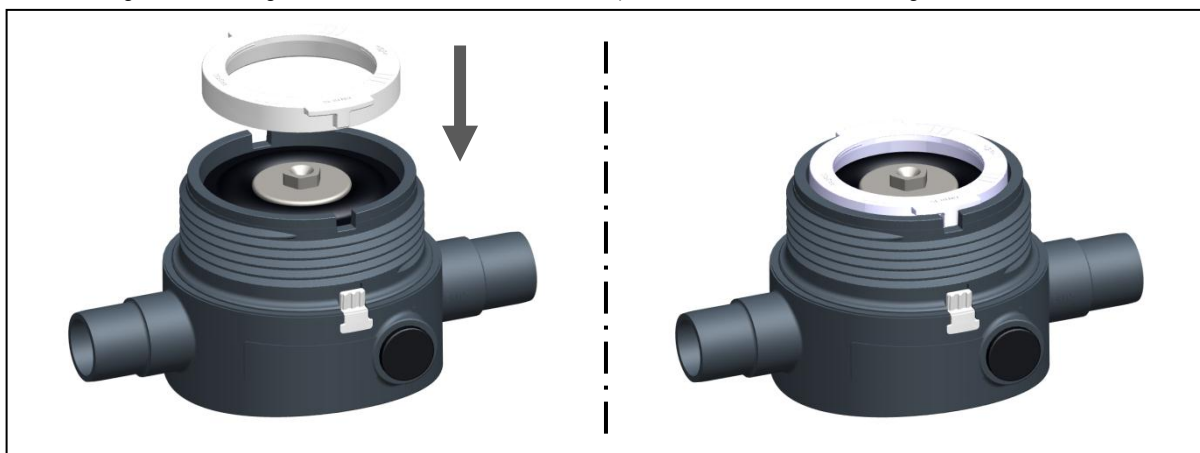


Fig. 13

- ▶ Poser le compresseur sur la cartouche, voir Fig. 14.

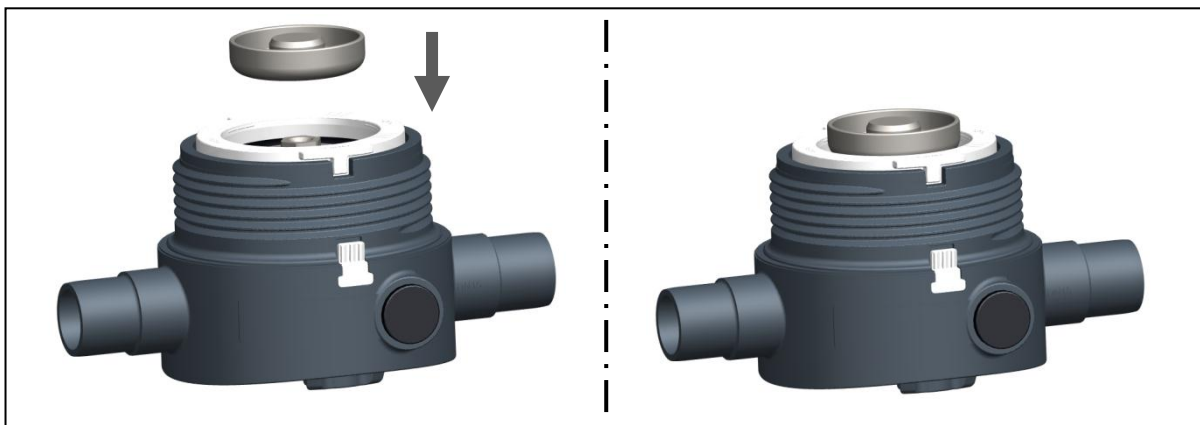


Fig. 14

- Poser le ressort sur le compresseur, voir Fig. 15.

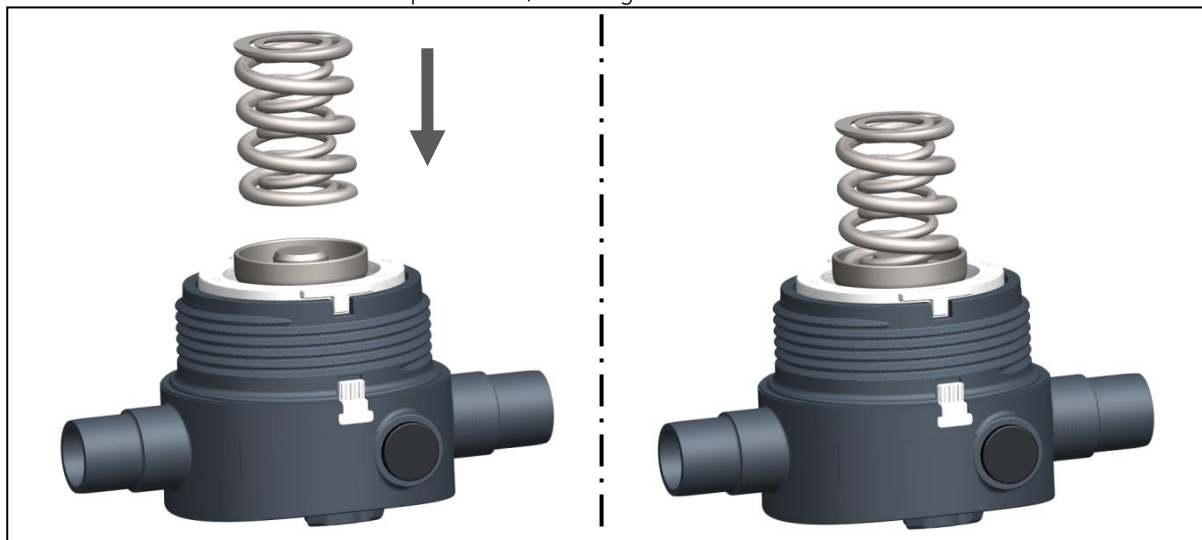


Fig. 15

- Placer la tête sur la partie inférieure.
- Fixer la partie inférieure et la serrer à +20° jusqu'au marquage / l'ancienne étiquette d'inviolabilité (voir chapitre 11.1.1) :

DN 10/15	DN 20/25	DN 32/40/50
50 Nm	70 Nm	120 Nm

- Contrôle d'écart entre la tête et la partie inférieure.

DN 10/15	DN 20/25	DN 32/40/50
0,5 mm	0,6 mm	0,9 mm

- Monter la soupape dans la conduite, voir le [chapitre 9 « Installation »](#)
- Fixer le pivot à l'aide d'une clé mâle pour vis à six pans creux et serre en même temps le contre-écrou au moyen d'un outil adapté, voir Fig. 6.
- Régler la pression de service, voir le [chapitre 10.2 « Régler la pression de service »](#)

11.2 Nettoyer le boîtier interne

- ▶ Démontage, voir le [chapitre 11.1.1 « Démontage »](#)
- ▶ Contrôler et nettoyer la zone du joint de siège, voir Fig. 16.

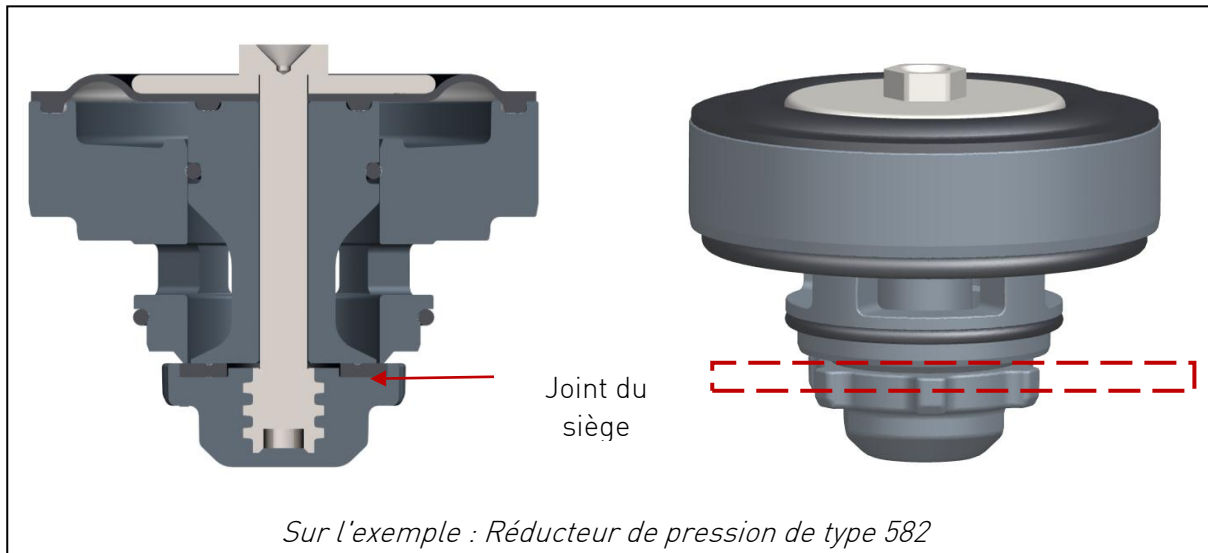


Fig. 16

- ▶ Nettoyer les orifices du boîtier interne, voir Fig. 17

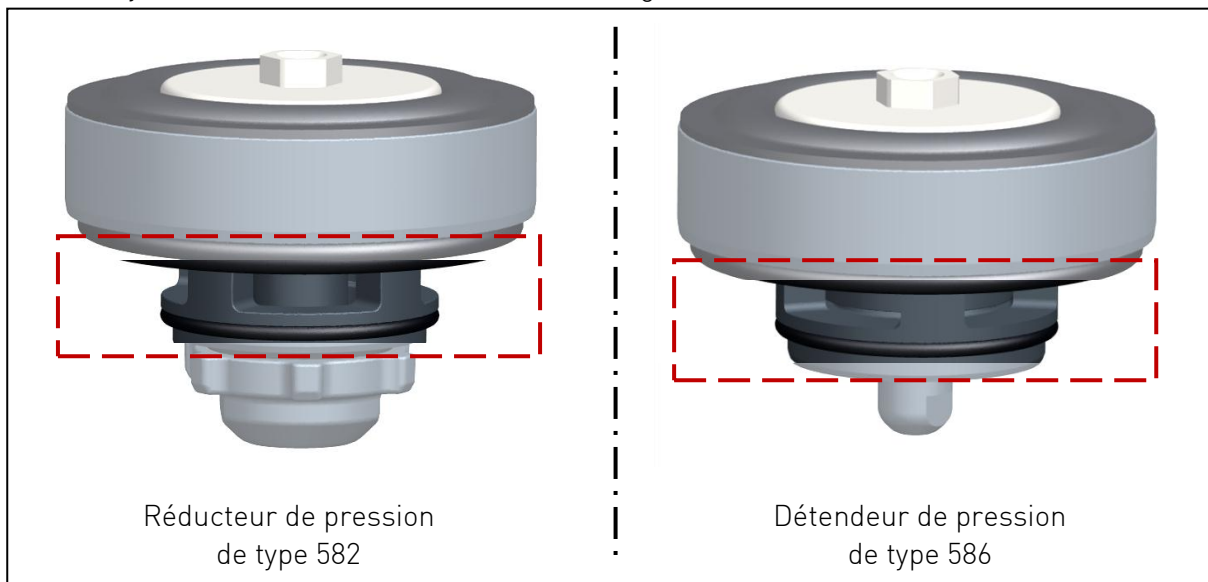


Fig. 17

12 Élimination des défauts

Défaut	Cause possible	Élimination du défaut
Fuite sur le tuyau	Joints non étanches	Vérifier le collage ou soudage et corriger si nécessaire Vérifier les joints et les remplacer si nécessaire
Fuite entre la tête et la partie inférieure	Anneau de blocage mal positionné	Placer l'anneau de blocage de sorte que les deux ergots de l'anneau de blocage soient logés dans les encoches de la partie inférieure
	Tête desserrée	Resserrer la tête
Fuite au niveau de la tête	Vis de piston desserrée	Resserrer la vis de piston
	Membrane endommagée	Remplacer la membrane, voir le chapitre 11
	Organe de commande (membrane, piston, éléments d'étanchéité) est défectueux	Remplacer la cartouche
La valeur de consigne n'est pas atteinte (valable uniquement pour le réducteur de pression de type 582)	Un corps étranger est coincé et empêche la fermeture étanche	Tendre le ressort pour que la soupape s'ouvre et que le corps étranger soit emporté (attention : augmentation de la pression)
	Pièces de fonctionnement salies	Nettoyer le réducteur de pression de type 582, voir le chapitre 11.2
Inertie trop importante, la valeur de consigne n'est pas atteinte	La soupape choisie est trop petite	Vérifier le dimensionnement (valeur kvs) de la soupape
La soupape ne réagit pas à l'air comprimé	La soupape n'est pas conçue pour fonctionner avec de l'air comprimé et ne présente donc aucun raccord pour air comprimé	Éliminer l'air comprimé et choisir une autre vanne (par ex. une vanne à membrane pneumatique) pour l'application envisagée

Défaut	Cause possible	Élimination du défaut
Émissions sonores importantes	La soupape choisie est trop grande. La soupape ne s'ouvre que de façon minimale, des vibrations se produisent	Vérifier le dimensionnement (valeur kvs) de la soupape
	La soupape choisie est trop petite. La vitesse d'écoulement dans la soupape est alors excessive	Vérifier le dimensionnement (valeur kvs) de la soupape
Endommagement excessif du réducteur de pression de type 582 / détendeur de pression de type 586	Salissure du fluide, dépôts corrosifs ou corps étrangers.	Monter un filtre à tamis
Le manomètre n'indique rien	Manomètre défectueux	Remplacer le manomètre
	De l'agent tampon s'est échappé de l'adaptateur de manomètre	Vérifier l'adaptateur de manomètre et le remplacer si nécessaire
Le manomètre est bloqué sur une valeur constante	Manomètre défectueux	Remplacer le manomètre
	Orifices de la cartouche obstrués	Nettoyer la cartouche, voir le chapitre 11.2 « Nettoyer le boîtier interne »
La tête ne peut pas être vissée sur la partie inférieure	<p>Le ressort n'est pas hors contrainte</p> <p>La coupelle du ressort n'est pas en butée, voir Fig. 18</p> <div data-bbox="667 1563 900 1890" data-label="Image"> </div> <p data-bbox="595 1912 687 1951">Fig. 18</p>	<p>Visser la coupelle du ressort jusqu'en position de butée, voir Fig. 19</p> <div data-bbox="1066 1563 1315 1890" data-label="Image"> </div> <p data-bbox="1002 1912 1094 1951">Fig. 19</p>

13 Pièces de rechange

Commander les pièces de rechange de la manière suivante :

- ▶ Identifier le type de la soupape et la matériau d'étanchéité à l'aide de l'élément crémaillère, voir le chapitre 6.1 Matériau d'étanchéité.
- ▶ Lire la valeur DN sur la partie inférieure.
- ▶ Lire la désignation de la pièce de rechange, voir les chapitres 4.1 et 4.2.
- ▶ Envoyer la commande avec ces données et la quantité requise à votre représentant GF Piping System.

14 Accessoires

Désignation	Référence		
	DN 10/15	DN 20/25	DN 32/40/50
Clé à griffe	198 806 451	198 806 452	198 806 453
Adaptateur de manomètre	198 806 650		
Manomètre laiton	198 806 651		
Manomètre acier inoxydable	198 806 652		
Bouchon d'étanchéité pour manomètre	198 806 653		

15 Élimination

- ▶ Avant l'élimination, trier les différents matériaux et séparer les matériaux recyclables, les déchets normaux et les déchets spéciaux.
- ▶ En cas d'élimination ou de recyclage du produit, des composants individuels et de l'emballage, respecter les dispositions légales et décrets en vigueur.
- ▶ Respecter les prescriptions, normes et directives nationales spécifiques.

**AVERTISSEMENT**

Les pièces du produit peuvent être contaminées avec des fluides nocifs pour la santé et pour l'environnement, de sorte qu'un simple nettoyage n'est pas suffisant !

Risque de dégâts personnels et environnementaux dus à ces substances.

Avant l'élimination du produit :

- ▶ Collecter les fluides qui s'écoulent et les éliminer conformément aux dispositions locales. Consulter la fiche technique de sécurité.
- ▶ Neutraliser les éventuels résidus de fluide sur le produit.
- ▶ Trier les différents matériaux (plastiques, métaux, etc.) et les éliminer conformément aux dispositions locales.

En cas de questions relatives à la mise au rebut du produit, adressez-vous à la représentation nationale de GF Piping Systems.

16 Déclaration CE du fabricant

Le fabricant Georg Fischer Systèmes de Tuyauteries SA, 8201 Schaffhouse (Suisse), déclare que les régulateurs de pression, par l'exclusion de leur emploi pour des fluides dangereux, inflammables et gazeux, en raison de leur diamètre nominal et de leur classe de pression, ne font pas partie du domaine d'application de la directive 97/23/CE sur les appareils sous pression.

Toute modification apportée au régulateur de pression qui affecte les caractéristiques techniques indiquées et l'usage conforme du produit invalide cette déclaration du fabricant.

Nom : Antonio De Agostini

Fonction : R&D Manager Georg Fischer Piping Systems

Date : 20/02/2014

Traducción del manual original

Exoneración de responsabilidad

Los datos técnicos son sin compromiso. Estos no contienen ninguna promesa de propiedades. Salvo modificaciones. Son válidas nuestras Condiciones Generales de Venta.

Obsérvese el manual de instrucciones

El manual de instrucciones forma parte del producto y es un elemento importante del concepto de seguridad.

- ▶ Lea y tenga en cuenta el manual de instrucciones.
- ▶ Guarde el manual de instrucciones junto con el producto de manera que esté siempre disponible.
- ▶ Entregue el manual de instrucciones en caso de transmitir el producto a otros usuarios.




Índice

Índice.....	74
1 Acerca de este documento.....	75
1.1 Advertencias.....	75
1.2 Otros símbolos y señalizaciones.....	75
1.3 Documentación complementaria.....	75
2 Seguridad y responsabilidad.....	76
2.1 Uso conforme a lo dispuesto.....	76
2.2 Advertencias de seguridad.....	76
3 Transporte y almacenamiento.....	76
4 Estructura.....	77
4.1 Válvula reductora de presión.....	77
4.2 Válvula de retención de presión.....	78
4.3 Manómetro.....	79
5 Función.....	79
5.1 Válvula reductora de presión.....	79
5.2 Válvula de retención de presión.....	79
6 Identificación.....	80
6.1 Tipo de válvula/Material de obturación (juntas tóricas).....	80
7 Especificaciones técnicas.....	80
8 Herramientas necesarias.....	81
9 Instalación.....	81
10 Puesta en funcionamiento.....	84
10.1 Prueba de presión.....	84
10.2 Ajustar la presión de funcionamiento.....	84
11 Mantenimiento.....	86
11.1 Cambiar la membrana y la junta tórica.....	87
11.1.1 Desmontaje.....	87
11.1.2 Ensamblaje.....	89
11.2 Limpiar la carcasa interior.....	91
12 Solución de problemas.....	92
13 Piezas de repuesto.....	94
14 Accesorios.....	94
15 Eliminación.....	94
16 Declaración del fabricante CE.....	95



1 Acerca de este documento

1.1 Advertencias

En este manual se utilizan advertencias sobre peligros mortales, lesiones, o daños materiales. ¡Lea y tenga en cuenta siempre estas advertencias!

Símbolo de advertencia	Significado
 PELIGRO	¡Peligro inminente! Peligro mortal o lesiones de máxima gravedad en caso de inobservancia. ► Medidas para evitar el peligro.
 ADVERTENCIA	¡Posible peligro! Peligro de sufrir lesiones severas en caso de inobservancia. ► Medidas para evitar el peligro.
 PRECAUCIÓN	¡Situación peligrosa! Peligro de sufrir lesiones leves en caso de inobservancia. ► Medidas para evitar el peligro.
ATENCIÓN	¡Situación peligrosa! Peligro de daños materiales en caso de inobservancia. ► Medidas para evitar el peligro.

1.2 Otros símbolos y señalizaciones

Símbolo	Significado
	Observaciones: contienen información de especial importancia para la comprensión.
	Requerimiento de actuación: aquí se requiere una acción por su parte.
1.	Llamada a la acción en un orden determinado: aquí se requiere una acción por su parte.

1.3 Documentación complementaria

- Fundamentos de planificación industrial de Georg Fischer

Estos documentos están disponibles en su filial de GF Piping Systems o en www.gfps.com.

2 Seguridad y responsabilidad

2.1 Uso conforme a lo dispuesto

Las válvulas reductoras de presión tipo 582 y las válvulas de retención de presión tipo 586 están diseñadas para ser utilizadas con medios líquidos puros y no abrasivos. El producto y todos sus componentes están diseñados para ser utilizados dentro de los límites permitidos de presión y temperatura y de su estabilidad química.

Válvula reductora de presión tipo 582

Las válvulas reductoras de presión tipo 582 están diseñadas para, después del montaje en un sistema de tuberías, reducir la presión del sistema y mantenerla en gran parte constante con un valor predeterminado.

Válvula de retención de presión tipo 586

Las válvulas de retención de presión tipo 586 están diseñadas para, después del montaje en un sistema de tuberías, mantener la presión del sistema y mantenerla en gran parte constante con un valor predeterminado.

Aplicaciones incorrectas previsibles

Las válvulas reductoras de presión tipo 582 y las válvulas de retención de presión tipo 586 **no** están diseñadas para ser utilizadas como órganos de cierre.

Las válvulas reductoras de presión tipo 582 y las válvulas de retención de presión tipo 586 **no** están diseñadas para ser utilizadas con gases ni otros fluidos comprimibles.

2.2 Advertencias de seguridad

Para garantizar la seguridad durante el funcionamiento, el operario es responsable de aplicar las siguientes medidas:

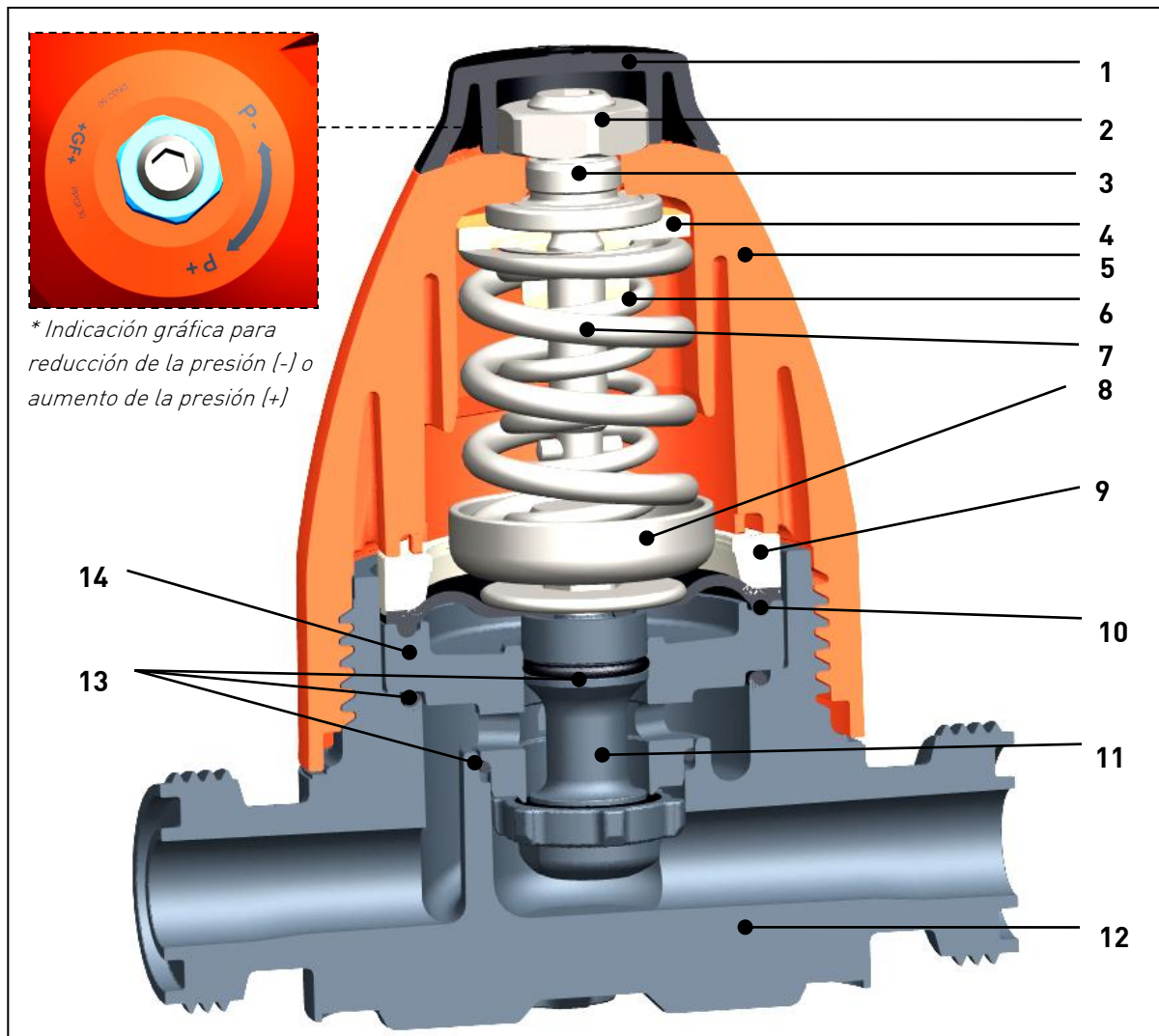
- ▶ Utilizar el producto exclusivamente conforme a lo dispuesto, ver el apartado "Uso conforme a lo dispuesto".
- ▶ No utilizar ningún producto deteriorado o averiado. No utilizar el producto deteriorado.
- ▶ Asegurarse de que el sistema de tuberías se instala por un profesional y se inspecciona con regularidad.
- ▶ Encomendar el montaje del producto y los accesorios únicamente a personas con la formación, los conocimientos o la experiencia necesarios.
- ▶ Informar periódicamente al personal sobre todas las cuestiones relacionadas con la normativa local vigente de seguridad laboral y protección medioambiental, especialmente en lo relativo a tuberías a presión.

3 Transporte y almacenamiento

- ▶ Durante el transporte, proteger el producto de fuerzas externas (impactos, golpes, vibraciones, etc.).
- ▶ Transporte y/o almacene el producto en el embalaje original cerrado.
- ▶ Proteja el producto del polvo, la suciedad, la humedad y la radiación térmica y ultravioleta.
- ▶ Asegúrese de que el producto no haya sufrido daños a consecuencia de influencias mecánicas o térmicas.
- ▶ Compruebe que el producto no ha sufrido daños durante el transporte antes de montarlo.

4 Estructura

4.1 Válvula reductora de presión

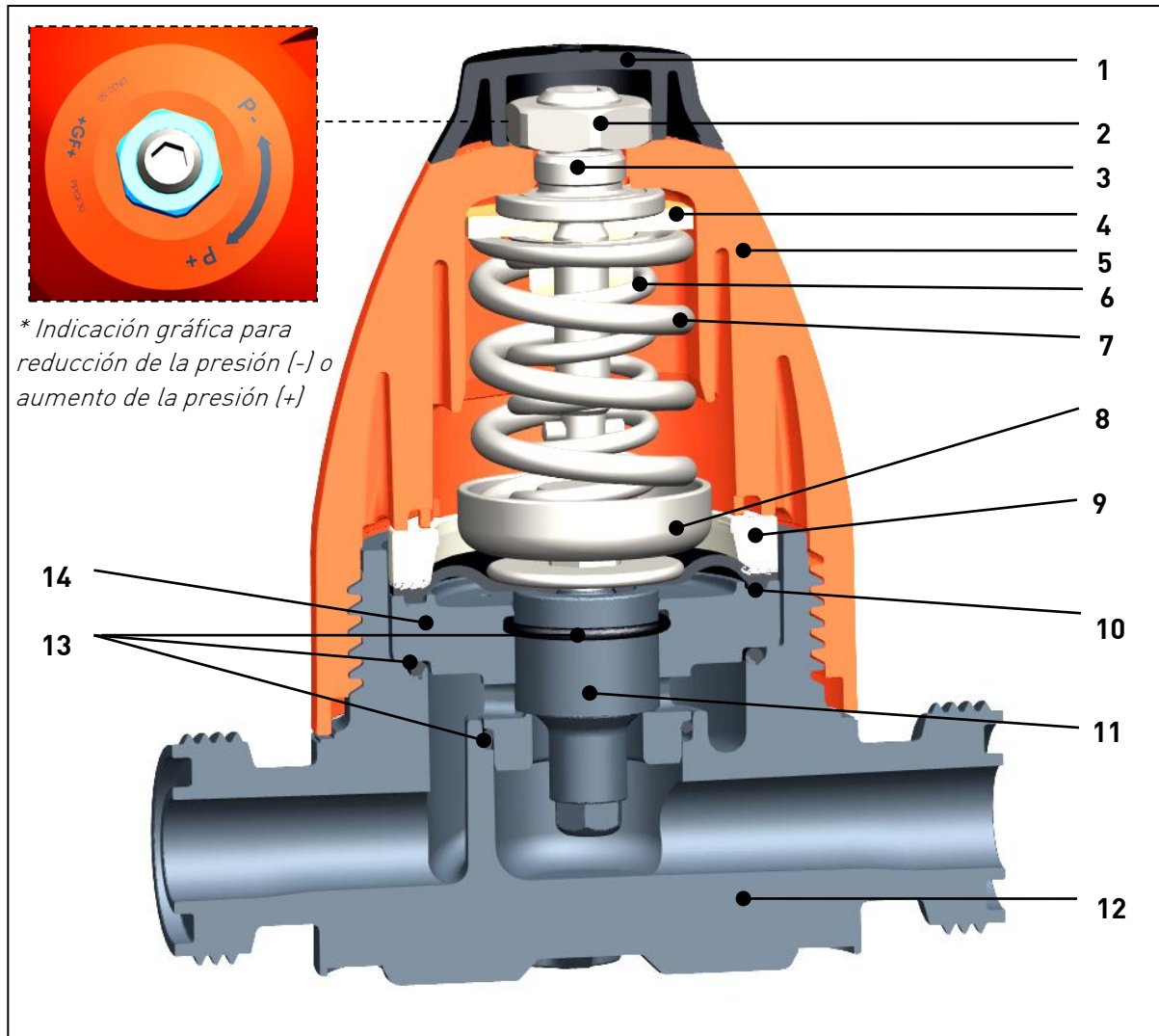


1	Tapa	8	Pieza de compresión
2	Tuerca de bloqueo	9	Anillo de retención
3	Husillo/tornillo de ajuste	10	Membrana
4	Soporte de resorte	11	Pistón
5	Ensamblaje superior *	12	Pieza de base
6	Resorte interior	13	Juntas tóricas
7	Resorte exterior	14	Carcasa interior



El cartucho se compone de membrana, juntas tóricas, arandela de membrana, carcasa interior y pistón.

4.2 Válvula de retención de presión

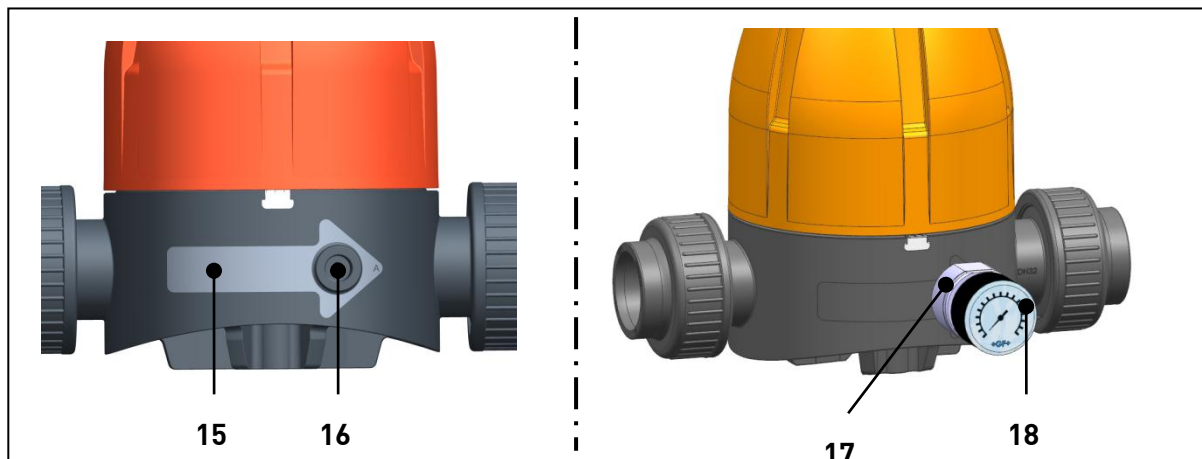


1	Tapa	8	Pieza de compresión
2	Tuerca de bloqueo	9	Anillo de retención
3	Husillo/tornillo de ajuste	10	Membrana
4	Soporte de resorte	11	Pistón
5	Ensamblaje superior *	12	Pieza de base
6	Resorte interior	13	Juntas tóricas
7	Resorte exterior	14	Carcasa interior



El cartucho se compone de membrana, juntas tóricas, arandela de membrana, carcasa interior y pistón.

4.3 Manómetro



15	Marca del sentido del flujo	17	Adaptador de manómetro [opcional]
16	Manguito para manómetro	18	Manómetro



Si la válvula reductora de presión tipo 582/válvula de retención de presión tipo 586 es una versión con manómetro, éste ya está montado de fábrica.

5 Función

5.1 Válvula reductora de presión

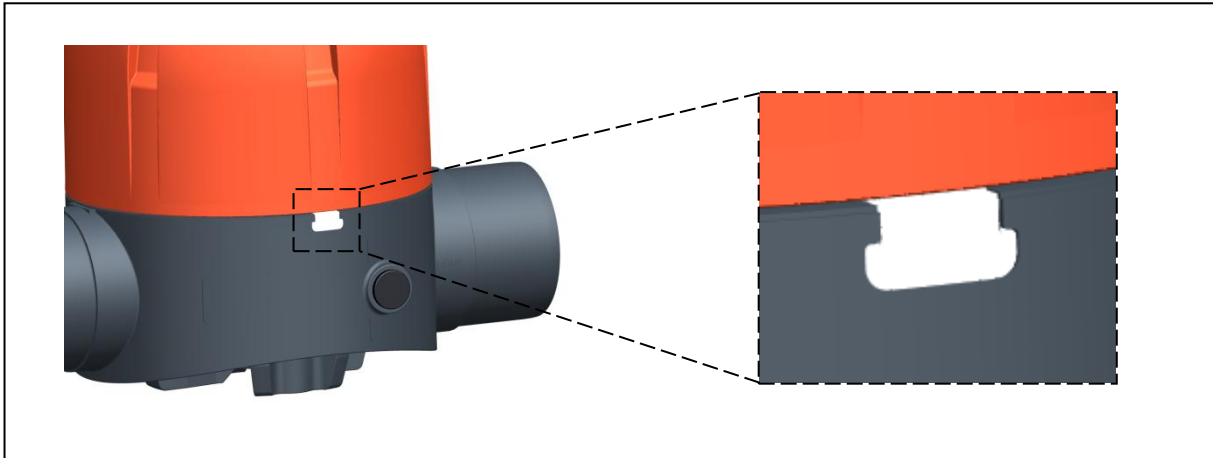
La presión en el lado de salida de la válvula actúa en los resortes de ajuste a través de la membrana. A través de la pretensión del resorte, que se ajusta en la válvula por medio del tornillo de ajuste, se genera un equilibrio de fuerzas. Si la presión de salida aumenta por encima del valor predeterminado, el pistón se elevará contra la resistencia del resorte. La válvula se cierra, la presión de salida se reduce. Si la presión de salida desciende por debajo del valor, el pistón es empujado hacia abajo por la resistencia del resorte. La válvula empieza a abrirse hasta que se vuelve a alcanzar el estado de equilibrio. Independientemente de una presión de entrada ascendente o descendente, la presión de salida permanece en gran parte constante, puesto que no está en proporción directa con la presión de entrada.

5.2 Válvula de retención de presión

Mediante la resistencia del resorte ajustable se regula la presión deseada en la alimentación de válvula. Si la presión de entrada aumenta por encima del valor ajustado, p. ej. a causa de una capacidad de bomba demasiado elevada, el pistón de la válvula se elevará contra la resistencia del resorte. Después la válvula se abre y tiene lugar una reducción de la presión en el conducto de salida. Si la presión desciende en la alimentación de válvula, la resistencia del resorte empuja el pistón en dirección del asiento de válvula hacia abajo y se cierra en cuanto la presión de entrada es menor que la pretensión de resorte ajustada. De este modo se garantiza una presión constante en el conducto de entrada.

6 Identificación

6.1 Tipo de válvula/Material de obturación (juntas tóricas)



Tipo de válvula	Material de obturación	Color de la placa divisora
Válvula reductora de presión tipo 582	EPDM	blanco
Válvula reductora de presión tipo 582	FPM	verde
Válvula de retención de presión tipo 586	EPDM	negro
Válvula de retención de presión tipo 586	FPM	rojo

7 Especificaciones técnicas

Dimensiones	DN 10-50 (3/8" – 2")
Materiales	UPVC, CPVC, HPP, PVDF
Membrana	EPDM/PTFE
Juntas	EPDM, FPM
Conexiones	Racores, piezas de tope macho
Etapas de presión (presión nominal)	PN 10
Márgenes de presión de ajuste	0,5 – 9 bar/opcionalmente 0,3 – 3 bar (7 – 130 psi/opcionalmente 4 – 44 psi)
Histéresis	Máx. 0,5 bar (máx. 6 psi)
Diferencia de presión	Diferencia entre presión de entrada y presión de salida: mín. 1 bar

8 Herramientas necesarias

Herramienta	DN 10/15	DN 20/25	DN 32/40/50
Llave Allen	SW 6	SW 8	SW 10
Llave de boca	SW 19	SW 24	SW 30
Llave de gancho o llave de correa	80-90 mm	95-100 mm	135-145 mm
Destornillador	Tamaño 1		
Dispositivo de fijación, p. ej. tornillo de banco	ninguna diferencia		

9 Instalación



ADVERTENCIA – SOLO PARA VERSIÓN CON MANÓMETRO

¡Peligro de lesiones y/o daños materiales a causa de modificaciones en el manómetro! Válido para versiones con y sin adaptador.

- ▶ El manómetro está instalado, preajustado y probado de fábrica. Por ello es necesario asegurarse de que no se realizan modificaciones en el manómetro.

Los cuerpos de válvula son adecuados para distintas variantes de conexión:



Conexión: montable y desmontable radialmente



Conexión: variante de manguito



Las válvulas reductoras de presión tipo 582/válvulas de retención de presión tipo 586 se entregan con el resorte destensado.

- ▶ Asegurarse de que la válvula reductora de presión tipo 582/válvula de retención de presión tipo 586 es adecuada para las condiciones de funcionamiento, ver la placa de identificación.
- ▶ Antes de la instalación, comprobar que no haya daños en la válvula reductora de presión tipo 582/válvula de retención de presión tipo 586. No utilizar ningún producto deteriorado o averiado.
- ▶ Asegurarse de que el montaje de la válvula reductora de presión tipo 582/válvula de retención de presión tipo 586 se realiza sin tensión.
- ▶ Para garantizar un flujo óptimo, asegurarse de que
 - la válvula reductora de presión tipo 582/válvula de retención de presión tipo 586 se instala en una sección de tubería favorable en cuanto a la circulación de fluidos y
 - los codos, puntos de estrangulamiento y órganos de cierre deben estar a una distancia mínima de $10 \times DN$ de la válvula reductora de presión tipo 582/válvula de retención de presión tipo 586.
- ▶ Observar la dirección del flujo, ver la flecha de dirección en la pieza de base (fig. 1)

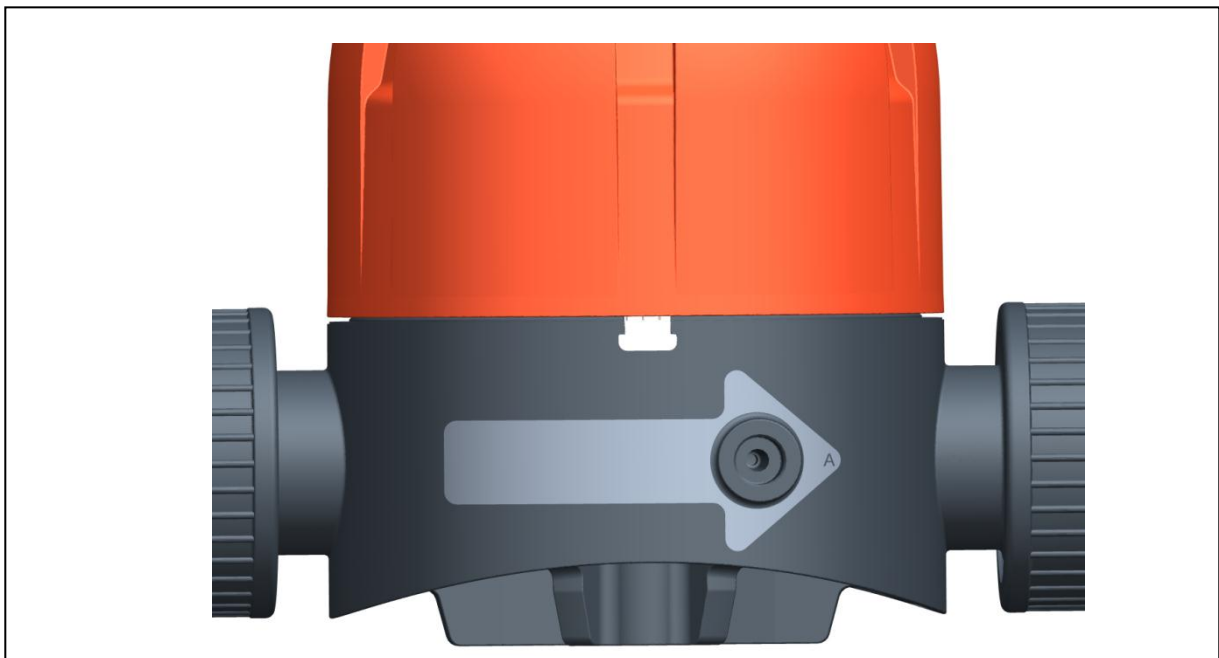


Fig. 1


- ▶ Observar las variantes de conexión, véanse las variantes "montable y desmontable radialmente" y "variante de manguito".

Variante "montable y desmontable radialmente":

- ▶ Aflojar las tuercas de acoplamiento y deslizarlas en los extremos de tubería previstos.
- ▶ Unir las piezas de conexión con los extremos de la tubería. Véanse las instrucciones para los distintos tipos de conexión en los fundamentos de planificación.
- ▶ Colocar la válvula reductora de presión tipo 582/válvula de retención de presión tipo 586 entre las piezas de conexión.
- ▶ Apretar las tuercas de acoplamiento a mano.

"Variante de manguito":

- ▶ En caso de adaptación a la variante de brida, observar los pares de apriete de las bridas, véanse los "Fundamentos de planificación Georg Fischer".

 *Para proteger la válvula reductora de presión tipo 582/válvula de retención de presión tipo 586 de la suciedad y el desgaste prematuro a causa de la erosión, se recomienda montar un colador en el lado de entrada de la válvula.*

Unión pegada

- ▶ Unir entre sí únicamente materiales idénticos.
- ▶ Una vez transcurrido el tiempo de secado de la unión, enjuagar la sección de tubería lo más rápido posible con agua sin presión, ver capítulo "Técnicas de soldadura" en los "Fundamentos de planificación Georg Fischer"

Unión soldada

- ▶ Unir entre sí únicamente materiales idénticos, ver capítulo "Técnicas de soldadura" en los "Fundamentos de planificación Georg Fischer".

10 Puesta en funcionamiento

10.1 Prueba de presión

- ▶ Asegurarse de que la presión de prueba no excede 1,1 veces la presión trasera máxima ajustada.

10.2 Ajustar la presión de funcionamiento

- ▶ Retirar la tapa del ensamblaje superior, ver la fig. 2. Para ello meter un destornillador en la escotadura de la tapa.

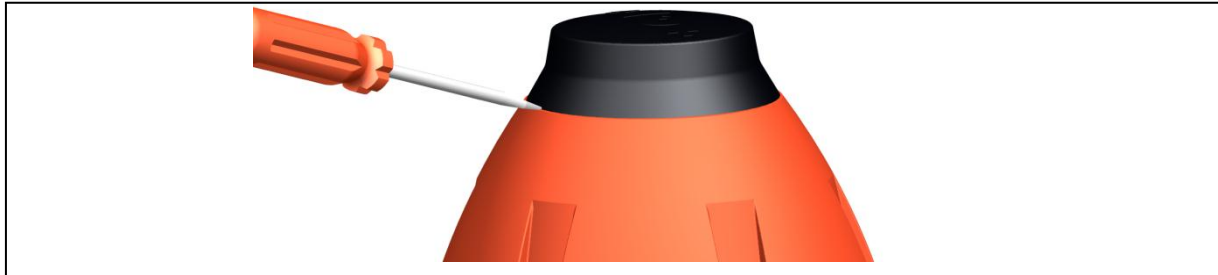


Fig. 2

- ▶ Aflojar la tuerca de bloqueo, ver la fig. 3

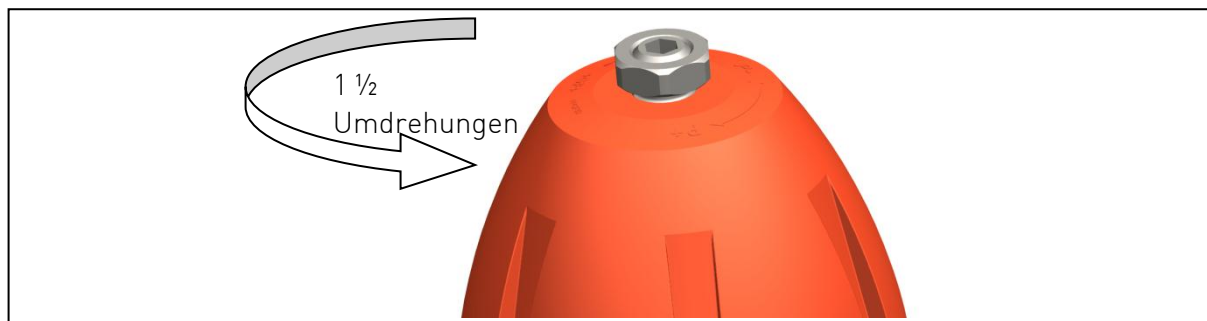


Fig. 3

- ▶ Para aumentar el valor de consigna: tensar el resorte. Para ello, girar el husillo en el sentido de las agujas del reloj, ver la fig. 4

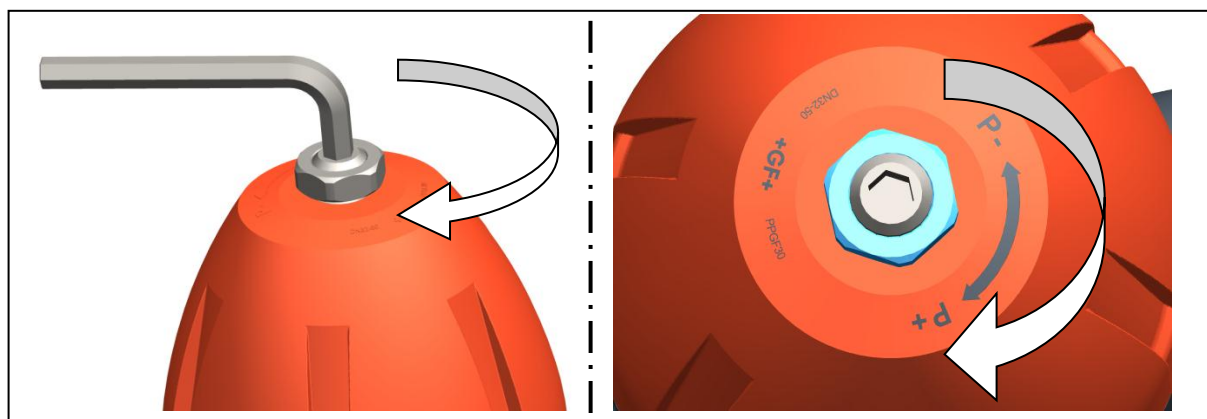


Fig. 4

- ▶ Para reducir el valor de consigna: destensar el resorte. Para ello, girar el husillo en el sentido contrario al de las agujas del reloj, ver la fig. 5

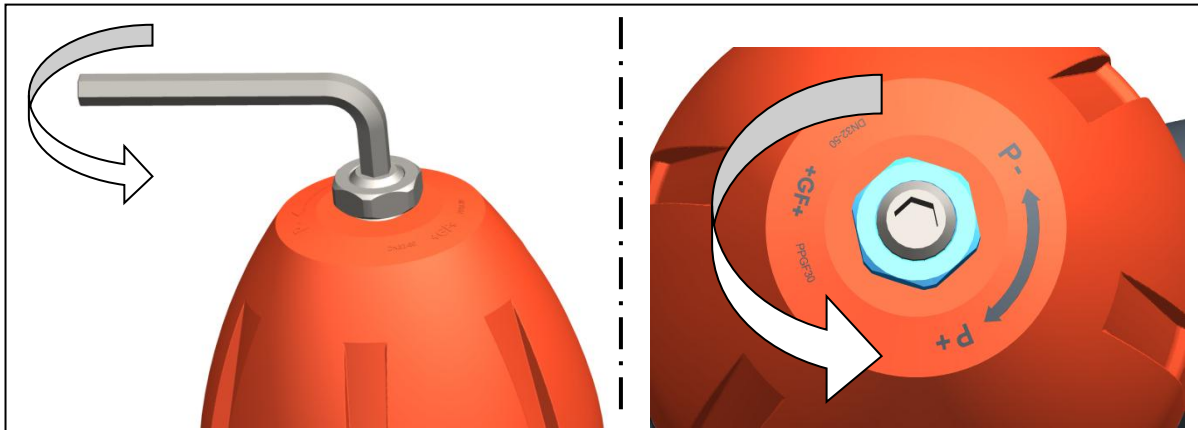


Fig. 5

- ▶ Asegurarse de que el valor de consigna está ajustado. A tal fin, leer el valor de consigna en el manómetro o en el indicador correspondiente.



PRECAUCIÓN

Desajuste del valor de consigna de la válvula reductora de presión tipo 582/válvula de retención de presión tipo 586 debido a un apriete incorrecto.

- ▶ Fijar el husillo con una llave Allen y al mismo tiempo apretar las tuercas de bloqueo con la herramienta correspondiente, ver la fig. 6

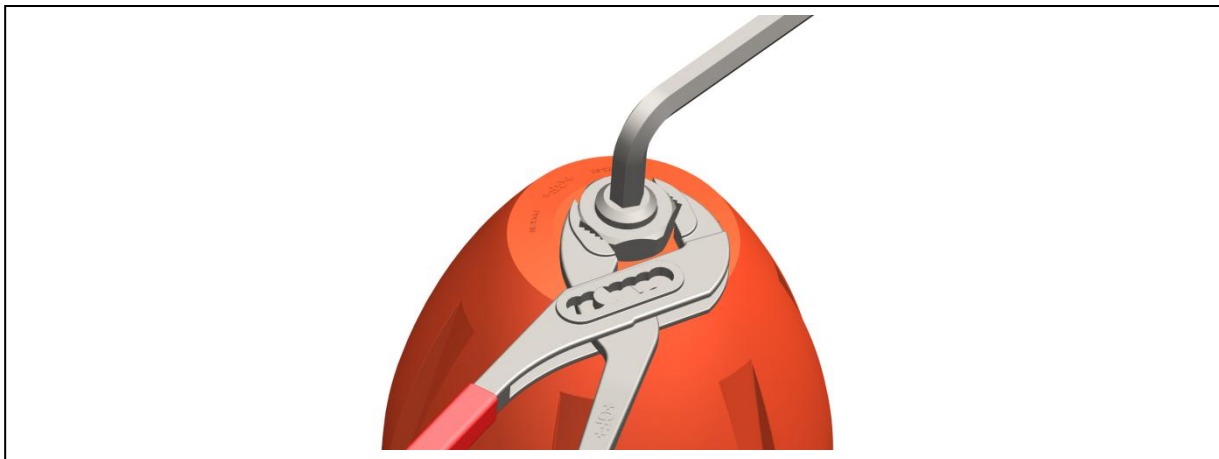


Fig. 6

- ▶ Colocar la tapa en el ensamblaje superior.

11 Mantenimiento



ADVERTENCIA

¡Peligro de sufrir lesiones debido a una desviación incontrolada del medio!

Si la presión no se ha cortado por completo, el medio podría desviarse de forma incontrolada.

- ▶ Antes de extracción/desmontaje/mantenimiento: eliminar la presión de la tubería por completo.
- ▶ En el caso de fluidos tóxicos, inflamables o explosivos vacíe completamente la tubería y límpiela antes de desmontarla. Fíjese en que no queden residuos.
- ▶ Recoja el medio de modo seguro aplicando las medidas correspondientes.



Apertura dificultosa a causa de resorte pretensado. Asegurarse de que el resorte está completamente destensado antes de abrir el ensamblaje superior. Para ello, girar el husillo en el sentido contrario al de las agujas del reloj (P) hasta la posición final.



PRECAUCIÓN

¡Peligro de lesiones y carencia de calidad del producto debido al uso de repuestos que no han sido proporcionados por GF Piping Systems!

- ▶ Utilizar exclusivamente los repuestos citados, ver capítulo "Lista de repuestos".

- ▶ Fijar los intervalos de mantenimiento conforme a las condiciones de utilización (p. ej. ciclos de posicionado, fluido, temperatura ambiente).
- ▶ En el marco de la inspección periódica de la instalación deben realizarse las siguientes operaciones de mantenimiento.

Intervalo de mantenimiento	Operación de mantenimiento
Periódicamente	▶ Comprobar que el elemento de junta, el pistón y la membrana funcionan correctamente y cambiarlos si es necesario.
Periódicamente	▶ Comprobar la estanqueidad de la carcasa, la conexión de tubería y la línea de mando.
Periódicamente	▶ Limpiar la carcasa interior

11.1 Cambiar la membrana y la junta tórica

- ▶ Extraer la válvula de la tubería y ponerla en posición horizontal.

11.1.1 Desmontaje

- ▶ Antes del desmontaje: marcar la posición del ensamblaje superior respecto a la pieza de base en la carcasa.
Retirar la tapa del ensamblaje superior, ver la fig. 2 Utilizar un destornillador para ello.
- ▶ Destensar el resorte. Para ello, girar el husillo en el sentido contrario al de las agujas del reloj (P) hasta la posición final.
- ▶ Fijar la pieza de base con una herramienta adecuada y aflojar el ensamblaje superior. Para ello, girar el ensamblaje superior en sentido contrario a las agujas del reloj, ver la fig. 7. Al hacerlo se romperá la etiqueta de sello.

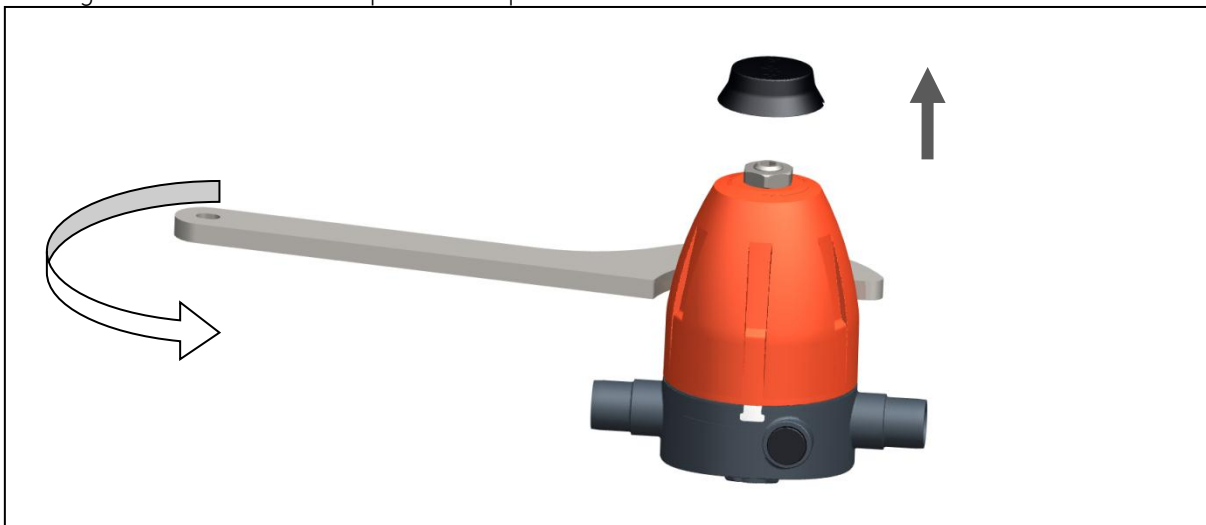


Fig. 7

- ▶ Retirar la pieza de compresión, los resortes y el anillo de retención, ver la fig. 8

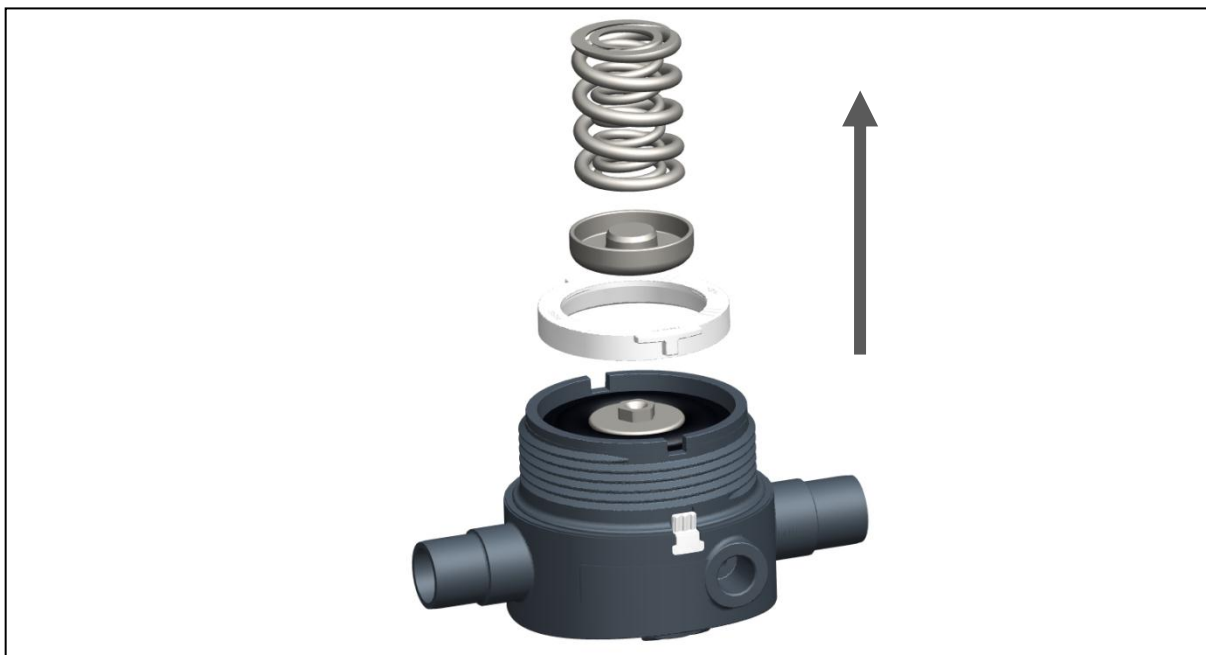


Fig. 8

- ▶ Retirar el cartucho de la pieza de base con una herramienta adecuada (p. ej. unas tenazas), ver la fig. 9

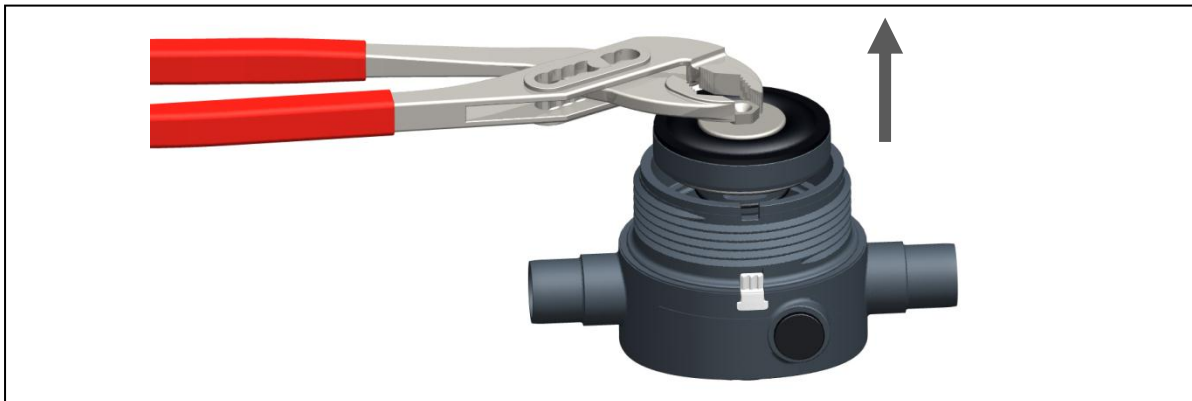


Fig. 9

- ▶ Retirar 2 juntas tóricas de la pieza de base, ver la fig. 10

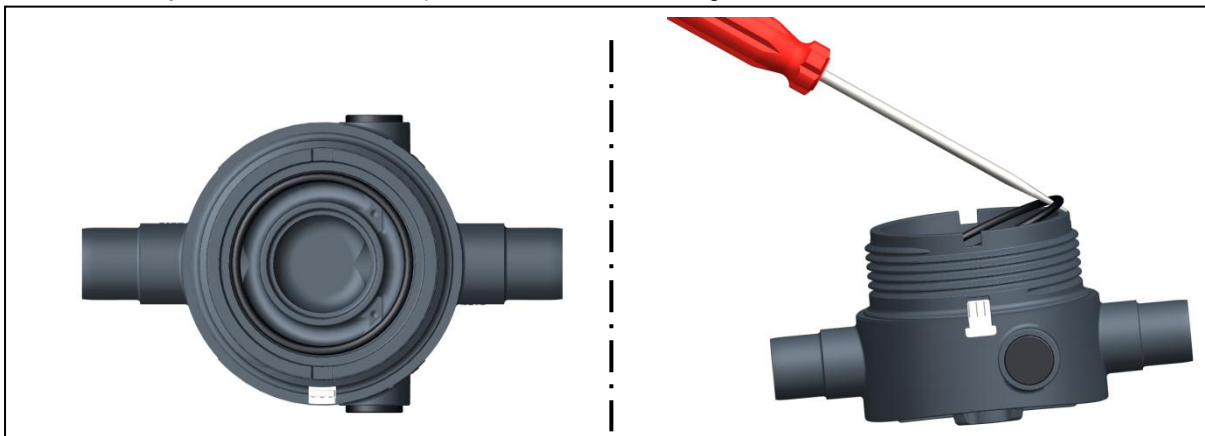


Fig. 10

- ▶ Para cambiar la membrana: sustituir el cartucho, ver [Capítulo "Piezas de repuesto"](#)

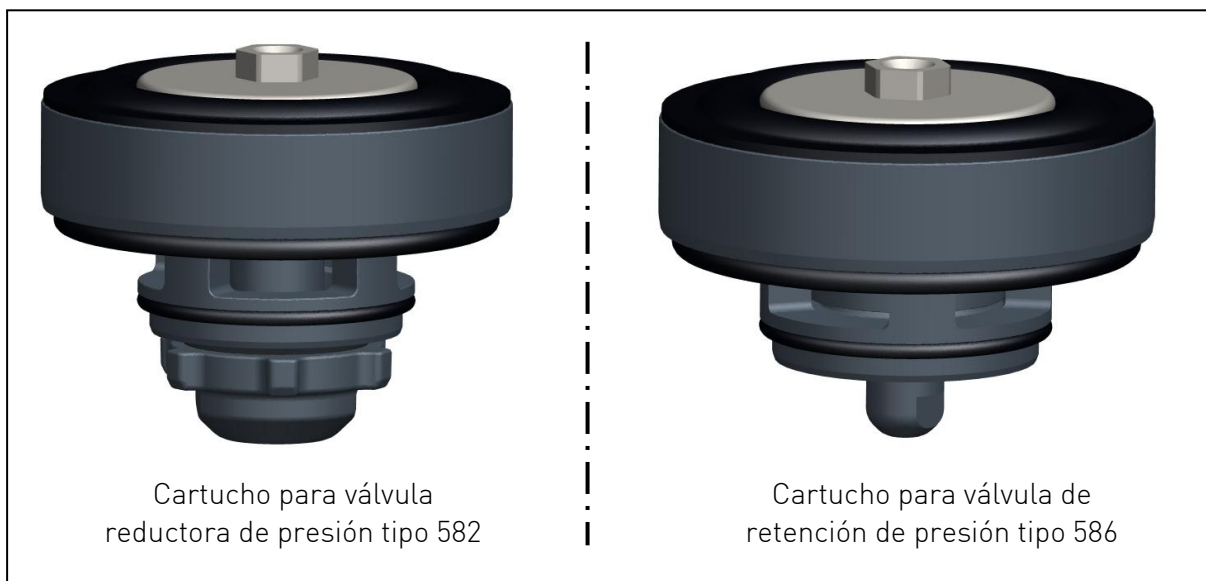


Fig. 11

11.1.2 Ensamblaje

- ▶ Asegúrese de que 2 juntas tóricas están correctamente alojadas en la pieza de base.
- ▶ Colocar el cartucho en la pieza de base y empujarlo, ver la fig. 12
- ▶ Sustituir la placa divisora en tipo de válvula o cambio de elastómero

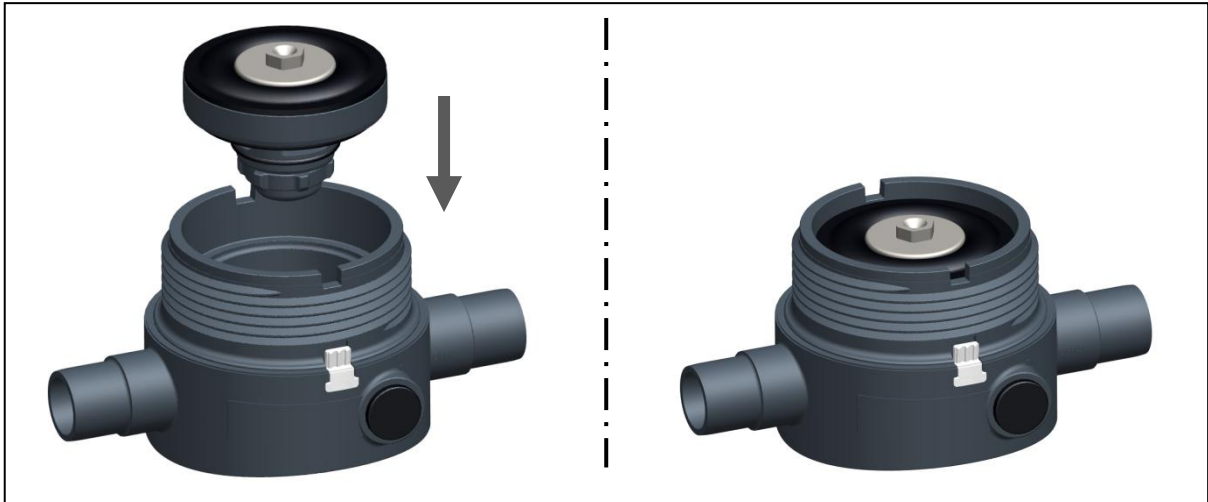


Fig. 12

- ▶ Posicionar el anillo de retención. Al hacerlo, asegurarse de que las dos pestañas del anillo de retención están dentro de las entalladuras de la pieza de base, ver la fig. 13

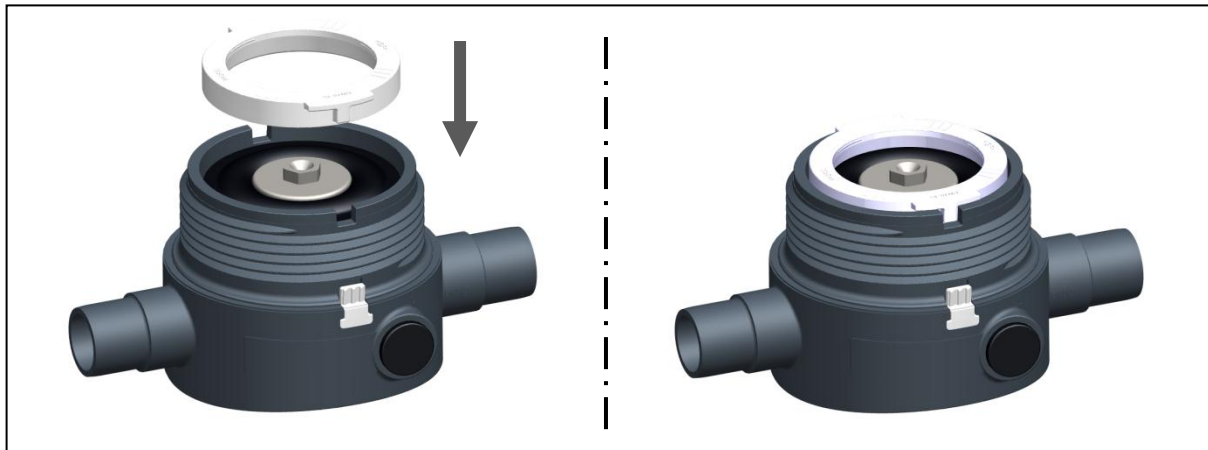


Fig. 13

- ▶ Colocar la pieza de compresión sobre el cartucho, ver la fig. 14

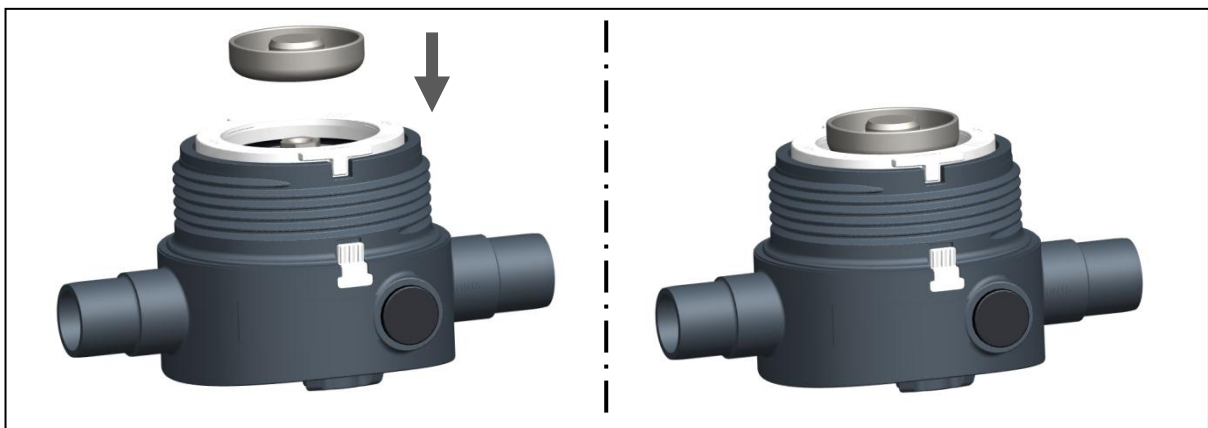


Fig. 14

- ▶ Colocar los resortes sobre la pieza de compresión, ver la fig. 15

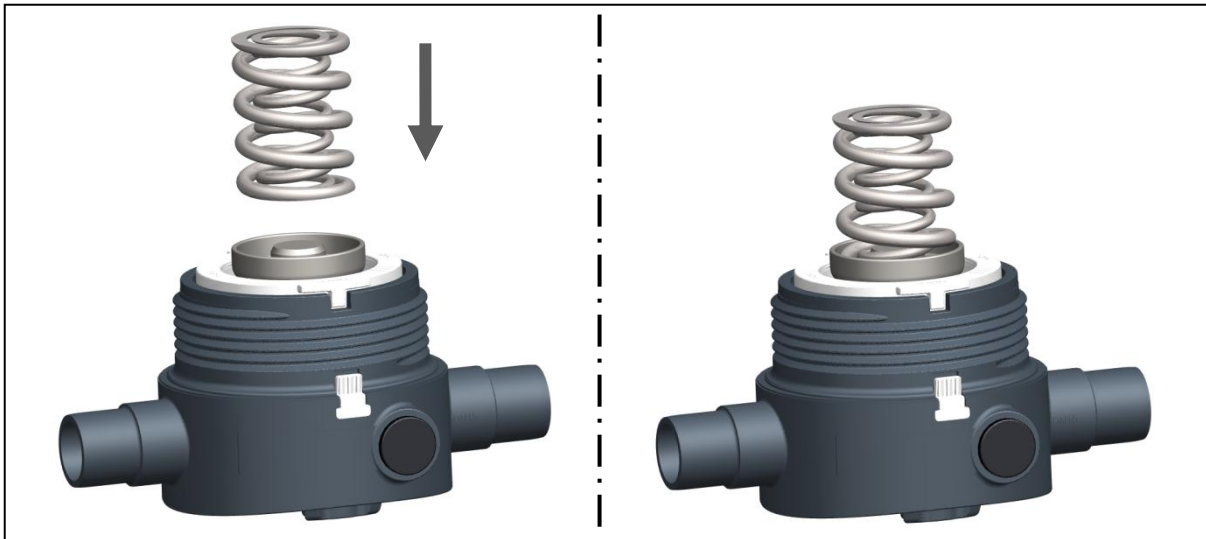


Fig. 15

- ▶ Colocar el ensamblaje superior sobre la pieza de base.
- ▶ Fijar la pieza de base y apretarla +20° hasta la marca/antigua etiqueta de sello (ver capítulo 11.1.1):

DN 10/15	DN 20/25	DN 32/40/50
50Nm	70Nm	120Nm

- ▶ Control de espacio libre entre el ensamblaje superior y la pieza de base

DN 10/15	DN 20/25	DN 32/40/50
0.5 mm	0.6 mm	0.9 mm

- ▶ Ensamblar la válvula en la tubería, ver [Capítulo 9 „Instalación”](#)
- ▶ Fijar el husillo con una llave Allen y al mismo tiempo apretar las tuercas de bloqueo con la herramienta correspondiente.
- ▶ Ajustar la presión de funcionamiento, ver [Capítulo 10.2 "Ajustar la presión de funcionamiento"](#)

11.2 Limpiar la carcasa interior

- ▶ Desmontaje, ver [Captulo 11.1.1 "Desmontaje"](#)
- ▶ Controlar y limpiar la zona de la junta de asiento, ver la fig. 16

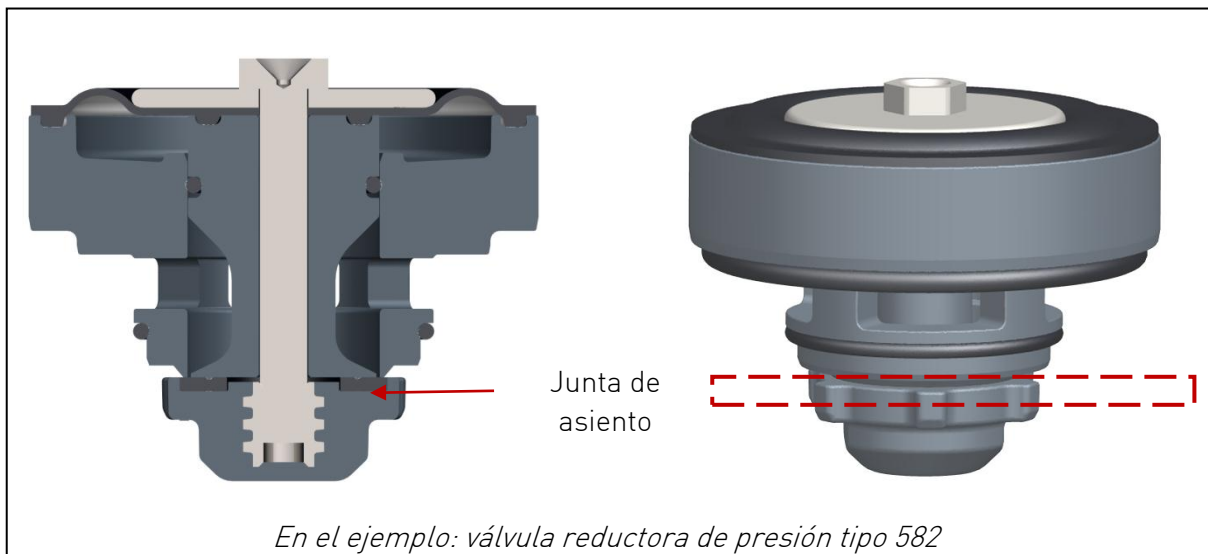


Fig. 16

- ▶ Limpiar las perforaciones de la carcasa interior, ver la fig. 17

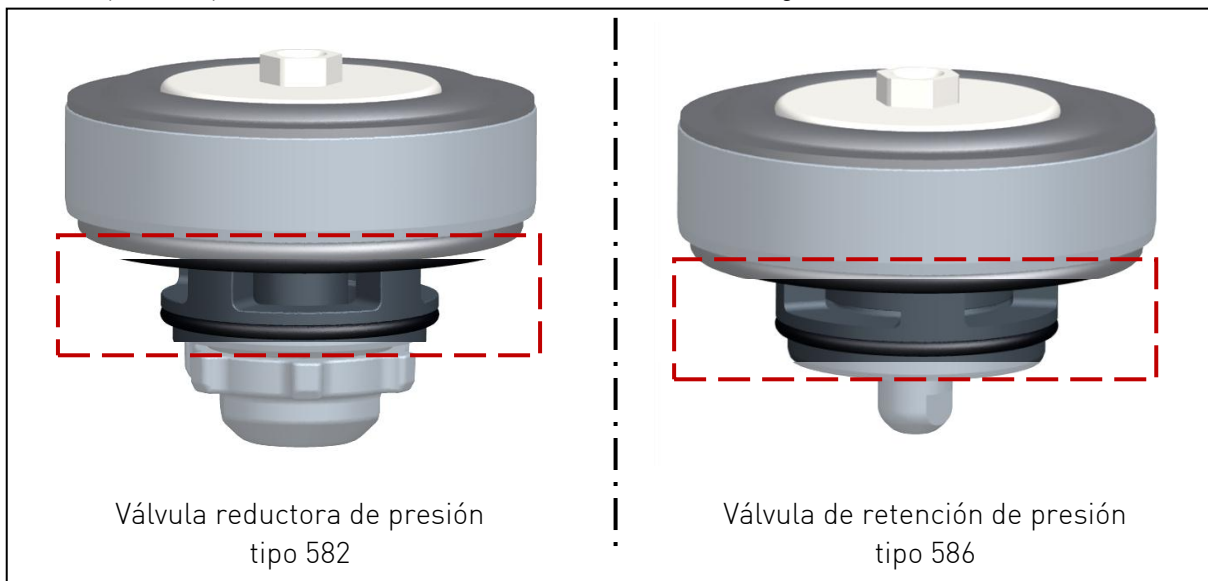


Fig. 17

12 Solución de problemas

Avería	Causa posible	Eliminación del fallo
Fuga en la tubería	Uniones no estancas	Comprobar la unión o la soldadura y retocar si es necesario Comprobar las juntas y sustituirlas si es necesario
Fuga entre el ensamblaje superior y la pieza de base	El anillo de retención no está colocado correctamente	Posicionar el anillo de retención de manera que las dos pestañas del anillo de retención están dentro de las entalladuras de la pieza de base
	Ensamblaje superior suelto	Volver a apretar la parte superior
Fuga en el ensamblaje superior	Tornillo del pistón suelto	Volver a apretar el tornillo del pistón
	Membrana deteriorada	Sustituir la membrana, ver capítulo 11
	Órgano de mando (membrana, pistón, elementos de junta) defectuoso	Sustituir el cartucho.
Valor de consigna no alcanzado (no es válido para la válvula reductora de presión tipo 582)	Cuerpo extraño aprisionado que impide el cierre hermético	Tensar el resorte para que la válvula se abra y se expulse el cuerpo extraño con descarga de agua (atención: aumento de la presión)
	Piezas funcionales sucias	Limpiar la válvula reductora de presión tipo 582, ver capítulo 11.2
Inercia demasiado elevada, no se alcanza el valor de consigna	Dimensionamiento de válvula demasiado pequeño	Comprobar el dimensionamiento de la válvula (valor k_{vs})
La válvula no reacciona al aire comprimido	La válvula no está dimensionada para aire comprimido, y por lo tanto no dispone de ninguna toma de aire comprimido	Retirar el aire comprimido y elegir otra válvula (p. ej. válvula neumática de membrana) para la aplicación

Avería	Causa posible	Eliminación del fallo
Intensa formación de ruido	Dimensionamiento de válvula demasiado grande. Como consecuencia la válvula se abre solo mínimamente y se generan vibraciones	Comprobar el dimensionamiento de la válvula (valor k_{vs})
	Dimensionamiento de válvula demasiado pequeño. Como consecuencia la velocidad de flujo en la válvula es excesiva	Comprobar el dimensionamiento de la válvula (valor k_{vs})
Daños excesivos en la válvula reductora de presión tipo 582/válvula de retención de presión tipo 586	Ensuciamiento del medio, sedimentos de corrosión o cuerpos extraños.	Montar un colador
El manómetro no indica nada	Manómetro defectuoso	Sustituir el manómetro
	El fluido amortiguador se escapa del adaptador de manómetro	Comprobar el adaptador del manómetro y sustituirlo si es necesario
El manómetro se detiene en un valor constante	Manómetro defectuoso	Sustituir el manómetro
	Perforaciones del cartucho atoradas	Limpiar el cartucho, ver Capítulo 11.2 "Limpiar la carcasa interior"
El ensamblaje superior no se puede atornillar a la pieza de base	<p>El resorte no está descargado</p> <p>El platillo del resorte no se encuentra en el tope, ver la fig. 18</p> <div data-bbox="667 1505 900 1841" style="text-align: center;">  </div> <p style="text-align: center;">Fig. 18</p>	<p>Atornillar el platillo del resorte en la posición final, ver la fig. 19</p> <div data-bbox="1066 1505 1315 1841" style="text-align: center;">  </div> <p style="text-align: center;">Fig. 19</p>

13 Piezas de repuesto

Efectúe el pedido del repuestos del siguiente modo:

- ▶ Identifique el material de obturación en función de la placa divisora, ver capítulo 6.1. Material de obturación.
- ▶ Lea el tamaño DN en la pieza de base.
- ▶ Lea la denominación del repuesto, ver capítulos 4.1 y 4.2.
- ▶ Envíe el pedido junto con estos datos y la cantidad requerida a la filial de GF Piping Systems.

14 Accesorios

Denominación	Número de artículo		
	DN 10/15	DN 20/25	DN 32/40/50
Llave de gancho	198 806 451	198 806 452	198 806 453
Adaptador de manómetro	198 806 650		
Manómetro de latón	198 806 651		
Manómetro de acero inoxidable	198 806 652		
Tapón de manómetro	198 806 653		

15 Eliminación

- ▶ Antes de eliminar los materiales individuales estos deben separarse en residuos reciclables, residuos normales y residuos especiales.
- ▶ Al eliminar o reciclar el producto, los componentes individuales y el embalaje, deben observarse las normas locales y disposiciones legales vigentes.
- ▶ Observar los instrucciones, normativas y estándares específicos del país.

**ADVERTENCIA**

Algunas partes del producto pueden estar contaminadas con fluidos nocivos para la salud y el medio ambiente y, por tanto, no basta simplemente con limpiarlas.

Estos fluidos pueden causar daños personales y medioambientales.

Antes de eliminar el producto:

- ▶ Recoja los fluidos que se escapen y deséchelos de acuerdo con la normativa local. Consulte la hoja de datos de seguridad.
- ▶ Neutralice los restos de fluido que puedan quedar en el producto.
- ▶ Separe los materiales (plásticos, metales, etc.) y deséchelos de acuerdo con la normativa local.

Si tiene dudas respecto a la eliminación del producto, diríjase a su representación nacional de GF Piping Systems.

16 Declaración del fabricante CE

El fabricante Georg Fischer Rohrleitungs-systeme AG, 8201 Schaffhausen (Suiza), declara que las válvulas reguladoras de presión, por la conexión de uso con fluidos peligrosos, inflamables o gaseosos, debido al diámetro nominal y a la etapa de presión no están dentro del ámbito de aplicación de la directiva sobre equipos a presión 97/23/CE.

Toda modificación de la válvula reguladora de presión que afecte a las especificaciones técnicas indicados y al uso conforme a su destino invalidará esta declaración del fabricante.

Nombre: Antonio De Agostini

Puesto: Director de I+D Georg Fischer Piping Systems

Fecha: 20-02-2014

Worldwide at home

Our sales companies and representatives ensure local customer support in over 100 countries

www.gfps.com

Argentina / Southern South America

Georg Fischer Central Plastics
Sudamérica S.R.L.
Buenos Aires, Argentina
Phone +54 11 4512 02 90
gfcentral.ps.ar@georgfischer.com
www.gfps.com/ar

Australia

George Fischer Pty Ltd
Riverwood NSW 2210 Australia
Phone +61 (0) 2 9502 8000
australia.ps@georgfischer.com
www.gfps.com/au

Austria

Georg Fischer
Rohrleitungssysteme GmbH
3130 Herzogenburg
Phone +43 (0) 2 782 856 43-0
austria.ps@georgfischer.com
www.gfps.com/at

Belgium / Luxembourg

Georg Fischer NV/SA
1070 Bruxelles/Brüssel
Phone +32 (0) 2 556 40 20
be.ps@georgfischer.com
www.gfps.com/be

Brazil

Georg Fischer Sist. de Tub. Ltda.
04795-100 São Paulo
Phone +55 (0) 11 5525 1311
br.ps@georgfischer.com
www.gfps.com/br

Canada

Georg Fischer Piping Systems Ltd
Mississauga, ON L5T 2B2
Phone +1 (905) 670 8005
Fax +1 (905) 670 8513
ca.ps@georgfischer.com
www.gfps.com/ca

China

Georg Fischer Piping Systems Ltd
Shanghai 201319
Phone +86 21 3899 3899
china.ps@georgfischer.com
www.gfps.com/cn

Denmark / Iceland

Georg Fischer A/S
2630 Taastrup
Phone +45 (0) 70 22 19 75
info.dk.ps@georgfischer.com
www.gfps.com/dk

Finland

Georg Fischer AB
01510 VANTAA
Phone +358 (0) 9 586 58 25
Fax +358 (0) 9 586 58 29
info.fi.ps@georgfischer.com
www.gfps.com/fi

France

Georg Fischer SAS
95932 Roissy Charles de Gaulle Cedex
Phone +33 (0) 1 41 84 68 84
fr.ps@georgfischer.com
www.gfps.com/fr

Germany

Georg Fischer GmbH
73095 Albershausen
Phone +49 (0) 7161 302-0
info.de.ps@georgfischer.com
www.gfps.com/de

India

Georg Fischer Piping Systems Ltd
400 076 Mumbai
Phone +91 224007 2001
branchoffice@georgfischer.com
www.gfps.com/in

Italy

Georg Fischer S.p.A.
20063 Cernusco S/N (MI)
Phone +39 02 921 861
it.ps@georgfischer.com
www.gfps.com/it

Japan

Georg Fischer Ltd
556-0011 Osaka,
Phone +81 (0) 6 6635 2691
jp.ps@georgfischer.com
www.gfps.com/jp

Korea

Georg Fischer Piping Systems
271-3 Seoheon-dong Bundang-gu
Seongnam-si, Gyeonggi-do
Seoul 463-824
Phone +82 31 8017 1450
Fax +82 31 8017 1454
kor.ps@georgfischer.com
www.gfps.com/kr

Malaysia

Georg Fischer (M) Sdn. Bhd.
40460 Shah Alam, Selangor Darul Ehsan
Phone +60 (0) 3 5122 5585
my.ps@georgfischer.com
www.gfps.com/my

Mexico / Northern Latin America

Georg Fischer S.A. de C.V.
Apodaca, Nuevo Leon
CP66636 Mexico
Phone +52 (81) 1340 8586
Fax +52 (81) 1522 8906
mx.ps@georgfischer.com
www.gfps.com/mx

Middle East

Georg Fischer
Piping Systems [Switzerland] Ltd
Dubai, United Arab Emirates
Phone +971 4 289 49 60
gcc.ps@georgfischer.com
www.gfps.com/int

Netherlands

Georg Fischer N.V.
8161 PA Epe
Phone +31 (0) 578 678 222
nl.ps@georgfischer.com
www.gfps.com/nl

New Zealand

Georg Fischer Ltd
13 Jupiter Grove, Upper Hutt 5018
PO Box 40399, Upper Hutt 5140
Phone +64 (0) 4 527 9813
nz.ps@georgfischer.com
www.gfps.com/nz

Norway

Georg Fischer AS
1351 Rud
Phone +47 67 18 29 00
no.ps@georgfischer.com
www.gfps.com/no

Poland

Georg Fischer Sp. z o.o.
05-090 Sekocin Nowy
Phone +48 (0) 22 31 31 0 50
poland.ps@georgfischer.com
www.gfps.com/pl

Romania

Georg Fischer
Piping Systems [Switzerland] Ltd
020257 Bucharest - Sector 2
Phone +40 (0) 21 230 53 80
ro.ps@georgfischer.com
www.gfps.com/int

Russia

Georg Fischer
Piping Systems [Switzerland] Ltd
Moscow 125047
Phone +7 495 258 60 80
ru.ps@georgfischer.com
www.gfps.com/ru

Singapore

George Fischer Pte Ltd
11 Tampines Street 92, #04-01/07
528 872 Singapore
Phone +65 6747 0611
sgp.ps@georgfischer.com
www.gfps.com/sg

Spain / Portugal

Georg Fischer S.A.
28046 Madrid
Phone +34 (0) 91 781 98 90
es.ps@georgfischer.com
www.gfps.com/es

Sweden

Georg Fischer AB
117 43 Stockholm
Phone +46 (0) 8 506 775 00
info.se.ps@georgfischer.com
www.gfps.com/se

Switzerland

Georg Fischer
Rohrleitungssysteme [Schweiz] AG
8201 Schaffhausen
Phone +41 (0) 52 631 30 26
ch.ps@georgfischer.com
www.gfps.com/ch

Taiwan

Georg Fischer Co., Ltd
San Chung Dist., New Taipei City
Phone +886 2 8512 2822
Fax +886 2 8512 2823
www.gfps.com/tw

United Kingdom / Ireland

Georg Fischer Sales Limited
Coventry, CV2 2ST
Phone +44 (0) 2476 535 535
uk.ps@georgfischer.com
www.gfps.com/uk

USA / Caribbean

Georg Fischer LLC
Tustin, CA 92780-7258
Phone +1 (714) 731 88 00
Toll Free 800 854 40 90
us.ps@georgfischer.com
www.gfpiping.com

Vietnam

Georg Fischer Pte Ltd
136E Tran Vu, Ba Dinh District, Hanoi
Phone +84 4 3715 3290
Fax +84 4 3715 3285

International

Georg Fischer
Piping Systems [Switzerland] Ltd
8201 Schaffhausen/Switzerland
Phone +41 (0) 52 631 30 03
Fax +41 (0) 52 631 28 93
info.export@georgfischer.com
www.gfps.com/int

The technical data are not binding. They neither constitute expressly warranted characteristics nor guaranteed properties nor a guaranteed durability. They are subject to modification. Our General Terms of Sale apply.

