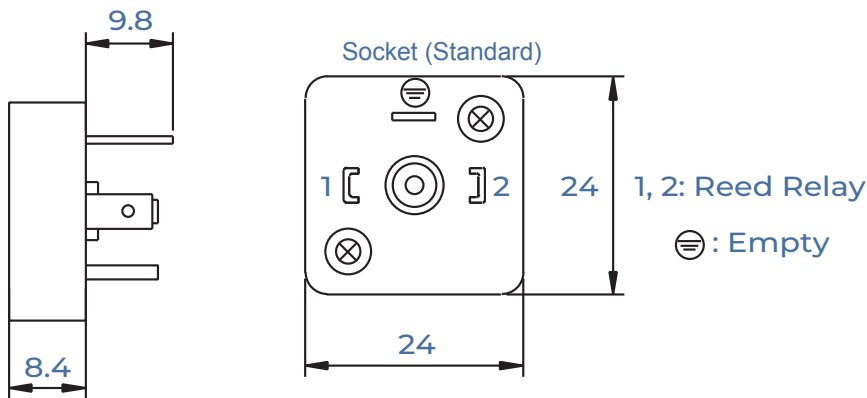


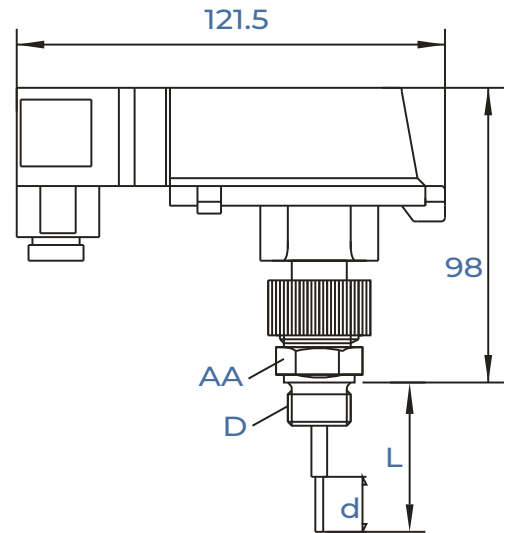
Specifications

Body Material	PP
O-Ring	Viton
Max. Working Temperature	190°F 88°C
Max. Working Pressure Non-Shock	145 psi 10 bar
Max. Contact Current	1.5A
Max. Power Supply	85 VDC 250 VAC
Relay	SPST Reed Switch NO NC Adjustable
Protection Class	IP65 NEMA 4X

Electrical Connections



Dimensions



Model Selection

Pipe Size	Model	Material	Connection Size D	Max. Flow m3/h, Water	Rising Flow Rate L/min, Water	Falling Flow Rate L/min, Water	AA1-AA (MM)	L (MM)	D (MM)
½- 2"	FES-005-2	PP	½" NPT	20	1 2	0.9 1.9	27	52	20
3"	FES-005-3	PP	½" NPT	30	3 6	2.9 5.5	27	60	30
4"	FES-005-4	PP	½" NPT	40	4.8 8	4.6 7.5	27	70	40
6"	FES-005-6	PP	½" NPT	110	8 11	7.8 10	27	80	50
8"	FES-005-8	PP	½" NPT	120	18 24.2	17.5 24	27	90	60