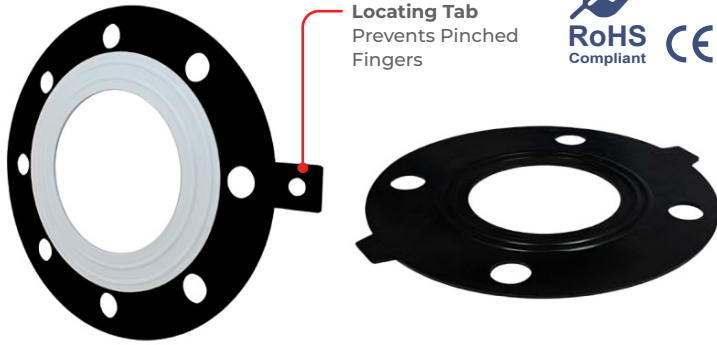


Truflo® — Lotorq LT Series

Full Faced ANSI Flange Gaskets

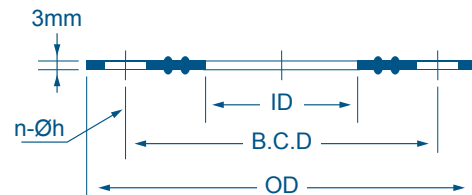
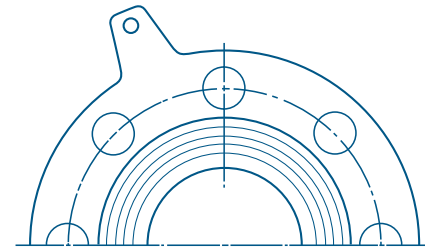
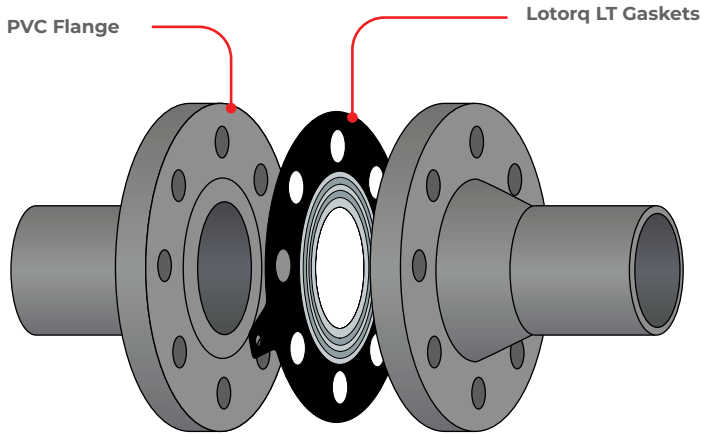
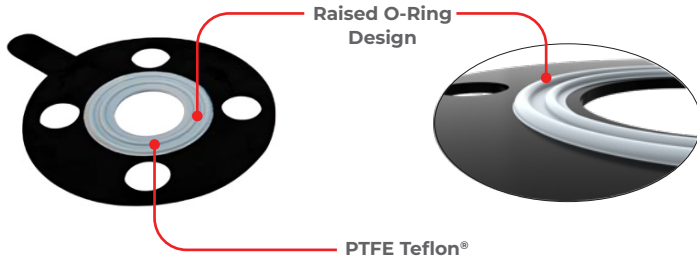


- ✓ Reduces Flange Breakage
- ✓ Double Convex Raised O-Ring Design
- ✓ Full Faced Design | Reduces Pressure Drop
- ✓ Seals with 75% Less Bolt Torque Vs Flat Faced

Enhanced Sealing Efficiency

The Truflo® Lotorq LT Series Flange Gaskets are recommended for all types of non-metal plastic flanged connections to prevent initial breakage due to bolt over-tightening.

The unique double raised O-Ring Design provides excellent sealing with 75% less bolt torque required for flat face gaskets. The PTFE gaskets have PTFE Teflon® sheet material bonded directly to the EPDM. The LT Series is ideal for Thermoplastic Piping Systems for applications up to 250 psi.



Recommended Bolt Torque (FT-LBS)

Nominal Size		PTFE	EPDM
Inches	mm		
½	15	14	6
¾	20	14	6
1	25	16	16
1 ½	40	16	16
2	50	18	18
2 ½	65	18	18
3	80	22	22
4	100	22	22
5	125	31	31
6	150	31	31
8	200	41	41
10	250	41	41
12	300	45	45

Dimensions

Size	DN	ASME B16.21	ID	OD	B.C.D	No. of Holes	Dia. of Holes
½	15	150#	21	89	60	4	16
¾	20	150#	27	98	70	4	16
1	25	150#	33	108	79	4	16
1- ½	40	150#	48	127	98	4	16
2	50	150#	60	152	121	4	19
2- ½	65	150#	73	178	140	4	19
3	80	150#	89	191	152	4	19
4	100	150#	114	229	191	8	19
5	125	150#	141	254	216	8	22
6	150	150#	168	279	241	8	22
8	200	150#	219	343	298	8	22
10	250	150#	273	406	362	12	25
12	300	150#	324	483	432	12	25

Model Selection

LOTORQ LT — Full Face Flange Gaskets		
Size	EPDM	PTFE
	Part Number	Part Number
½"	LTE0005	LTPT0005
¾"	LTE0075	LTPT0075
1"	LTE0100	LTPT0100
1½"	LTE0150	LTPT0150
2"	LTE0200	LTPT0200
2½"	LTE0250	LTPT0250
3"	LTE0300	LTPT0300
4"	LTE0400	LTPT0400
5"	LTE0500	LTPT0500
6"	LTE0600	LTPT0600
8"	LTE0800	LTPT0800
10"	LTE1000	LTPT1000
12"	LTE1200	LTPT1200