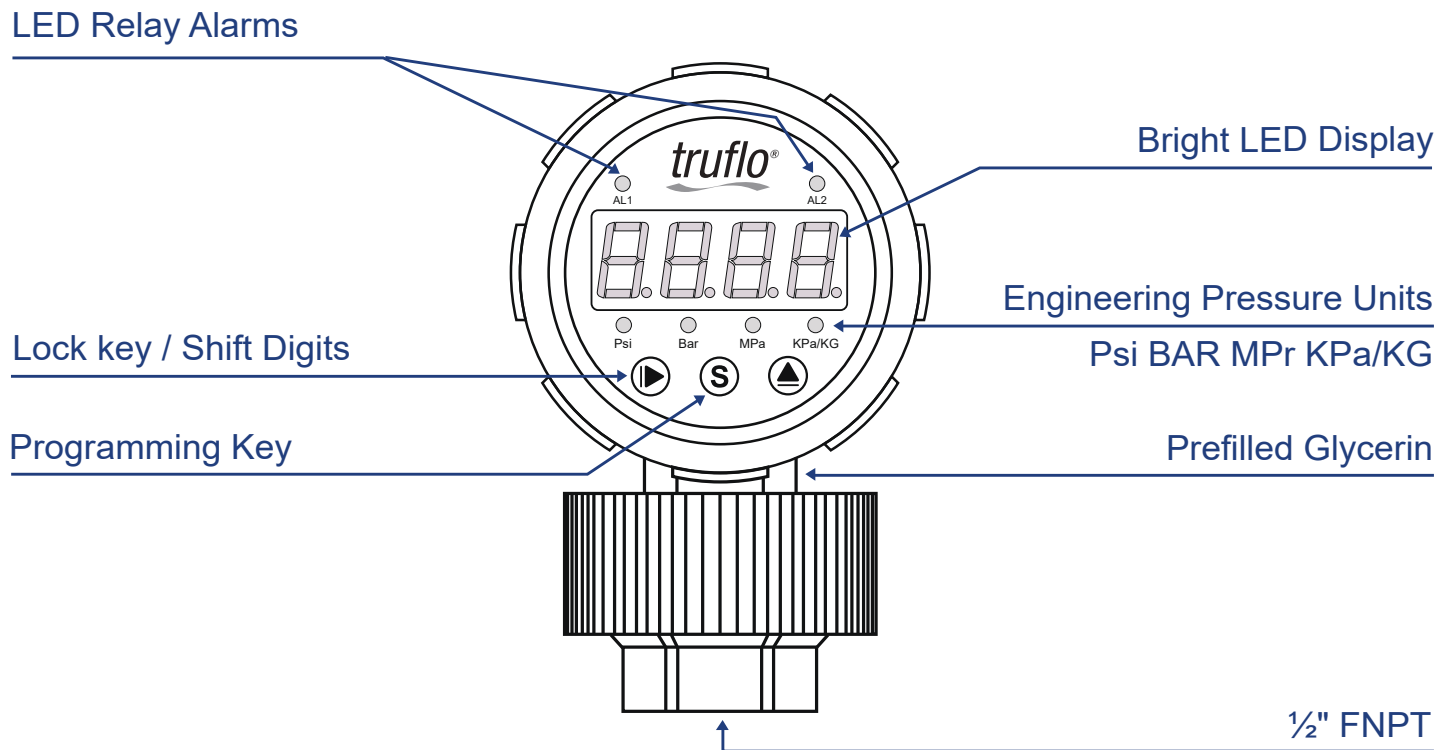


OBS-LE Series LED Digital Pressure Gauge

Operating Manual



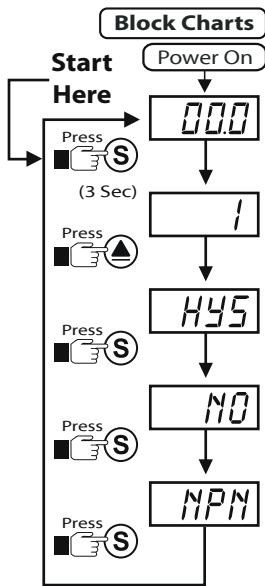
Function of Buttons

Key Name	Symbol	Descriptions
Lock / Shift		Press Key for 3 Seconds to Lock Sensor Press to Shift Cursor while in Programming Mode
Programming		Press Key for 3 Seconds to Enter Programming Mode. Press to Scroll through Menu. Press Key Quickly will allow operator to Scroll through different Pressure engineering units.
Unlock / Adjust		Press Key for 3 Seconds to Unlock Sensor Alarm. Press One (1) Second to change units.

PROGRAMMING MODE OPERATING PROCEDURES

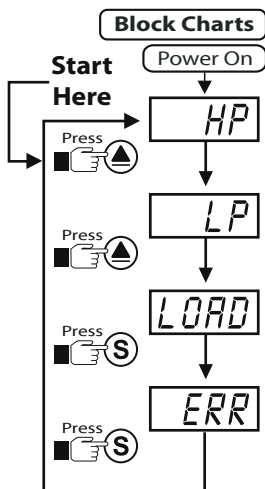
Follow Hand For Programming

Alarm Setpoint



Display	Descriptions	Default
00.0	Press Key for 3 Seconds to Enter Programming Mode.	000
-1- or -2-	Press Key to Program Relay 1 or Relay 2 Press to Save your Selecting.	1
HYS	Press Key for Relay Hystresis mode (Prevents Relay Chatter)	HYS
No or Nc	Press Key to Select normally Open or Normally Closed Pulse Output. Press Key to Save.	NO
NPN	Press Key to Select PNP (Sourcing) or NPN (Sinking) Press Key to Save.	NPN

System Programming Steps



Display	Descriptions	Default
HP	Press Key to Change Value of High Relay Set Point. Press to Move Cursor. Press Key to Save	HP
LP	Press Key to Change the Value of Low Relay Set-Point. Press Key to Save	LP
Load	Press change to Key to Move Cursor. Press Key to Save.	LOAD
Err	If LP Relay Output is Higher than HP Relay Output than Error (ERR) will Flash.	ERR

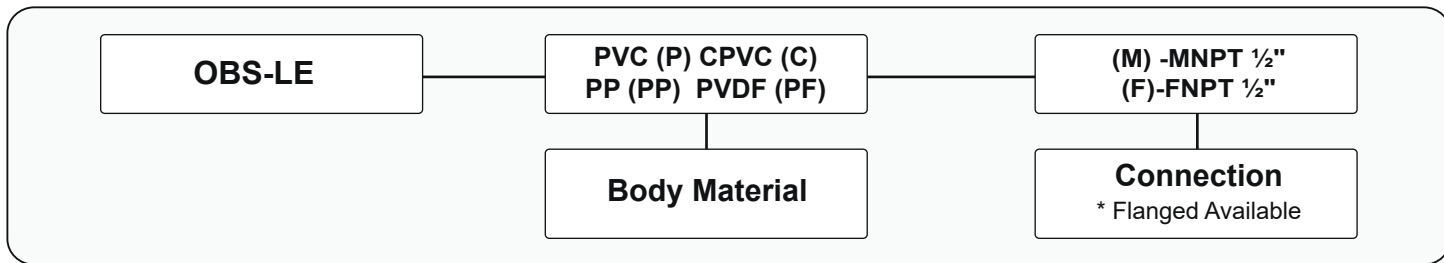
Analog 4-20mA

Plus & Play Design - No Programming

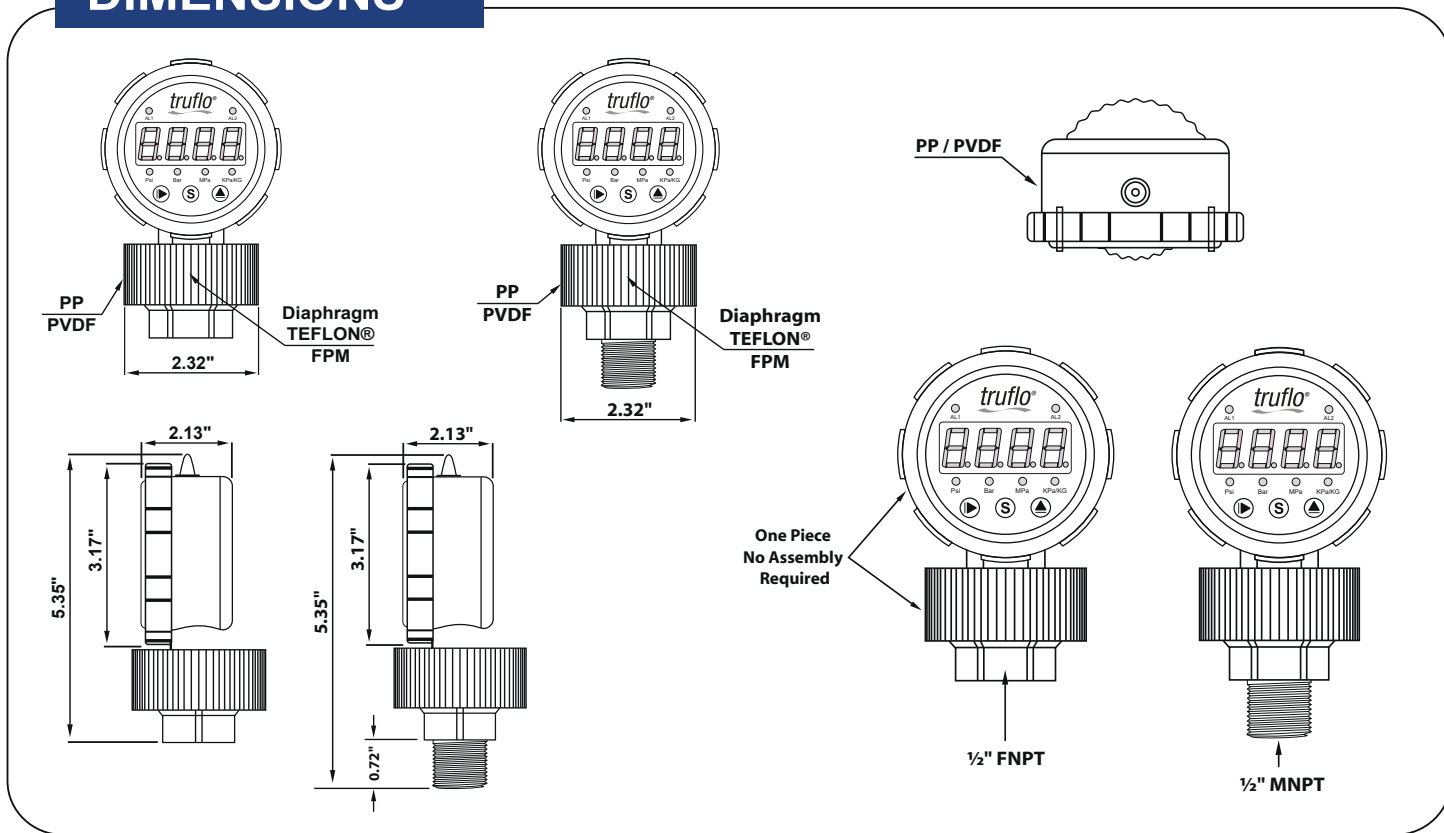
4mA = 0 Psi

20mA = 150 Psi (Refer to wiring Diagram Page-04)

HOW TO ORDER



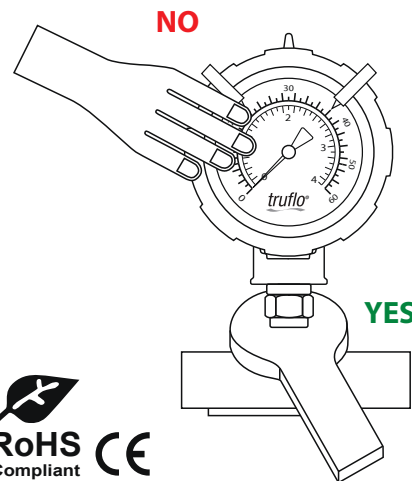
DIMENSIONS



INSTALLATION

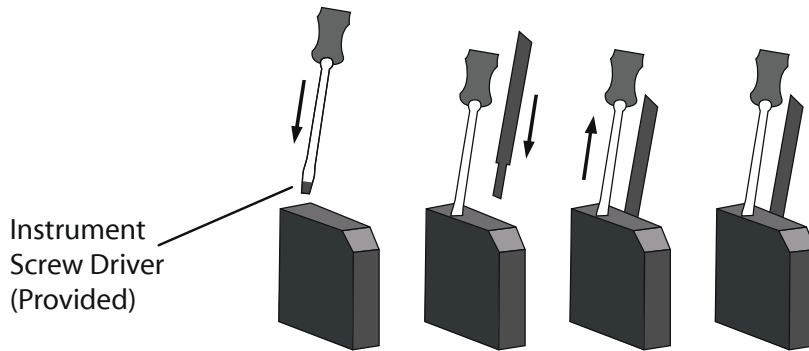
Do not tighten by grasping the case of the gauge as this may cause damage.

1. Before installing a pressure gauge, consideration should be given to temperature, humidity, vibration, pulsation, shock and other climatic and ambient conditions of the service application, and to the possible need for protective attachments and / or special installation requirements.
2. The user shall ensure that the correct gauge has been selected with the correct range and construction.



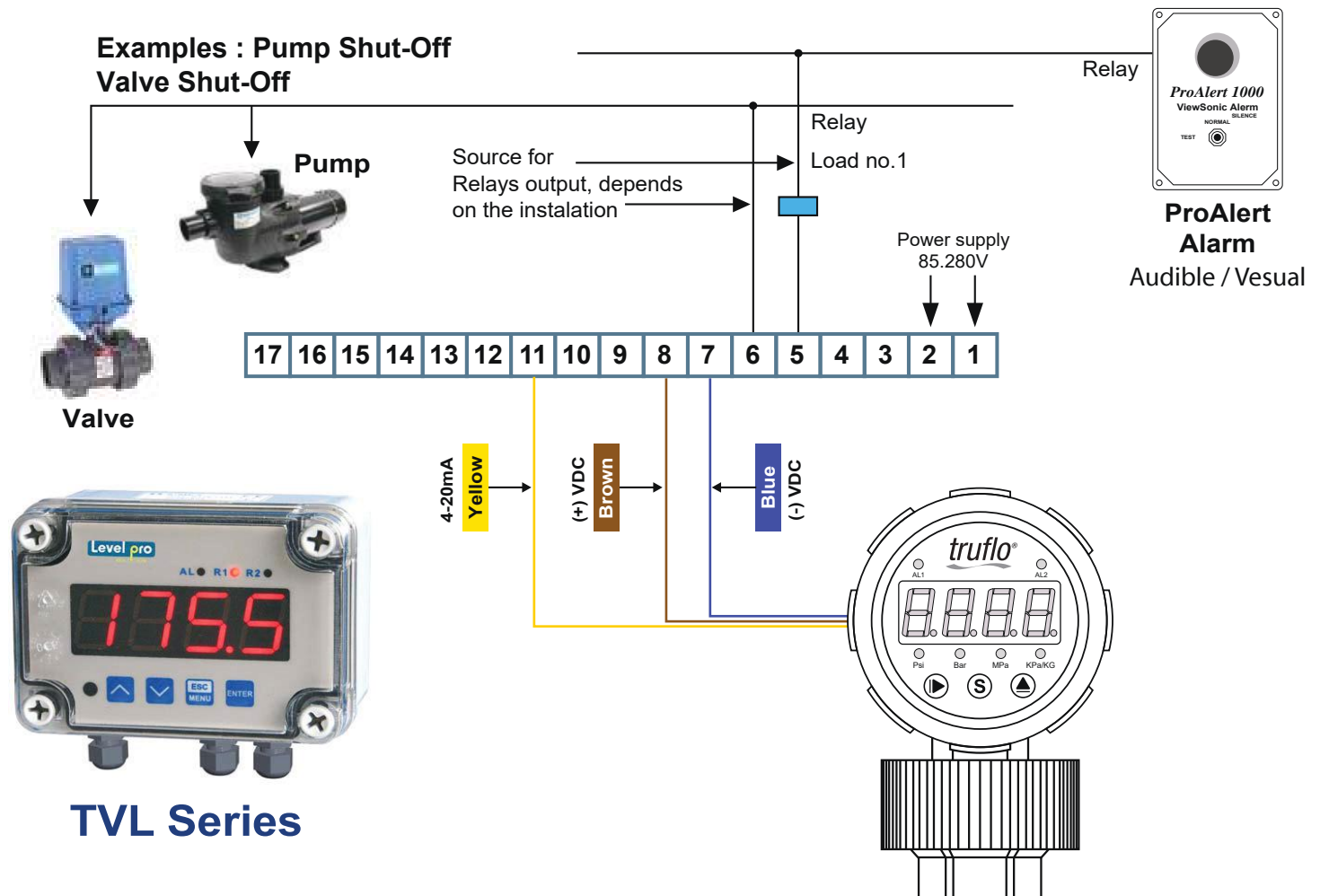
Example : TVL Series Controller + Display

Use Screw Driver Provided



Method of connecting cables to the clamping connectors

Truflo OBS LED Series 4-20mA Wiring Diagram



Hysteresis Mode

Hysteresis Mode (NO Type)

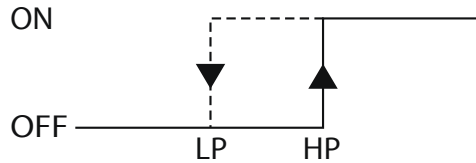


Fig - 1

Hysteresis Mode (NC Type)

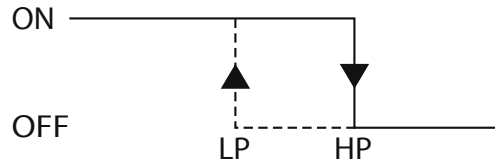
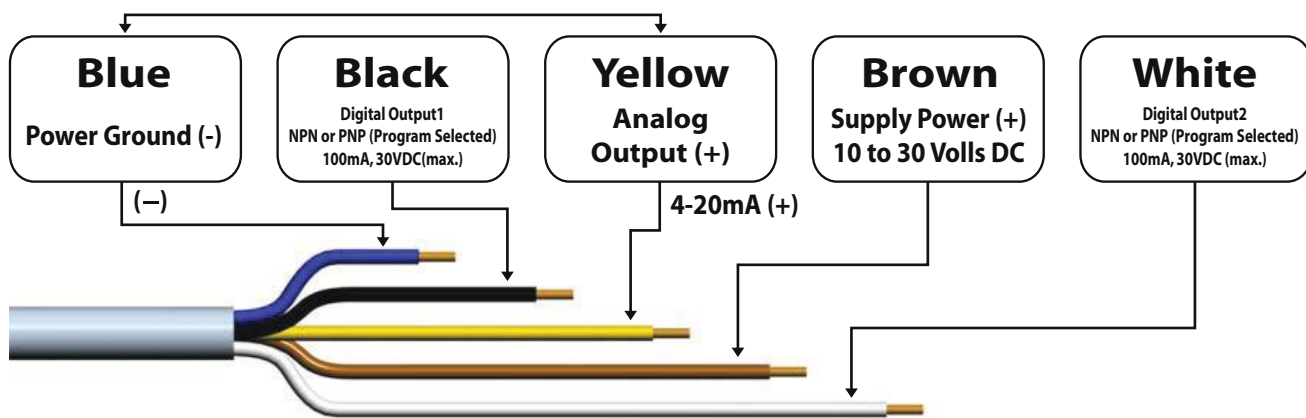


Fig - 2

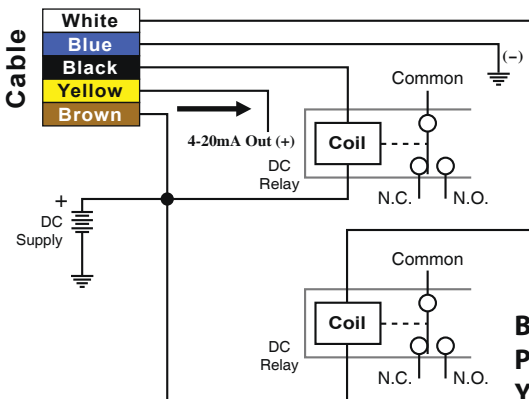
Wiring Definition



Even when Not Using 4-20mA Output the Blue Power (-) and Analogue Output Wire must be connected (Blue + Yellow) Connected to Power Supply VDC (-)

Wiring Diagram

1. NPN Mode



Brown (+) VDC
Power Blue (-) Ground
Yellow 4-20 mA (+) Analog Output

2. PNP Mode

