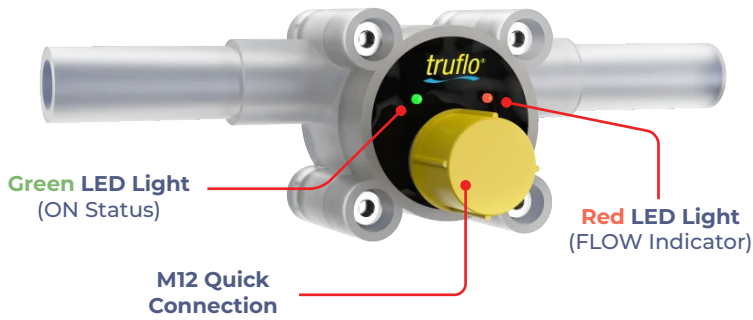


## Precision in Every Drop: **Monitoring Low Dosing Flows**



### Featuring:

- ✓ All Plastic PVDF Body | Rotor
- ✓ Excellent Chemical Resistance
- ✓ Perfect for Metering or Dosing Applications
- ✓ Ultra Low Flow Ranges | 50 ml/min | 0.013 GPM
- ✓ Hose Barb | Straight Pipe End Connections
- ✓ Sapphire Bearings
- ✓ ½" Tube | ⅜" Pipe
- ✓ NPN or PNP Pulse Output
- ✓ Compact Lightweight Design

### PVDF Turbine



- ✓ Great Chemical Resistance
- ✓ Anti-Stick and Low Frictional Properties
- ✓ Excellent Impact Strength
- ✓ Excellent Mechanical Properties

### Insert Flow Jets

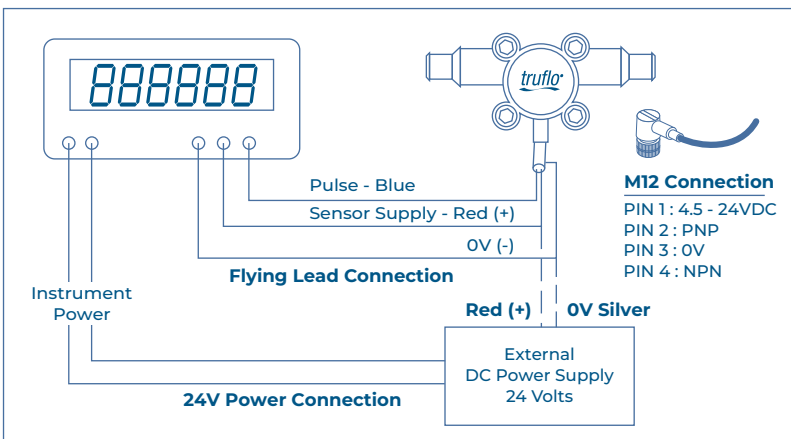


- ✓ Measure 5 Different Flow Ranges
- ✓ Jets are Field Replaceable
- ✓ Completely PVDF
- ✓ No Tools Required for Change-Out
- ✓ Great for Measuring Ultra-Low Flow Rates

### Small but mighty

The ProPulse® provides superior performance and delivers accurate ultra-low flow measurement that is highly repeatable under the most demanding of industrial environments.

The ProPulse® operates using a PVDF rotor with encapsulated magnetic inserts, which rotate on a long-wearing set of sapphire bearings, designed to provide years of reliability. As the rotor spins, the magnetic field produced by the magnets is picked up via a Hall Effect Sensor, which converts the rotation into a square wave NPN pulse output that can be sent directly to a metering pump or local display.





### Specifications

Body Material	PVDF
O-Ring	Viton®   Kalrez®
Viscosity   Particles	> 90 Micron
Operating Temperature	-40°F – 248°F   -40°C – 120°C
Max. Working Pressure   Non-Shock	200 Psi   14 Bar @ 68°F, 40 Psi   2.7 Bar @ 240°F
Calibration	6.8 Ghz
Output	NPN   PNP
Operating Voltage	24 VDC
Connections	½" Tube   ⅜" Pipe
Repeatability	±0.1%

### Flow Characteristics

Model	Flow Range (LPM)	Flow Range (GPM)	Accuracy ± % Full Scale	Frequency Hz	K Factor (1/Liter)	K Factor (1/Gallon)
300 - Jet 1	0.05 – 0.50	0.014 – 0.13	2.0	142	17,000	64,352
300 - Jet 2	0.12 – 1.50	0.032 – 0.40	2.0	175	7,000	26,498
300 - Jet 3	0.20 – 4.50	0.053 – 1.19	1.5	260	3,500	13,249
300 - Jet 4	0.25 – 6.50	0.067 – 1.72	1.5	230	2,100	7,949
300	0.30 – 10.00	0.08 – 2.60	1	235	1,420	5,375
420	0.50 – 15.00	0.132 – 4.00	1	245	980	3,710

### Model Selection

ProPulse® — Turbine Flow Meter		
Size	Part Number	Material
⅜" - ½"	300-J-0	PVDF
⅜" - ½"	300-J-1	PVDF
⅜" - ½"	300-O-0	PVDF
⅜" - ½"	300-O-1	PVDF
⅜" - ½"	420-J-0	PVDF
⅜" - ½"	420-J-1	PVDF
⅜" - ½"	420-O-0	PVDF
⅜" - ½"	420-O-1	PVDF

'J' - Straight Pipe 'O' - Hose Barb '1' - M12 Connection '0' - Flying Lead

