

Both 65 mm and 150 mm scales, borosilicate glass tube models feature all stainless steel frame and horizontal connections at a less expensive price than competitive products. Valve optional.



## DESCRIPTION

<b>Metering Tube</b>	Borosilicate Kinglass
<b>Internal Components</b>	316L SS, black glass, sapphire, Carboloy, tantalum
<b>Fitting Material</b>	316L SS Optional: PVC, PVDF, Hastelloy®
<b>Inlet/Outlet Fittings</b>	1/8" and 1/4" FNPT, horizontal control valve optional
<b>O-Ring</b>	Standard: Viton® Optional: Buna N, EPR, Kalrez®

## PERFORMANCE

<b>Capacities</b>	Water 0.56 to 1,800 cc/min Air 54 to 70,000 cc/min
<b>Scale</b>	65 mm, 150 mm direct reading, detachable
<b>Accuracy</b>	± 6% of full scale flow, 65 mm ± 4% of full scale flow, 150 mm
<b>Turndown</b>	10:1
<b>Repeatability</b>	1%
<b>Maximum Temperature</b>	Gases 250° F (121° C) Liquids 200° F (93° C)
<b>Maximum Pressure</b>	316L SS fittings 200 psig PVC fittings 130 psig PVDF fittings 150 psig
<b>Ambient Temperature</b>	33° F to 125° F (1° C to 52° C)

## OPTIONS

<b>Alarm</b>	Fiber-Optic or Inductive Ring Sensor
<b>Certified Calibrations</b>	Conform to ISA RP 16.6
<b>Scales</b>	Any volumetric unit

## ALARM OPTIONS: 7430



7430 with Inductive Ring Sensor

### Inductive Ring Sensor

7430 Series flowmeters with metallic floats can be ordered with an inductive ring sensor that is able to detect a predetermined rate of flow and is compatible with stainless steel or Carboloy floats only.

Inductive ring sensors are 2-wire, DC, low current devices and are designed to be used with a remote intrinsic safety barrier /switch isolator. Sensors are available as either proximity or latching devices. The sensor can be positioned to trigger at any point on the scale. It is able to detect the metal float by producing an electromagnetic field that senses the float within its sensing zone.

The inductive sensor connects to a barrier/switch isolator which powers the sensor and provides the desired switching option. Barrier/switch isolators are available with 220VAC, 110VAC or 24VDC supply voltage requirements, contain single pole double throw (SPDT) relays, and are DIN rail mountable. See barrier/switch isolator specifications for electrical connections and further details.

Maximum operating temperature 40° C for 1/8" float; 70° C for 1/4" float.

Note: We can supply the safety barriers/switch isolators upon request. User must provide the power supply voltage

### Fiber Optic Sensor

The fiber optic alarm sensor is an available option for all 7430 Series flowmeters and is compatible with all float materials except sapphire. The sensor is used to detect a predetermined rate of flow. The sensor can interface directly to a Programmable Logic Controller (PLC) or when connected to a separate relay can trigger a local or remote alarm.

The fiber optic sensor is mounted in a junction box attached to the side of the flowmeter. The sensor uses a pair of fiber optic cables, an emitter and receiver, to transmit the light generated by the sensor. Note: Maximum operating temperature 131° F.

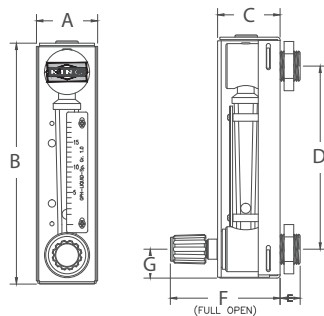
# 7430 Series Specifications

## Glass Tube

65MM Scale Flow Ranges							
Tube Number	Float Material	Air (STP)			Water (70° F)		
		CC/MIN	SCFH	SLPH	CC/MIN	GPH	LPH
1-02-G-021	Glass	66	.14	4.0	0.72	.011	.042
	Sapphire	105	.22	6.2	1.3	.021	.078
	Stainless Steel	200	.42	12.0	3.3	.052	.190
	Carboloy	340	.70	20.0	7.0	.110	.420
	Tantalum	350	.74	21.0	7.8	.125	.460
1-03-G-041	Glass	76	.16	4.6	1.15	.018	.068
	Sapphire	120	.25	7.2	2.10	.032	.125
	Stainless Steel	230	.50	14.0	4.20	.068	.260
	Carboloy	400	.85	24.0	9.00	.145	.560
	Tantalum	440	.90	26.0	10.00	.165	.620
1-08-G-061	Glass	525	1.1	31	9.0	.14	.54
	Sapphire	700	1.5	42	15.5	.24	.95
	Stainless Steel	1130	2.4	68	29.0	.46	1.70
	Carboloy	1600	3.4	95	46.0	.72	2.80
	Tantalum	1700	3.6	100	50.0	.78	3.00
1-23-G-081	Glass	2000	4.2	120	44	.70	2.6
	Sapphire	2600	5.4	150	68	1.05	4.0
	Stainless Steel	3800	8.2	230	110	1.70	6.6
	Carboloy	5600	12.0	340	170	2.70	10.5
	Tantalum	6000	13.0	360	180	2.90	11.0
2-14-G-021	Glass	6800	14.5	400	160	2.6	9.5
	Sapphire	9200	19.5	540	240	3.8	14.5
	Stainless Steel	13000	28.0	800	400	6.2	24.0
	Carboloy	19000	40.0	1100	600	9.5	36.0
	Tantalum	20000	42.0	1200	640	10.0	38.0
2-34-G-041	Glass	19000	40.0	1150	520	8.25	31.0
	Sapphire	25000	52.0	1500	740	11.50	44.0
	Stainless Steel	42500	90.0	2550	1200	19.00	72.0
	Carboloy	60000	125.0	3600	1700	27.00	105.0
	Tantalum	70000	145.0	4200	1800	29.00	110.0

150 MM Scale Flow Ranges							
Tube Number	Float Material	Air (STP)			Water (70° F)		
		CC/MIN	SCFH	SLPH	CC/MIN	GPH	LPH
1-03-G-022	Glass	54	.114	3.2	.56	.0088	.033
	Sapphire	82	.175	4.9	1.04	.0160	.062
	Stainless Steel	160	.340	9.8	2.25	.0350	.135
	Carboloy	280	.580	16.5	5.00	.0780	.300
	Tantalum	300	.620	17.5	5.20	.0840	.320
1-04-G-042	Glass	106	.225	6.4	1.24	.0195	.074
	Sapphire	165	.35	10.0	2.35	.0380	.145
	Stainless Steel	320	.68	19.0	5.60	.0900	.340
	Carboloy	540	1.14	32.0	12.4	.1950	.740
	Tantalum	580	1.24	35.0	13.5	.2100	.820
1-07-G-062	Glass	350	.74	21.0	4.7	.074	.28
	Sapphire	500	1.06	30.0	10.0	.160	.60
	Stainless Steel	820	1.75	50.0	20.5	.330	1.25
	Carboloy	1250	2.60	76.0	34.0	.540	2.05
	Tantalum	1350	2.90	80.0	36.0	.560	2.15
1-11-G-082	Glass	850	1.8	50.0	16.5	.26	1.0
	Sapphire	1100	2.3	66.0	27.0	.42	1.6
	Stainless Steel	1600	3.4	100.0	46.0	.72	2.7
	Carboloy	2300	4.9	140.0	72.0	1.15	4.4
	Tantalum	2450	5.2	155.0	80.0	1.25	4.8
1-27-G-102	Glass	2150	4.6	130.0	52	.84	3.1
	Sapphire	2800	6.0	170.0	78	1.24	4.7
	Stainless Steel	4400	9.2	260.0	130	2.05	7.8
	Carboloy	6200	13.5	380.0	205	3.20	12.5
	Tantalum	6750	14.0	400.0	210	3.30	12.5
2-09-G-002	Glass	3800	8.2	230.0	86	1.35	5.2
	Sapphire	5000	10.6	300.0	130	2.05	7.8
	Stainless Steel	7500	16.0	450.0	220	3.40	13.0
	Carboloy	10600	22.5	640.0	330	5.20	20.0
	Tantalum	11500	24.0	680.0	360	5.60	21.5
2-17-G-022	Glass	9000	19.0	540.0	215	3.40	13.0
	Sapphire	11400	24.5	700.0	320	5.00	19.0
	Stainless Steel	17000	36.0	1000.0	520	8.20	31.0
	Carboloy	24000	50.0	1450.0	760	12.2	46.0
	Tantalum	25000	54.0	1500.0	820	13.0	49.0
2-32-G-042	Glass	20500	43.0	1220.0	470	7.5	28.0
	Sapphire	26000	56.0	1550.0	700	11.0	42.0
	Stainless Steel	38000	82.0	2300.0	1120	18.0	68.0
	Carboloy	54000	116.0	3300.0	1650	26.0	100.0
	Tantalum	60000	125.0	3500.0	1750	28.0	106.0

Detail Letter	Scale length	
	65mm	150mm
A	1.50	1.50
B	6.05	10.25
C	1.56	1.56
D	4.53	8.826
E	0.50	.050
F	2.90	2.90
G	0.73	0.73



### ORDERING:

Use the following guide to determine the specific product number you require.

Meter Series	Tube Number	Float Material	Fitting Material	O-ring Material	Scale	Valve Option	Optional Alarm Switch
74C	See Specifications table	Glass - 1	316L SS - 1/8" F NPT - 1	EPR - 1	Millimeter - 1	316L SS - Inlet - 1	Without Alarm - 0
		Sapphire - 2	316L SS - 1/4" FNPT - 2	Buna-N - 2	GPH Water@70°F - 2	316L SS - Outlet - 2	Fiber-Optic NPN (Proximity) - 1
		316 SS - 3	PVC - 1/4" FNPT - 3	Viton® - 3	LPH Water@70°F - 3	No Valve - 3	Fiber-Optic PNP (Proximity) - 2
		Carboloy - 4	PVC - 1/8" FNPT - 4	Kalrez® No Valve - 4	CC/MIN Water@STP - 4	PVC - Inlet - 4	Inductive Ring Sensor (Proximity) - 3
		Tantalum - 5	PVDF - 1/4" FNPT - 5	Kalrez® Valve - 5	SCFH Air@STP - 5	PVC - Outlet - 5	Inductive Ring Sensor (Latching) - 4
			PVDF - 1/8" FNPT - 6		SLPH Air@STP - 6	PVDF - Inlet - 6	
			Hastelloy® C - 1/4" FNPT - 7		SCC/MIN Air@STP - 7	PVDF - Outlet - 7	
			Hastelloy® C - 1/8" FNPT - 8		Non standard - 8	Hastelloy® C - Inlet - 8	
						Hastelloy® C - Outlet - 9	