

Materials: PVC, CPVC, Natural Polypropylene, PVDF

Marquest Scientific's complete line of Mini gauge and instrument isolators are engineered to provide total isolation of all instruments from corrosive and ultra pure fluids in an ultra compact size.

Features & Benefits

- Provides a compatible, protective barrier between process fluids and instruments
- Adds system reliability by eliminating instrument failures.
- Ultra compact size for limited space applications
- Extremely low cost for O.E.M. integration
- Replaceable composite PTFE/FKM diaphragm
- Integral wrench provisions
- Diaphragm safety features
- Displacement capacity for up to 2 1/2" diameter gauges
- Self-venting, 1/4" female NPT instrument connection



SERIES MTG-22FS-PVC 2" ECONOMY GAUGE 1/4" Fem NPT Inlet PVC Body	SERIES MTG-22SB-PPR 2.5" STAINLESS/BRASS GAUGE 1/4" Male NPT Inlet Nat Polypro Body	SERIES MTG-25SS-PVD 2.5" ALL STAINLESS GAUGE 1/2" Male NPT Inlet PVDF Body
--	---	--

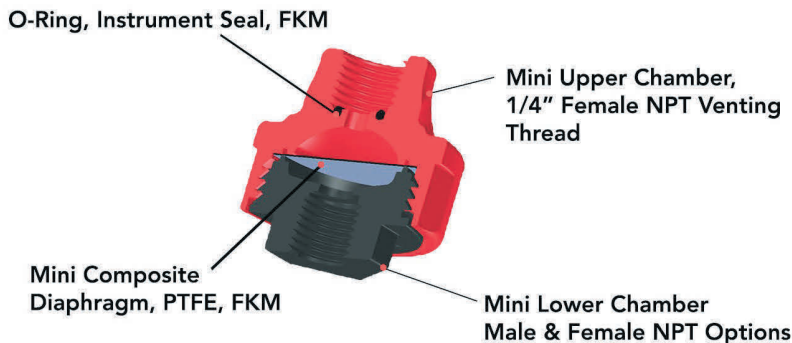
(1) Please see backside of data sheet for ordering info, including configuration & material options.

Specifications

Instrument Connection: Venting 1/4" Female NPT
Process Connections: 1/4" & 1/2" MNPT, 1/4" Female NPT
Materials of Construction:
Upper Housing: PVC, CPVC, Natural Polypro, PVDF
Lower Housing: PVC, CPVC, Natural Polypro, PVDF
Composite Diaphragm: PTFE, System / Process Side
 FKM, Instrument Side
Working Pressure: 0 - 250 psi at 70 Deg F.
Codes & Standards: ARRA Section 1605 "Buy American"
 Compliant. ASME A112.18.1M

Markets / Applications

- Wastewater Treatment
- Semiconductor Manufacturing
- Chemical Plants
- Chemical Feed Systems
- Food & Beverage
- Wet Processing
- Chemical Odor Control
- PCB Manufacturing
- Pharmaceutical Processing



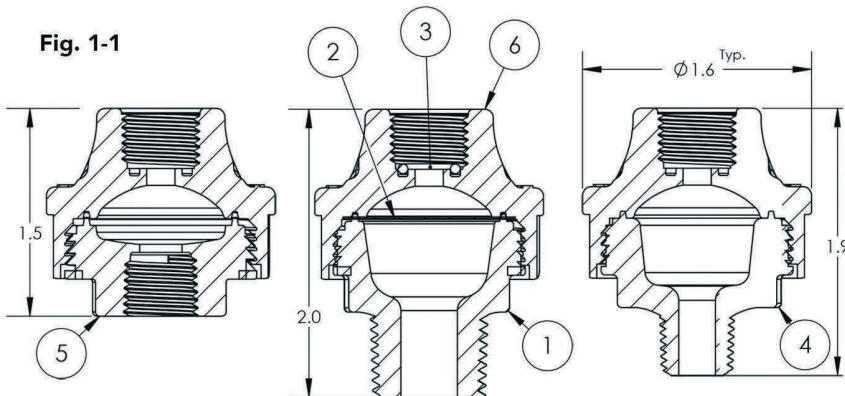
Where Quality Meets Service & Value™

Gauge Guards

Mini TUFF GUARD™ Series MTG

Dimensional Data / Parts List

Fig. 1-1



*Dimensions in inches

ITEM NO.	DESCRIPTION	QTY
1	Mini Lower 1/2" Male NPT	1
2	Mini Composite Diaphragm PTFE / FKM	1
3	O-Ring, Instrument Seal, FKM	1
4	Mini Lower 1/4" Male NPT	1
5	Mini Lower 1/4" Female NPT	1
6	Mini Upper 1/4" Female NPT Venting Thread	3

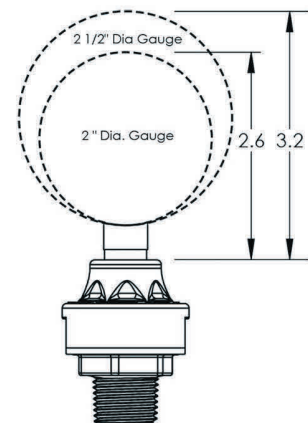
Pressure / Temperature Data

WORKING PRESSURES PSI

Material	10°C	20°C	30°C	40°C	50°C	60°C	70°C	80°C	90°C	100°C	120°C	Net Weights Pounds*
	50°F	68°F	86°F	104°F	122°F	140°F	158°F	176°F	194°F	212°F	248°F	
PVC	200	250	250	220	140	135	---	---	---	---	---	.13
CPVC	230	250	250	230	200	200	150	120	60	---	---	.14
PP	200	240	240	210	145	125	75	60	---	---	---	.12
PVDF	240	250	250	250	250	230	220	200	160	140	80	.16

WEIGHTS

Temperature Ranges: PVC: 14 to 140°F (10 to 60°C), CPVC: 50 to 194°F (10 to 90°C), PP: 46 to 176°F (8 to 80°C), PVDF: -22 to 248°F (-30 to 120°C). * Weights are for unfilled 1/4" Female NPT x 1/2" MNPT without gauges.



(1) Model MTG-25 shown above with 2" & 2.5" diameter case dimensions. Please combine dimensions from fig.1-1 to total full assembly height dimensions.

How to Order Mini Tuff Guard

Part No: **MTG - 2 5 060 SS - PVC**

MODEL	INSTRUMENT PORT	PROCESS INLET PORT	GAUGE INSTALLED	BODY MATERIAL	
Mini Tuff Guard	2 = 1/4" Vented Female NPT <small>(1) Viton FKM O-ring seal is used for sealing instrument to thread. Zero pressure build during instrument install.</small>	5 = 1/2" Male NPT 2 = 1/4" Male NPT 2F = 1/4" Female NPT	LEAVE BLANK = No Gauge H030 = 0-30 in Hg Vacuum 015 = 0-15 PSI 030 = 0-30 PSI 060 = 0-60 PSI 100 = 0-100 PSI 160 = 0-160 PSI 200 = 0-200 PSI 300 = 0-300 PSI <small>(1) Only specify pressure range when ordering with a gauge installed. When ordering a unit with no gauge installed (X), please leave section blank. (2) We offer both dual scale and compound pressure ranges. Please contact factory.</small>	LEAVE BLANK = No Gauge S = Standard 2" Black Painted Steel Case, Marquest, Dry Case, 2-3-2 % Accuracy SB = Stainless Case / Brass Internals 2.5" Wika 212.53, Glycerin Filled Case, 2.5% Accuracy SS = All Stainless 2.5" Ashcroft 1008s, Glycerin Filled Case, 1.5% Accuracy <small>(1) We offer a variety of other gauge & instrument options from Ashcroft, Wika, & US Ametek including 1.5", 2", & 2.5" Dial Sizes. The Mini Tuff Guard is also perfectly suited for a variety of pressure sensors. Please contact factory.</small>	PVC = Polyvinyl Chloride CPVC = Chlorinated Polyvinyl Chloride PPN = Natural Unpigmented Polypropylene PVDF = 100% HP Virgin PVDF

Example: MTG-25060SS-PVC (Gauge Installed)
PVC Mini Tuff Guard Isolator, 1/2" Male NPT Inlet, PTFE/FKM Composite Diaphragm, 0-60 PSI All Stainless 2.5" Dia. Ashcroft 1008s Glycerin Filled Gauge Assembled & Tested.

Example: MTG-22-PVDF (No Gauge Installed)
PVDF Mini Tuff Guard Isolator, 1/4" Vented Female NPT x 1/4" Male NPT Inlet, PTFE/FKM Composite Diaphragm, No Gauge Installed

(1) Assemblies with gauge installed have an Aqueous Glycerin (70% USDA 99.5% Glycerin / 30% Distilled Water) internal fill in the upper chamber and gauge stem internals. Silicone & Halocarbon fills available. Units ordered with out an instrument, need to be filled per installation instructions.

Marquest Scientific, Inc.
2950 Airway Avenue, Costa Mesa, 92626 California
Toll Free 866 452 2349 Fax 714 491 9199
www.marquestscientific.com | www.GaugeGuards.com



MARQUEST SCIENTIFIC
Fluid Handling Products

Where Quality Meets Service & Value™

© 2014 Marquest Scientific, Inc. | Printed in U.S.A. | MSI.MTG.DS