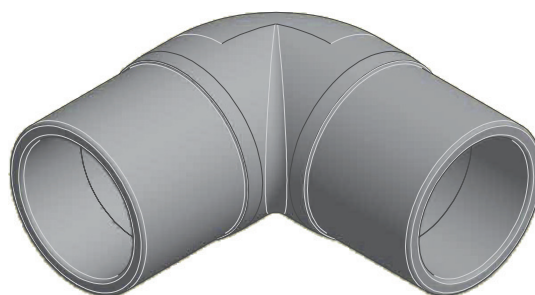



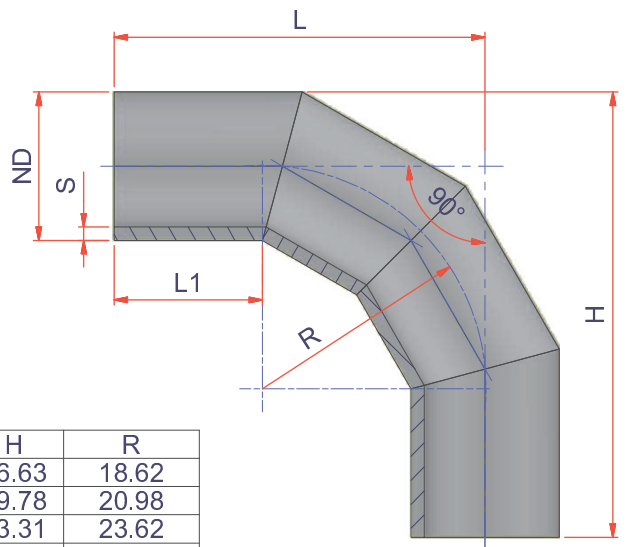


CODE	ND	S	L1	L	H
27NG901163MM	2" => 63 mm	0.23	2.76	4.72	6.06
27NG901175MM	2" 1/2 => 75 mm	0.27	2.95	5.11	6.73
27NG901190MM	3" => 90 mm	0.32	3.50	5.75	7.76
27NG9011110MM	4" => 110 mm	0.39	3.43	6.10	8.37
27NG9011125MM	5" => 125 mm	0.45	3.74	7.28	9.86
27NG9011160MM	6" => 160 mm	0.58	3.98	8.27	11.56
27NG9011200MM	8" => 200 mm	0.72	4.57	9.84	13.94
27NG9011250MM	10" => 250 mm	0.89	5.31	12.00	17.13
27NG9011315MMA	12" => 315 mm	1.13	6.81	14.69	20.87

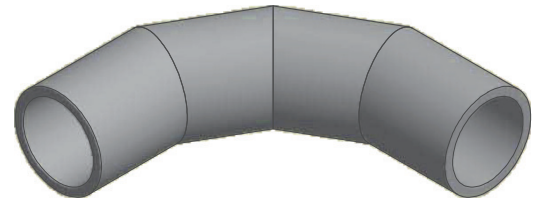


 	ITEM:	DESC: 90° ELBOW - LONG SPIGOT SDR 11		DRAWING No:	
	NG9011_MM			NI10206	
<small>C:\Vaul_Temp\Disegni\Corima\Tabelle\Niron\POLLICI_USA\Ng9011_MM.pdf - SDR 11\110206.dwg</small>		<small>SHEET OF</small> 1 3		<small>REV.</small> -4	
www.nupiamericas.com - info@nupiamericas.com		<small>All dimensions have to be considered in inches with 5% tolerance if not otherwise mentioned excluding values as per standard ASTM F2389</small>			

All right reserved - Drawing cannot be reproduced in anyway, failure todo so will entitle nupigeco to legal action. Information on this document are subject to change without notice



CODE	ND	S	L1	L	H	R
27NG9011315MMB	12" => 315 mm	1.13	11.81	30.43	36.63	18.62
27NG9011355MMB	14" => 355 mm	1.27	11.81	32.80	39.78	20.98
27NG9011400MMB	16" => 400 mm	1.43	11.81	35.43	43.31	23.62
27NG9011450MMB	18" => 450 mm	1.61	11.81	38.39	47.24	26.57
27NG9011500MMB	20" => 500 mm	1.79	13.78	43.31	53.15	29.53



NIRON



ITEM:
NG9011_MMB

DESC: 90° ELBOW - LONG SPIGOT SDR 11



DRAWING No:
NI10206

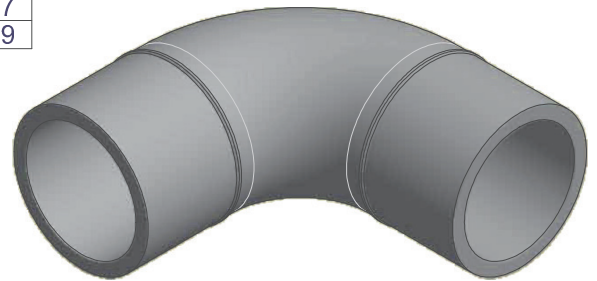
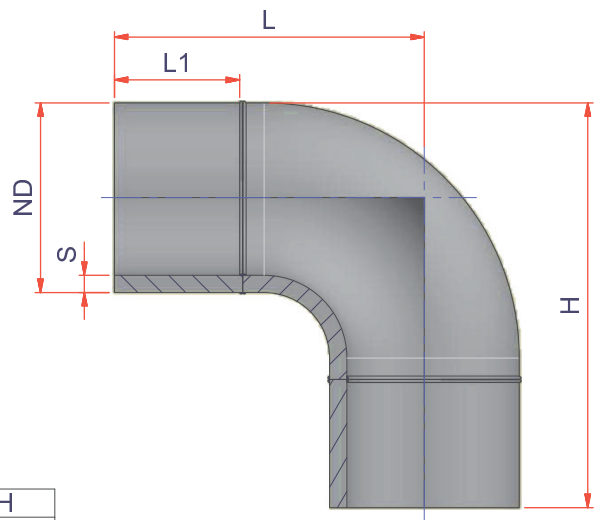
SHEET OF
2 3

REV.
-4

www.nupiamerica.com - info@nupiamerica.com

All dimensions have to be considered in inches with 5% tolerance if not otherwise mentioned excluding values as per standard ASTM F2389

All right reserved - Drawing cannot be reproduced in anyway, failure todo so will entitle nupigeco to legal action. Information on this document are subject to change without notice



CODE	ND	S	L1	L	H
27NG9011355MMC	14" => 355 mm	1.27	8.27	21.65	28.64
27NG9011400MMC	16" => 400 mm	1.43	11.81	25.39	33.27
27NG9011450MMC	18" => 450 mm	1.61	11.81	29.33	38.19

NIRON



ITEM:
NG9011_MMC

C:\Vauit_Temp\Disegni\Corima\Tabelle\Niron\POLL\CI_USA\Ng9011_MM.pdf - SDR 11\1102 06.dwg

DESC: 90° ELBOW - LONG SPIGOT SDR 11



DRAWING No:
NI10206

SHEET OF
3 3

REV.
-4

www.nupiamerica.com - info@nupiamerica.com

All dimensions have to be considered in inches with 5% tolerance if not otherwise mentioned excluding values as per standard ASTM F2389

All right reserved - Drawing cannot be reproduced in anyway, failure todo so will entitle nupigeco to legal action. Information on this document are subject to change without notice