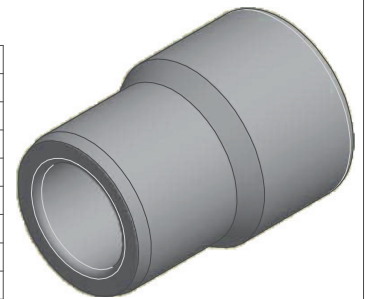
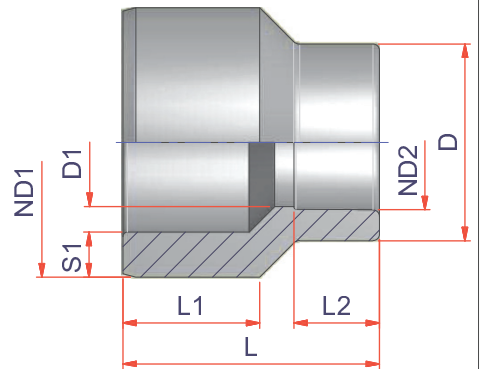


CODE	ND1	S1	ND2	D1	D	L1	L2	L
27NR2520	3/4" => 25 mm	0.17	1/2" => 20 mm	-	1.14	0.75	0.63	1.61
27NR3225	1" => 32 mm	0.21	3/4" => 25 mm	-	1.38	0.87	0.67	1.73
27NR4032	1" 1/4 => 40 mm	0.26	1" => 32 mm	-	1.81	0.98	0.79	1.97
27NR5040	1" 1/2 => 50 mm	0.33	1" 1/4 => 40 mm	-	2.21	1.10	0.87	2.17
27NR6350	2" => 63 mm	0.41	1" 1/2 => 50 mm	-	2.76	1.26	0.98	2.13
27NR7563	2" 1/2 => 75 mm	0.49	2" => 63 mm	-	3.27	1.42	1.14	2.91
27NR9075	3" => 90 mm	0.59	2" 1/2 => 75 mm	-	3.78	1.46	1.34	3.15
27NR11090	4" => 110 mm	0.72	3" => 90 mm	-	5.12	2.17	1.38	4.33
27NR125110	5" => 125 mm	0.82	4" => 110 mm	-	5.47	1.97	1.69	4.49



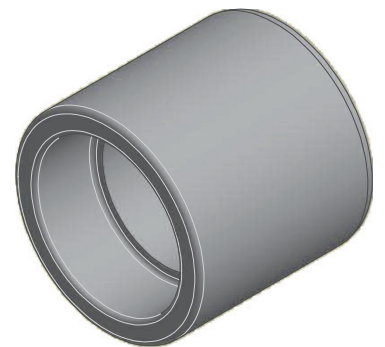
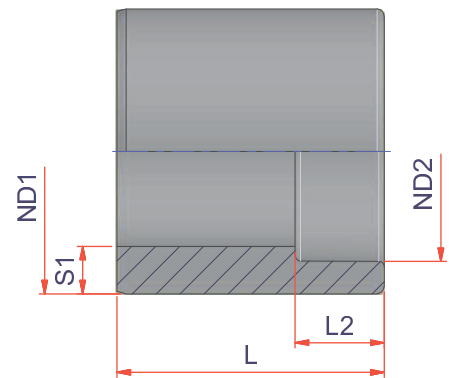
 	ITEM: <b>NR</b>	DESC: REDUCING BUSHING - SOCKET FUSION		DRAWING No: <b>NI10142</b>
	<small>C:\Vauli_Tempi\Disegni\Corinna\Tabelle\Niron\POLLICI_USA\Niron\polici\NI10142.dwg</small>			
<a href="http://www.nupiamericas.com">www.nupiamericas.com</a> - <a href="mailto:info@nupiamericas.com">info@nupiamericas.com</a>		All dimensions have to be considered in inches with 5% tolerance if not otherwise mentioned excluding values as per standard ASTM F2389		



CODE	ND1	S1	ND2	D1	D	L1	L2	L
27NR3220	1" => 32 mm	0.21	1/2" => 20 mm	0.63	1.06	0.87	0.63	1.52
27NR4020	1" 1/4 => 40 mm	0.26	1/2" => 20 mm	0.63	1.14	0.98	0.63	1.77
27NR4025	1" 1/4 => 40 mm	0.26	3/4" => 25 mm	0.83	1.38	0.98	0.67	1.77
27NR5020	1" 1/2 => 50 mm	0.27	1/2" => 20 mm	0.63	1.14	1.10	0.63	2.09
27NR5025	1" 1/2 => 50 mm	0.27	3/4" => 25 mm	0.83	1.38	1.10	0.67	2.09
27NR5032	1" 1/2 => 50 mm	0.27	1" => 32 mm	1.18	1.81	1.10	0.79	2.09
27NR6325	2" => 63 mm	0.41	3/4" => 25 mm	0.83	1.38	1.26	0.67	3.36
27NR6332	2" => 63 mm	0.41	1" => 32 mm	1.18	1.81	1.26	0.79	3.36
27NR6340	2" => 63 mm	0.41	1" 1/4 => 40 mm	1.46	2.21	1.26	0.87	3.36
27NR7520	2" 1/2 => 75 mm	0.49	1/2" => 20 mm	0.76	1.04	1.38	0.63	2.48
27NR7525	2" 1/2 => 75 mm	0.49	3/4" => 25 mm	0.98	1.30	1.34	0.35	2.44
27NR7532	2" 1/2 => 75 mm	0.49	1" => 32 mm	1.10	1.69	1.35	0.81	2.48
27NR7540	2" 1/2 => 75 mm	0.49	1" 1/4 => 40 mm	1.46	2.10	1.36	0.91	2.48
27NR7550	2" 1/2 => 75 mm	0.49	1" 1/2 => 50 mm	1.97	2.60	1.34	0.79	2.32
27NR11063	4" => 110 mm	0.72	2" => 63 mm	2.32	3.46	1.81	1.14	3.15



	ITEM:	NR	DESC: REDUCING BUSHING - SOCKET FUSION		DRAWING No:	NI10142
		<small>© Vauli Temp Diegni/Corima Tabellie/Niron/POLL/CI USA/N-poli/NI10142.dwg</small>			SHEET OF	2 3
<a href="http://www.nupiamerica.com">www.nupiamerica.com</a> - <a href="mailto:info@nupiamerica.com">info@nupiamerica.com</a>		<small>All dimensions have to be considered in inches with 5% tolerance if not otherwise mentioned excluding values as per standard ASTM F2389</small>				



CODE	ND1	S1	ND2	D1	D	L1	L2	L
27NR9063	3" => 90 mm	0.59	2" => 63 mm	-	-	-	1.10	2.83
27NR11075	4" => 110 mm	0.72	2" 1/2 => 75 mm	-	-	-	1.26	3.15
27NR12590	5" => 125 mm	0.82	3" => 90 mm	-	-	-	1.34	3.94
27NR160110	6" => 160 mm	1.05	4" => 110 mm	-	-	-	1.50	4.13
27NR160125	6" => 160 mm	1.05	5" => 125 mm	-	-	-	1.65	4.13

**NIRON**



ITEM: **NR**

DESC: REDUCING BUSHING - SOCKET FUSION



DRAWING No:  
NI10142

SHEET OF: 3 3  
REV: -3

www.nupiamerica.com - info@nupiamerica.com

All dimensions have to be considered in inches with 5% tolerance if not otherwise mentioned excluding values as per standard ASTM F2389

All right reserved - Drawing cannot be reproduced in anyway, failure todo so will entitle nupigeco to legal action. Information on this document are subject to change without notice