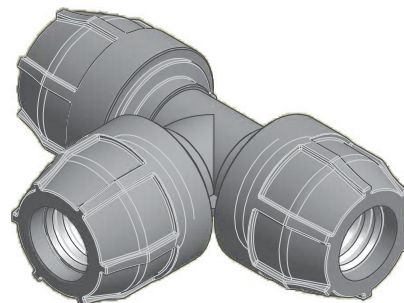





CODE	ND	L1	L2	L	H1	H
03NKT20	1/2" => 20 mm	2.07	2.68	5.35	2.68	3.60
03NKT25	3/4" => 25 mm	2.15	2.87	5.75	2.87	3.86
03NKT32	1" => 32 mm	2.46	3.43	6.85	3.43	4.65
03NKT40	1" 1/4" => 40 mm	3.15	4.25	8.50	4.25	5.98
03NKT50	1" 1/2" => 50 mm	3.54	4.80	9.61	4.80	6.89
03NKT63	2" => 63 mm	4.33	5.71	11.42	5.71	7.76
03NKT75	2" 1/2" => 75 mm	4.76	6.61	13.23	6.61	9.21
03NKT90	3" => 90 mm	5.67	8.15	16.30	8.15	11.08
03NKT110	4" => 110 mm	6.91	9.61	19.21	9.61	13.09



 	ITEM: NKT	DESC: 90° TEE - COMPRESSION FITTINGS		DRAWING No: NI10217	
	<small>C:\Vauli_Temp\Disegni\Comma\Tabella\Niron\POLLICI USA\COMPRESSI ONE\NKT.pol\01\NI10217.dwg</small>				SHEET OF
www.nupiamericas.com - info@nupiamericas.com	<small>All dimensions have to be considered in inches with 5% tolerance if not otherwise mentioned excluding values as per standard ASTM F2389</small>			1	1
					-1

All right reserved - Drawing cannot be reproduced in anyway, failure todo so will entitle nupigeco to legal action. Information on this document are subject to change without notice