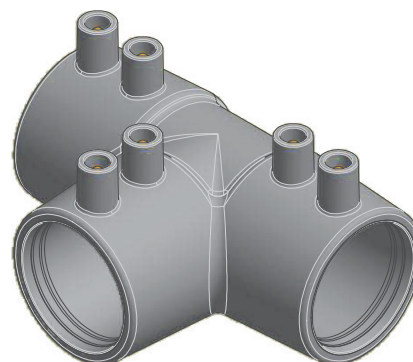





CODE	ND1	ND2	L1	L3	L	H1	H
27NTE090	3" => 90 mm	3" => 90 mm	2.66	5.28	4.72	4,72	7.17



 	ITEM:	NTE	DESC: ELECTROFUSION TEE SDR 11		DRAWING No:			
	<a href="http://www.nupiamerica.com">www.nupiamerica.com</a> - <a href="mailto:info@nupiamerica.com">info@nupiamerica.com</a>					NI10163	SHEET OF	REV.
<small>C:\Vaut_Tempi\Disegni\Corima\Tabelle\Niron\POLLICI_USA\Nte pollici\N10163.dwg</small>			<small>All dimensions have to be considered in inches with 5% tolerance if not otherwise mentioned excluding values as per standard ASTM F2389</small>			1	1	-2

All right reserved - Drawing cannot be reproduced in anyway, failure todo so will entitle nupigeco to legal action. Information on this document are subject to change without notice