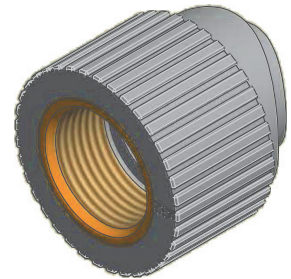
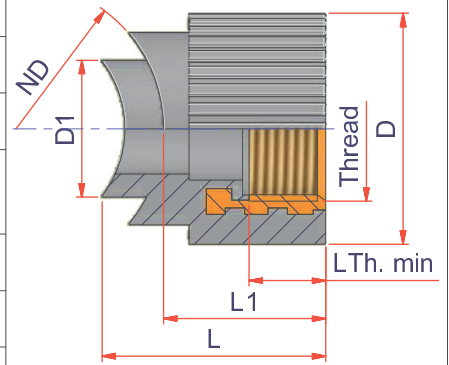


CODE	ND	Thread	L Thread min	D1	D	L1	L
27NGSF124050NPT	1" 1/4 = 40 mm 1" 1/2 = 50 mm	1/2" NPT	0.53	0.98	1.46	1.24	1.77
27NGSF126375NPT	2" => 63 mm 2" 1/2 => 75 mm	1/2" NPT	0.53	0.98	1.46	1.24	1.65
27NGSF1290110125NPT	3" => 90 mm 4" => 110 mm 5" => 125 mm	1/2" NPT	0.53	0.98	1.46	1.24	1.61
27NGSF12160200NPT	6" => 160 mm 8" => 200 mm	1/2" NPT	0.53	0.98	1.46	1.24	1.57
27NGSF12250315NPT	10" => 250 mm 12" => 315 mm	1/2" NPT	0.53	0.98	1.46	1.24	1.57
27NGSF12355630NPT	14"-24" => 355-630 mm	1/2" NPT	0.53	0.98	1.46	1.24	1.57
27NGSF344050NPT	1" 1/4 = 40 mm 1" 1/2 = 50 mm	3/4" NPT	0.55	0.98	1.65	1.32	1.85
27NGSF346375NPT	2" => 63 mm 2" 1/2 => 75 mm	3/4" NPT	0.55	0.98	1.65	1.32	1.73
27NGSF3490110125NPT	3" => 90 mm 4" => 110 mm 5" => 125 mm	3/4" NPT	0.55	0.98	1.65	1.32	1.69
27NGSF34160200NPT	6" => 160 mm 8" => 200 mm	3/4" NPT	0.55	0.98	1.65	1.32	1.65
27NGSF34250315NPT	10" => 250 mm 12" => 315 mm	3/4" NPT	0.55	0.98	1.65	1.32	1.65
27NGSF34355630NPT	14"-24" => 355-630 mm	3/4" NPT	0.55	0.98	1.65	1.32	1.65



NIRON



ITEM:
NGSF_NPT

C:\Users\Temesi\Desktop\Corrima\Tabelle\Niron\POLL\CI_USA\Ngsf_NPT.pdf o:\N10145.dwg

DESC: FEMALE SIDE FUSION WELDING
SADDLE W/NPT LEAD FREE BRASS
SDR 11



DRAWING No:

NI10145

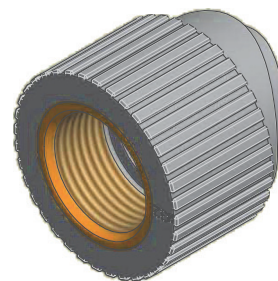
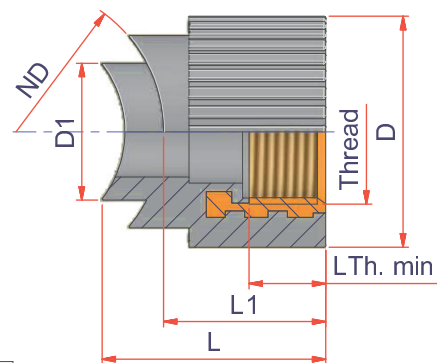
SHEET OF REV.

1 2 -3




www.nupi.americas.com - info@nupi.americas.com

All dimensions have to be considered in inches with 5% tolerance if not otherwise mentioned excluding values as per standard ASTM F2389

All right reserved - Drawing cannot be reproduced in anyway, failure todo so will entitle nupigeco to legal action. Information on this document are subject to change without notice



CODE	ND	Thread	L Thread min	D1	D	L1	L
27NGSF016375NPT	2" => 63 mm 2" 1/2 => 75 mm	1" NPT	0.66	1.26	2.13	1.50	2.05
27NGSF0190110125NPT	3" => 90 mm 4" => 110 mm 5" => 125 mm	1" NPT	0.66	1.26	2.13	1.50	1.97
27NGSF01160200NPT	6" => 160 mm 8" => 200 mm	1" NPT	0.66	1.26	2.13	1.50	1.91
27NGSF01250315NPT	10" => 250 mm 12" => 315 mm	1" NPT	0.66	1.26	2.13	1.50	1.89
27NGSF01355630NPT	14"-24" => 355-630 mm	1" NPT	0.66	1.26	2.13	1.50	1.89

 	ITEM:	DESC: FEMALE SIDE FUSION WELDING SADDLE W/NPT LEAD FREE BRASS SDR 11		DRAWING No:	
	NGSF_NPT			NI10145	
www.nupiamerica.com - info@nupiamerica.com	<small>C:\Users\Tempt\Desktop\Corrima\Tabelle\Niron\POLL\CI USA\Ngsf_NPT.pdf o\NI10145.dwg</small>			SHEET OF	REV.
				2 2	-3

All dimensions have to be considered in inches with 5% tolerance if not otherwise mentioned excluding values as per standard ASTM F2389