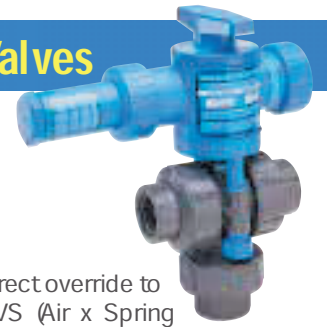


# SERIES TABV & TABR • 3-Way Air Actuated Ball Valves



## Series TABVA & TABRA – Air x Air Actuation Series TABVS & TABRS – Air x Spring Fail-Safe Operation

### Features:

- Rugged thermoplastic construction ideal for corrosive atmospheres.
- Long cycle life – extensively tested and proven.
- Lightweight assembly – less piping stress and lower shipping weight.
- Pre-assembled to 3-way ball valve.
- Can be hydraulically actuated.
- Manual override standard on air x air models and TABVS.

*Each valve and actuator is 100% individually inspected and tested prior to shipment*

### Installation:

Air x Air models require a 4-way air solenoid valve (Part # 8345G1); Air x Spring models require a 3-way air solenoid valve (Part # 8320G13) to control actuation. Compressed air should be filtered and lubricated.

### Manual Override:

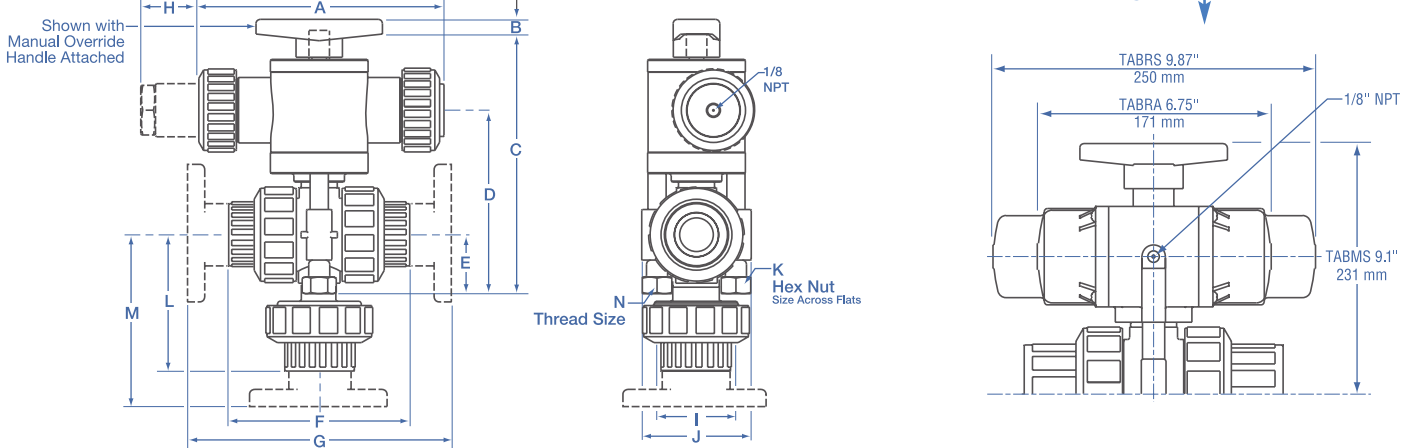
All 3-way Air x Air models have direct override to the ball valve shaft. Series TABVS (Air x Spring 1/2", 3/4", and 1") requires simple loosening of the spring prior to manual override. Series TABRS (Air x Spring 1 1/2" and 2") should be specified as TABMS if manual override is critical to the application.

### Materials of Construction:

Ball valves are available in Geon PVC and Corzan CPVC, with teflon seats. A 3-hole ball design is standard and prevents a momentary no-flow ("dead head") condition by briefly allowing flow from two ports. If liquids cannot be mixed, please consult factory for 3-way air actuated isolation valve. Seals are available in EPDM or Viton. For complete specifications on the 3-way ball element, please refer to Series TMBV.

Actuator is constructed of corrosion resistant thermoplastics. Seals are Buna-N. For optional materials, please consult factory.

Dimensional Table Below Applies To All TAB- Series Except As Shown At Right



### DIMENSIONS

Pipe Size	Air x Air ** Actuator w/Valve Part Number	A IN.	B IN.	C IN.	D IN.	E IN.	F IN.	G IN.	H IN.	I IN.	J IN.	K Hex IN.	L IN.	M IN.	N IN.
1/2	TABVA 050-	5.75	.6	5.6	3.9	1.5	4.13	6.5	2.8	1.75	2.6	5/8	2.75	3.75	1/4-20
3/4	TABVA 075-	7.3	.6	7.1	5.0	1.5	4.63	7.1	2.8	2.25	3.25	7/8	3.12	4.24	1/4-20
1	TABVA 100-	7.3	.6	7.8	5.55	1.9	5.60	8.0	2.8	2.5	3.3	7/8	3.87	5.12	1/4-20
1 1/2	TABRA 150-	See Above	.6	9.5	6.5	2.5	6.80	9.9	See Above	3.37	4.2	1	5.00	6.50	3/8-16
2	TABRA 200-	See Above	.6	9.5	6.5	2.5	8.00	11.2	See Above	3.37	4.2	1	5.56	7.18	3/8-16

\*\* For spring return simply change TABVA to TABVS or TABRA to TABRS and refer to "H" dimension. Manual override is standard on all but TABRS. For optional manual override on 1 1/2" and 2" Air x Spring, change "R" to "M". **NOTES:** TO COMPLETE THE MODEL NUMBER: 1) Add "V" for Viton seal or "EP" for EPDM seals 2) Followed by "T" for NPT threads or "S" for Schedule 80 Socket. 3) Followed by "PV" for PVC or "CP" for CPVC ball valve material.

### Specifications:

AIR x AIR			
Type	TABVA050	TABVA075/100	TABRA150/200
Ball Valve Size	1/2"	3/4" & 1"	1 1/2" & 2"
Air Pressure	20-50 PSI	20-50 PSI	30-50 PSI
Total Weight*	1 lb. 14 oz.	3 lbs. 12 oz.	5 lbs. 2 oz.

\*Includes 3-Way PVC Ball Valve.

AIR x SPRING			
Type	TABVS050	TABVS075/100	TABRS150/200
Ball Valve Size	1/2"	3/4" & 1"	1 1/2" & 2"
Air Pressure	50-80 PSI	50-80 PSI	60-80 PSI
Total Weight*	2 lbs. 3 oz.	4 lbs. 6 oz.	6 lbs. 2 oz.

\*Includes 3-Way PVC Ball Valve.

Cv FACTOR					
Size	1/2	3/4	1	1 1/2	2
Cv	4.0	8.0	13.0	38.0	39.0