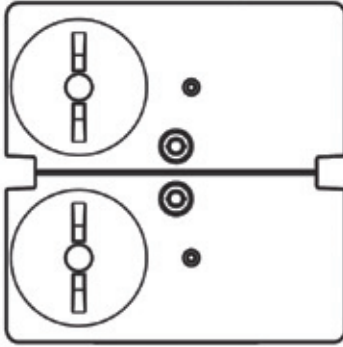
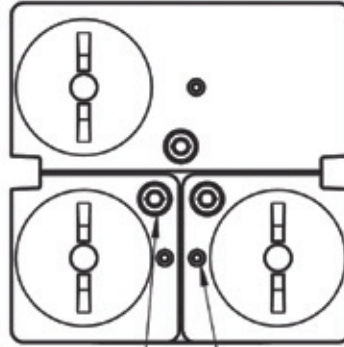


Assembly #1 PN 01-31895

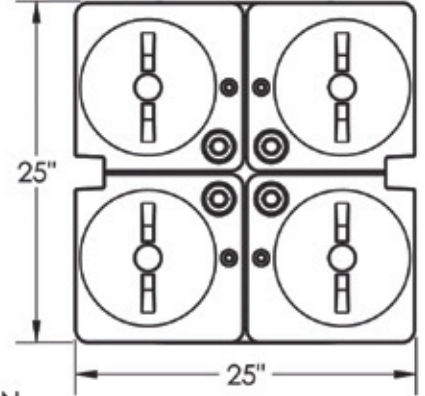


Assembly #2 PN 01-31896



SECONDARY TANK ACCESS      PUMP SUCTION CONNECTION

Assembly #3 PN 01-31897



**Assembly #1 PN 01-31895**

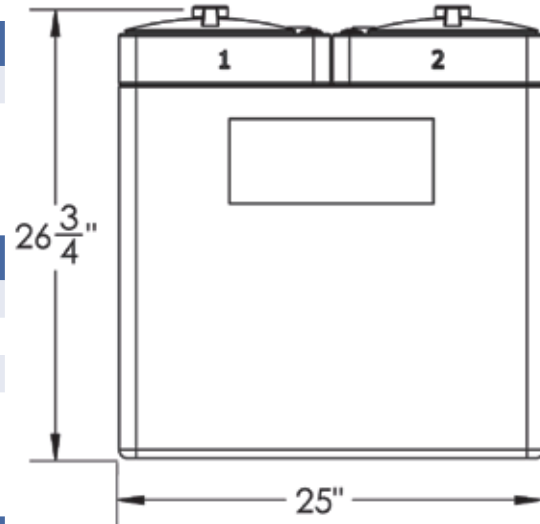
Individual MCU™ Items	Dia x Hgt	Wt (lbs)	Blue	Natural
Choose (1) Secondary Tank (Choose Color)	25" x 25" x 22"	36	01-31894	01-31901
Choose (2) 12 Gal (Choose Color)	12.5" x 6.25" x 24"	11	01-31891	01-31898

**Assembly #2 PN 01-31896**

Individual MCU™ Items	Dia x Hgt	Wt (lbs)	Blue	Natural
Choose (1) Secondary Tank (Choose Color)	25" x 25" x 22"	36	01-31894	01-31901
Choose (1) 12 Gal (Choose Color)	12.5" x 6.25" x 24"	11	01-31891	01-31898
Choose (1) 6 Gal Side 1 (Choose Color)	6.25" x 6.25" x 24"	7	01-31892	01-31899
Choose (1) 6 Gal Side 2 (Choose Color)	6.25" x 6.25" x 24"	7	01-31893	01-31900

**Assembly #3 PN 01-31897**

Individual MCU™ Items	Dia x Hgt	Wt (lbs)	Blue	Natural
Choose (1) Secondary Tank (Choose Color)	25" x 25" x 22"	36	01-31894	01-31901
Choose (2) 6 Gal Side 1 (Choose Color)	6.25" x 6.25" x 24"	7	01-31892	01-31899
Choose (2) 6 Gal Side 2 (Choose Color)	6.25" x 6.25" x 24"	7	01-31893	01-31900



Showing w/Optional  
MCU™ PumpDeck™  
PN 02-31940

**Optional items available for all Gemini<sup>2</sup> MCU™**

Description	Color	Part #
MCU™- PumpDeck™	Dark Gray	02-31940
ProChem™ ClamShell Funnel	Gray	02-31944

Showing w/Optional  
ProChem™  
ClamShell Funnel  
PN 02-31944

Assembly #3  
PN 01-31897



DISTRIBUTED BY



13435 Estelle Street, Corona, CA 92879 | ph: 951-734-7711 | fx: 951-734-4111  
Sales@etanks.com | www.etanks.com

© 2015 Peabody Engineering & Supply, Inc. All rights reserved. G2MCU082015 Romans 8:28