



Praher Valves Exclusive

CR4 True Union Inline Strainer with 690 Micron (26 Mesh) Corrosion Resistant PVC Screens

BODY: PVC, PP, PVDF*

SCREEN: PVC, PP, PVDF*

SIZES: 1/2" - 2" (DN15 to 50)

SEALS: EPDM or FKM (Viton)

ENDS: Socket, Threaded, Flanged

*Upon request

Description:

The new Praher CR4 Series Inline strainer is a safety filtration device designed to help protect piping system components from damage and entrap occasional solid impurities in the line. The 690 micron (26 Mesh) PVC (PP, PVDF) screen with patent pending deflection cone allows more than double the flow rate compared to commonly used Y-Strainers. Universal S4 insert, nuts and sockets allow interchangeability between Praher S4 ball and spring check valves without cutting the strainer out of the piping system.

Features:

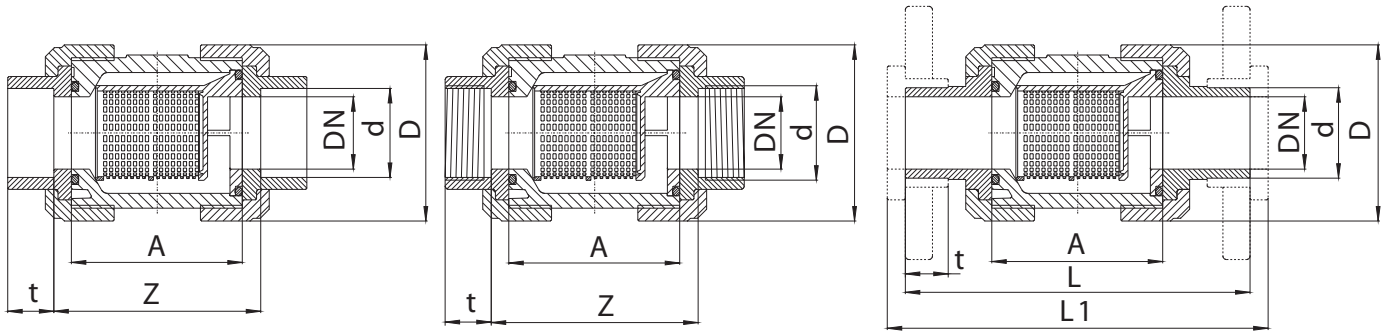
- Space saving design (1/2 the length of comparable Y-Strainer)
- Corrosion resistant thermoplastic components
- Standard light weight clear PVC body
- Excellent flow rates
- True Union design
- Modular design, interchangeable with other Praher S4 valve bodies
- All parts are easily replaceable including the body

Options:

- Housings in either PVC-clear, PP-beige, or PVDF-natural
- Custom sizes & materials available upon request



**Suitable for Sodium
Hypochlorite Service**

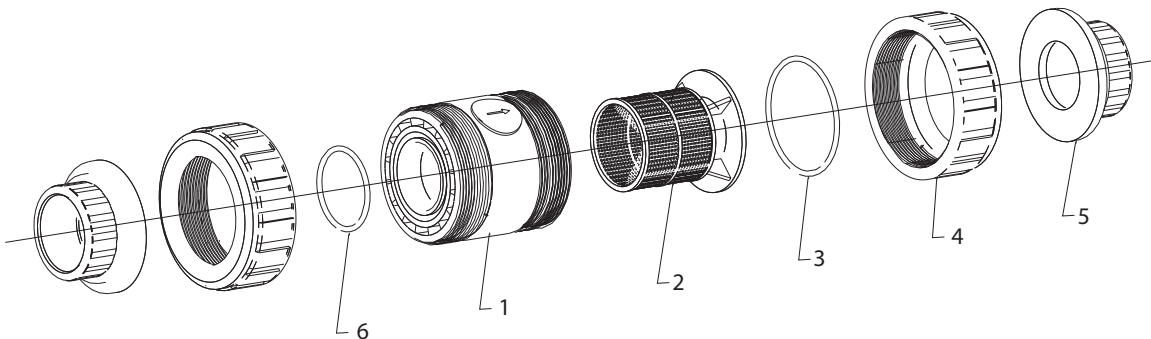


Size	d	DN	L	L1	Z	A	t	D
3/8"	16	10	4.49	4.72	2.66	2.44	0.65	2.09
1/2"	20	15	4.88	5.12	3.29	2.44	0.65	2.09
3/4"	25	20	5.67	5.91	3.13	2.76	0.86	2.48
1"	32	25	6.06	6.30	3.19	2.91	0.89	2.76
1-1/4"	40	32	6.85	7.09	3.54	3.31	1.04	3.35
1-1/2"	50	40	7.64	7.87	4.09	3.74	1.24	3.98
2"	63	50	8.82	9.06	4.76	4.29	1.52	4.78

DIMENSIONS: INCHES

Weights (LBS.)		
Size	Socket/ Threaded	Flanged
3/8"	0.75	1.13
1/2"	0.75	1.13
3/4"	0.75	1.27
1"	0.75	1.47
1-1/4"	2.75	3.77
1-1/2"	2.75	3.97
2"	2.75	4.55

Pressure Loss Rates		
Size	Cv at 20°C	PSI
3/8"	21	235
1/2"	21	235
3/4"	21	235
1"	21	235
1-1/4"	45	235
1-1/2"	45	235
2"	45	235



- Parts:
01. Body
 02. Filter
 03. O-Ring for cage
 04. Union Nut
 05. Socket or threaded ends
 06. Body O-Ring

Praher Canada Products Ltd.

Tel 705.725.1100
Fax 705.725.0444
101 Saunders Road
Barrie, Ontario, Canada L4N 9A7

www.praherplastics.com

Distributed by:



ISO 9001-2000



Proudly Manufactured in
North America and Austria

©Praher Canada Products Ltd. 2015
5-25-15-R1