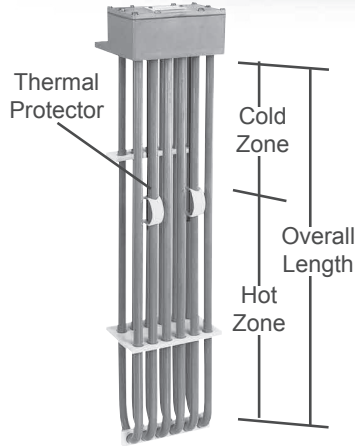




HEATERS



6HX SERIES, SIX ELEMENT FLUOROPOLYMER (PTFE) HEATERS					
WATTS	VOLTS	HOT ZONE In./(mm)	OVERALL LENGTH In./(mm)	MODEL NUMBER	SHIP WGT. Lbs./(kg)
2000	120	9	17	6HX2117-1**	19
	240	(229)	(432)	6HX2217-**	(8.6)
	480			6HX2417-**	
3000	240	15	23	6HX3223-**	22
	480	(381)	(584)	6HX3423-**	(10)
4000	240	21	29	6HX4229-**	24
	480	(533)	(737)	6HX4429-**	(10.9)
6000	240	28	35	6HX6235-**	27
	480	(711)	(889)	6HX6435-**	(12.2)
8000	240	38	47	6HX8247-**	33
	480	(965)	(1194)	6HX8447-**	(15)
10000	240	47	59	6HX10259-**	40
	480	(1194)	(1499)	6HX10459-**	(18.1)
12000	240	55	68	6HX12268-**	45
	480	(1397)	(1727)	6HX12468-**	(20.4)

Three phases standard. Single phase available as option. Add "-1" before thermal protector designator.

6HX Series Heater Features and Benefits

SUPERIOR CHEMICAL RESISTANCE:

- ◆ Inert to most aqueous acid, alkaline, anodizing and pickling solutions up to 212°F (100°C).

RUGGED CONSTRUCTION:

- ◆ Heavy wall fluoropolymer (PTFE) covered stainless steel element. Guaranteed 100% pinhole free.

OUTSTANDING PERFORMANCE:

- ◆ Low watt density design 10 watts/square inch (1.5w/cm²) uses minimal space and ensure long service life.

CORROSION RESISTANT HEAD:

- ◆ Vapor resistant, flame retardant polypropylene terminal enclosure with 3 ft (.9m) flexible PVC liquid tight conduit.

SAFETY FEATURES:

- ◆ Grounded internal metal element.
- ◆ Thermal protector built in. Replaceable P1 protector standard for solutions up to 180°F(82°C).
- ◆ Non-floating construction.

CERTIFICATIONS: cULus listed and CE compliant (except 600 volts).

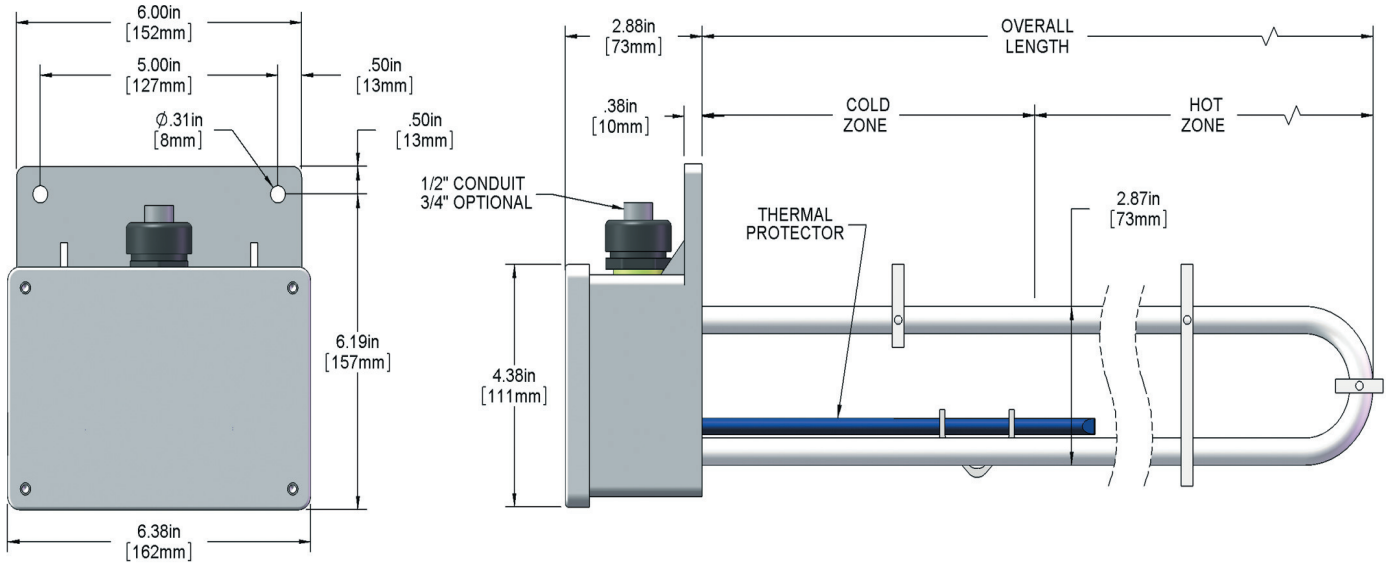
SIZES: 2,000 watts to 12,000 watts.

VOLTAGES: 120 to 600 volts.

OPTIONS AVAILABLE (consult factory):

- ◆ Resettable thermal protectors:
 - P2: For solutions up to 180°F(82°C)
 - P8: Type-J thermocouple for solutions up to 210°F(99°C).
 - P3: Type-J thermocouple for solutions up to 250°F(121°C).
- ◆ Polypropylene guards: Recommended for applications up to 180°F(82°C) (sold separately).
- ◆ Fluoropolymer (PTFE) guards: Recommended for chromic acid or solutions over 180°F(82°C) (sold separately).
- ◆ Special configurations and lengths.
- ◆ Longer wire and conduit lengths.
- ◆ Lower watt densities for highly viscous solutions and technical acids.
- ◆ Temperature and level controls sized to match the heater. (sold separately)

DIMENSIONS



SIX ELEMENT FLUOROPOLYMER (PTFE) HEATER ORDERING INFORMATION

Series	Wattage	Voltage	Overall Length	Options	Type of Protector	Wire and Conduit Length
	2 = 2000 3 = 3000 4 = 4000 6 = 6000 8 = 8000 10 = 10000 12 = 12000	1 = 120 2 = 240 3 = 380 4 = 480 5 = 415 6 = 600 7 = 400 8 = 208 9 = 220 0 = 200	17 = 2kW 23 = 3kW 29 = 4kW 35 = 6kW 47 = 8kW 59 = 10kW 68 = 12kW			36" length standard (no designator) specify variations from standard Ex: -X84 = 84"
	6HX = PTFE 6HF = 304 stainless steel					
	no designator = three phase power (standard) -1 = single phase power					
					Replaceable Protector P1 For solutions up to 180°F	
					Resettable Protector (additional control components required)	
					P2 For solutions up to 180°F P8 For solutions up to 210°F P3 For solutions up to 250°F	

ORDERING EXAMPLE:

6HX8247-P2

6 element, fluoropolymer, 8000 watts, 240 volt, 47" overall length, P2 thermal protector.

