



SERIES 'EF' | VERTICAL PUMPS



PTFE shaft vapor seal
Protects motor bearing from atmosphere

In or out-of-tank

Centrifugal
Quiet & vibration free.

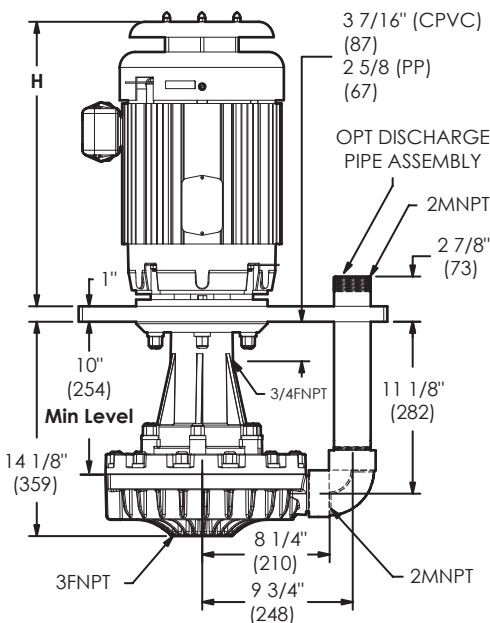
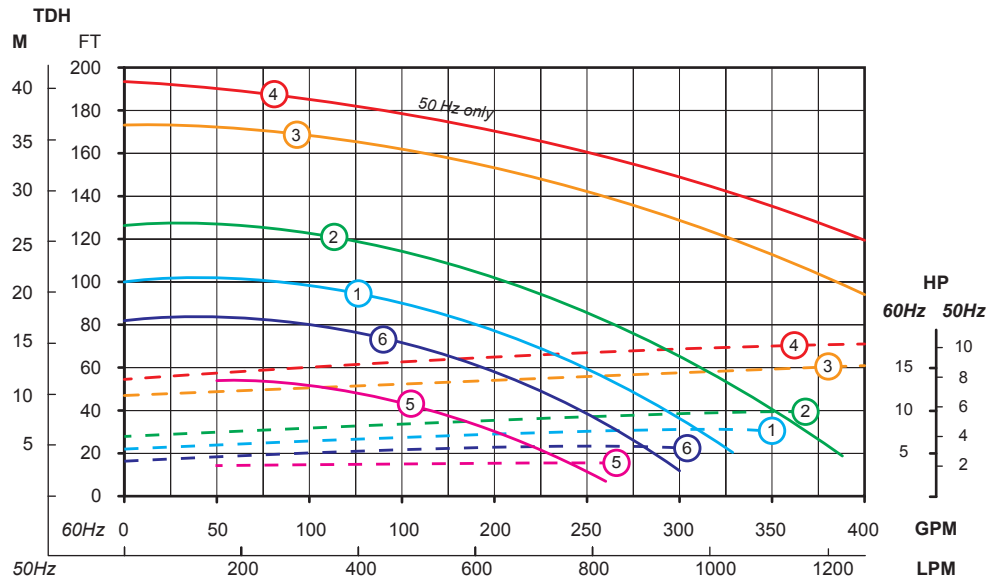
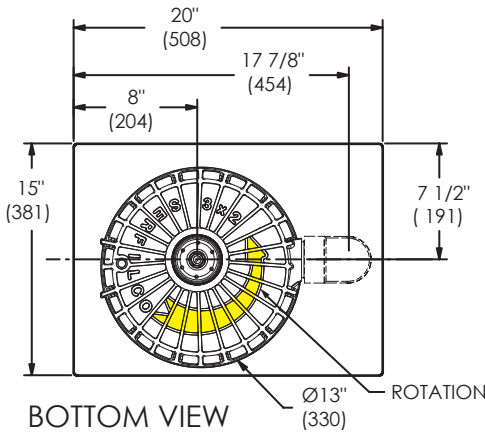
Chemical Duty Motor (7.5-15.0 Hp.)

Sealed oversized bearings, cast iron end bells, corrosion resistant two-part coating, & stainless steel nameplate.

400 U.S. GPM or 170 ft. TDH @ 60Hz

Non-metallic solution contact

High-temp PP, CPVC, or PVDF
(See chemical resistance guide T-102)



Voltage	HP (kW)	Dimensions: in. (mm)	
		H	
208-230/460/3/60 3450 rpm	7.5 (5.5)	15-5/16 (389)	18-3/8 (467)
	10/15 (7.5/11)		
208-230/460/3/60 1725 rpm	7.5 (5.5)	15-9/16 (395)	
220/380/440/3/50 190/380/3/50 2850 rpm	7.5 (5.5)	15-9/16 (395)	18-3/8 (467)
	10/15 (7.5/11)		
220/380/440/3/50 1450 rpm	7.5 (5.5)	15-9/16 (395)	

Dimensions are for reference only.
* Motor dimensions will vary with motor manufacturer.



Series 'EF' | Vertical Pumps

Order Information

For standard pump-motor combination, select model from table below.

Select flow curve number providing the desired performance, then match to Model # listed below.

Standard models include: EPDM elastomers (CPVC or PP) & Viton (PVDF).

Motor HP is non-overloading at full capacity for S.G. of 1.0.

Standard 60 Hz models						
Flow Curve	Model #	PCN	Model #	PCN	Model #	PCN
	CPVC		PP		PVDF	
1	EF3x2-1SC-D7.5	45-2011	EFP3x2-1SC-D7.5	45-2211	EFK3x2-1SC-D7.5	45-2411
2	EF3x2-2SC-D10.0	45-2022	EFP3x2-2SC-D10.0	45-2222	EFK3x2-2SC-D10.0	45-2422
3	EF3x2-3SC-D15.0	45-2033	EFP3x2-3SC-D15.0	45-2233	EFK3x2-3SC-D15.0	45-2433
5	EF3x2-5SC-H7.5	45-2054	EFP3x2-5SC-H7.5	45-2254	EFK3x2-5SC-H7.5	45-2454
6	EF3x2-6SC-D7.5	45-2061	EFP3x2-6SC-D7.5	45-2261	EFK3x2-6SC-D7.5	45-2461
Standard 50 Hz models						
1	EF3x2-1SC-D7.5-50	45-2015	EFP3x2-1SC-D7.5-50	45-2215	EFK3x2-1SC-D7.5-50	45-2415
2	EF3x2-2SC-D7.5-50	45-2025	EFP3x2-2SC-D7.5-50	45-2225	EFK3x2-2SC-D7.5-50	45-2425
3	EF3x2-3SC-D10.0-50	45-2036	EFP3x2-3SC-D10.0-50	45-2236	EFK3x2-3SC-D10.0-50	45-2436
4	EF3x2-4SC-D10.0-50	45-2046	EFP3x2-4SC-D10.0-50	45-2246	EFK3x2-4SC-D10.0-50	45-2446
5	EF3x2-5SC-H7.5-50	45-2057	EFP3x2-5SC-H7.5-50	45-2257	EFK3x2-5SC-H7.5-50	45-2457
6	EF3x2-6SC-D7.5-50	45-2065	EFP3x2-6SC-D7.5-50	45-2265	EFK3x2-6SC-D7.5-50	45-2465

* For custom pump-motor combinations please consult Serfilco sales department. (800) 323-5431

Options

Description	Add Suffix to Model	Add to PCN
Viton 'O'-rings installed: CPVC or PP pumps	-V	-V
EPDM 'O'-rings: PVDF pumps	-L	-L
PVDF impeller & shaft sleeve: CPVC pump For continuous operation above 180° F	-K	-K
Discharge hole in mounting plate	-MPH	-H
Alternate discharge location to match EHM2	-EHM	-M

Description	CPVC		PP		PVDF		
	Add Suffix To Model	Use Separate PCN	Add Suffix To Model	Use Separate PCN	Add Suffix To Model	Use Separate PCN	
Discharge pipe assembly	-DPA	45-1202	-DPAP	45-1202-PP	-DPAK	45-1202-K	
Suction strainer	Included		Included		-STK	45-1203-K	
Suction extension w/ strainer	12"	-K12	46-0081	K-12P	46-0081-PP	-K12K	46-0081-K
	24"	-K24	46-0082	K-24P	46-0082-PP	-K24K	46-0082-K
	36"	-K36	46-0083	K-36P	46-0083-PP	-K36K	46-0083-K