

Bourdon Tube Pressure Gauge Type 111.10, Black Plastic or Painted Steel Case Standard Series - Lower Mount

WIKA Datasheet 111.10

Applications

- Hydraulic and pneumatic systems
- Pumps, compressors, water systems, regulators
- Suitable for fluid medium which does not clog connection port or corrode copper alloy

Product features

- Copper alloy wetted parts
- Black plastic or painted steel case
- Lower mount (LM) process connection



Bourdon Tube Pressure Gauge Type 111.10

Specifications

Design

EN837-1 and ASME B40.100

Sizes (All sizes not stocked)

1½", 2", 2½" and 4" (40, 50, 63, and 100 mm)

Accuracy class

± 3/2/3% of span (ASME B40.100 Grade B)

Ranges (All ranges not stocked)

Vacuum/Compound to 30 "Hg (-1 bar) / 0/ 200 psi (16 bar)

Pressure from 15 psi (1 bar) to 6,000 psi (400 bar)

or other equivalent units of pressure or vacuum

Receiver scales 3...15 psi (0.2 ... 1 bar)

Working pressure

Steady: 3/4 of full scale value

Fluctuating: 2/3 of full scale value

Short time: full scale value

Operating temperature

Ambient: -40°F to 140°F (-40°C to 60°C)

Media: 140°F (+60°C) maximum

Temperature error

Additional error when temperature changes from reference temperature of 68°F (20°C) ±0.4% of span for every 18°F (10°K) rising or falling.

Pressure connection

Material: copper alloy

Lower mount (LM)

1/8" or 1/4" NPT

Bourdon Tube

Material: copper alloy

≤ 870 psi (60 bar): C-shape

> 870 psi (60 bar): Helical

Movement

Copper alloy

Dial

White plastic with stop pin (1½", 2", 2½")

White aluminum with stop pin (4")

Black or black and red lettering

Pointer

Black ABS plastic (1½", 2", 2½" LM)

Black aluminum (4" LM)

Case

Black plastic

Window

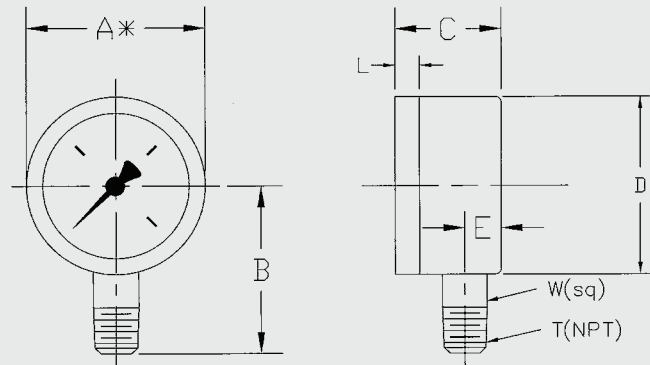
Crystal-clear plastic, snap-fit

Optional Extras

- Accuracy $\pm 2/1/2\%$ of span (ASME B40.100 Grade A)
- Slip-fit or friction ring
- Case with blowout plug
- Glass window (requires slip-fit or friction ring)
- Black painted steel case
- Stainless steel case
- Brass polished case and friction ring (2½" only)
- Special case colors
- Special connections (limited to wrench flat area)
- Cleaned for oxygen service
- Nickel plated connection
- Medical specification
- Rubber cover (2", 2½")
- Custom dial layout
- Other pressure scales available:
bar, kPa, MPa, kg/cm² and dual scales
- EN standards
- Red set pointer on aluminum dial or on snap-on window
- External adjust red drag pointer
(black steel - 2½" case only)

Note: 1 Press-fit brass restrictor standard for 111.10B, 1,000 psi to 6,000 psi

Dimensions



Type 111.10

Size		A	B	C	D	E	L	T	W
1.5"	mm	40	36	26	39	9.6	3.2		14
	in	1.50	1.42	1.02	1.54	0.38	0.13	1/8"	0.55
2"	mm	50	45	27	49	10	3.3		14
	in	1.97	1.77	1.06	1.93	0.39	0.13	1/4"	0.55
2.5"	mm	63	53.5	28	61.5	10	3.4		14
	in	2.48	2.11	1.10	2.42	0.39	0.14	1/4"	0.55
4"	mm	100	83.5	30	99	11.5	3.8		14
	in	3.94	3.29	1.18	3.9	0.45	0.15	1/4"	0.55

Type 111.10B (brass case version)

Size		A	B	C	D	E	L	T	W
2.5"	mm	63	52	27	61.5	9.5	10		14
	in	2.48	2.05	1.06	2.42	0.37	0.39	1/4"	0.55

Ordering information

Pressure gauge model / Nominal size / Scale range / Size of connection / Optional extras required
Specifications and dimensions given in this leaflet represent the state of engineering at the time of printing.
Modifications may take place and materials specified may be replaced by others without prior notice.



WIKAI Instrument Corporation

1000 Wiegand Boulevard
Lawrenceville, GA 30043
Tel (770) 513-8200 Toll-free 1-888-WIKA-USA
Fax (770) 338-5118
E-Mail info@wika.com
www.wika.com